

HP  
69-102 | MF3600

New Models in 4 Versions (V/S/F/GE)  
More Power, More Torque, More Response



VISION INNOVATION LEADERSHIP QUALITY RELIABILITY SUPPORT PRIDE COMMITMENT



MASSEY FERGUSON



## MF 3600 Series - revolutionised

Improved, enhanced and  
ready to work

A quiet revolution is taking place - Massey Ferguson's DNA has now been injected into the renowned MF 3600 Series specialist vineyard, orchard and specialist fruit tractors. Already making a significant difference to many customers businesses, a number of new upgrades and refinements have been introduced to the V/S/F & GE range – the MF 3640, 3650 and 3660 models – which further widen the gap between MF and competitor machines.

This rugged range has been put through its paces and tested to its limits by the people who count - our customers. Newly engineered and redesigned by Massey Ferguson, the MF 3600 Series is set to seriously change your mind.

At the heart of this new engineering is the latest generation of AGCO SISU POWER Common Rail Diesel engines, which provide the highly desirable combination of more power, reduced emissions and lower fuel consumption.

To further enhance the performance of these machines, new models have been augmented by new PowerShuttle transmission technology, incorporating the ever-popular SpeedShift facility.

This is a new era for machines in this horsepower sector. These rugged and highly developed tractors are already being recognised for their tough versatility and desire for hard work.

# MF 3600 Series: a version perfect for your business

Massey Ferguson's 3600 Series comprises five high quality specialist tractors, with spacious cab or semi-platform, in a variety of widths and profiles, and in 2- or 4-wheel drive options, to suit a host of highly specialised applications.

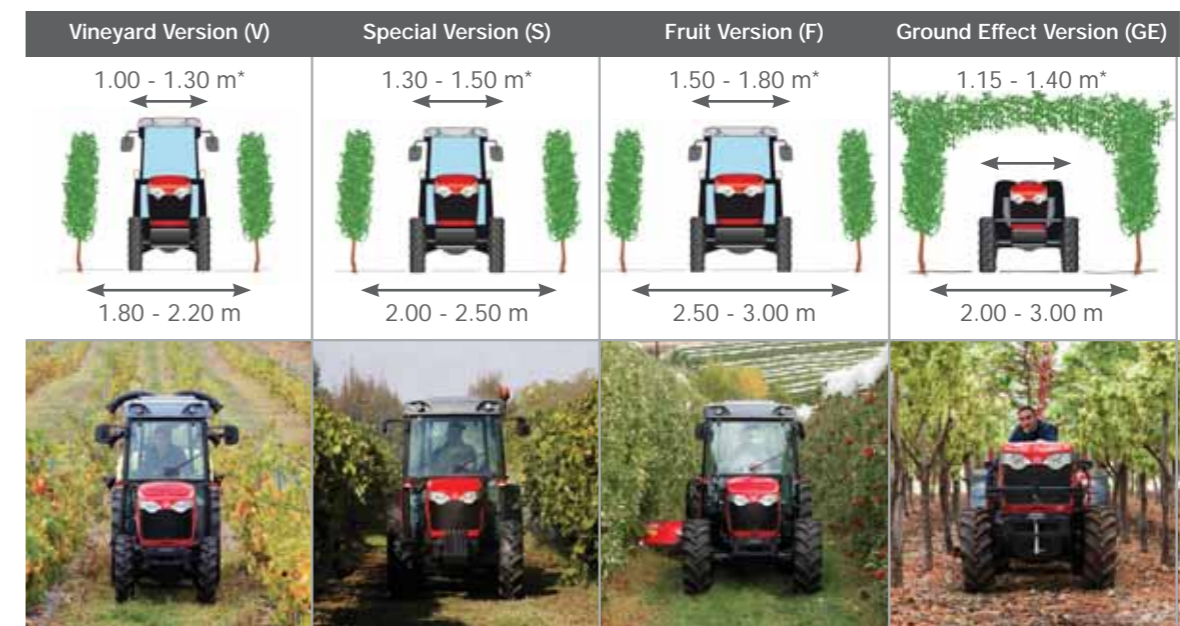


## Your new business partner

Whatever you produce; whether it's vines, olives, soft fruit or nuts, vegetables or flowers or if your sector is horticulture, you will soon discover that the MF 3600 Series will be the key to growing your business and producing the best possible crop.

Model	Versions	Horsepower
MF 3625	V/S/F/GE	69
MF 3635	V/S/F/GE	80
<b>NEW</b>		
MF 3640	V/S/F/GE	84
MF 3650	S/F/GE	94
MF 3660	S/F/GE	102

## How do we measure up?



\* Typical working width

### Vineyard Version (V)

From 1.0m width, tailor-made for traditional narrow vineyards, with 1.8m-2.20m row spacings between the vines.

### Special Version (S)

From 1.3m width, aimed at more open vineyards with 2.0m to 2.50m row spacings, with much-enhanced operator comfort in the larger cab.

### Fruit Version (F)

From 1.5m width, for more extensive vineyards and fruit orchards, this is a more substantial tractor with a wider front axle and the comfort that comes with the most spacious cab in its class. (The F can be set up specifically for mountain/livestock users needing a lower centre of gravity and low building access).

### Version GE

From 1.15m width, this low-profile model has been designed specifically to work under small trees, in polytunnels and in canopied vineyards.

# MF 3600 Series: Impressive features

01. Firstly, the cab is even more spacious and comfortable for the operator, with greater visibility, creating a working environment for maximum productivity.

02. More power from the new common rail engine; more response, more torque, less fuel used.

03. Select the transmission that best meets your individual needs, including the new generation of 24x12 PowerShuttle in combination with the tried and trusted SpeedShift.

04. New vertical exhaust pipe configuration providing optimum visibility for the operator as well as ensuring the best care for your produce.

05. Incredible manoeuvrability, thanks to its general design and Superturn front axle.

06. World-renowned 3-point linkage, with high lift capacity and, for added value Electronic Linkage Control (ELC) is available as an option.

07. Availability of up to five spool valves, two of which are joystick-controlled with rear-and mid-mounted couplers.

08. A full 62 litres/min of hydraulic flow available to handle the demands of a range of modern implements.

09. Refined PTO, requiring lower engine speed, for improved economy and less noise.

10. Back to basics - We took the MF 3600 Series and gave it a complete overhaul. New research and development plus intense field testing with customers has produced an impressive new range.



# The MF 3600 Series: **Responsive engine**

AGCO SISU POWER engines with common rail diesel engine technology, powers the three new MF 3600 models, giving you more power, more torque and even more responsiveness than ever...

“ Massey Ferguson engineers have worked hard to refine the efficiency of common rail diesel engine technology to meet the specific needs of these purpose-built tractors ”

For more than half a century, Massey Ferguson has led the way in developing innovative tractor engine technology and now, as an integral part of the global AGCO organisation, Massey Ferguson continues to support innovation and places AGCO SISU POWER engines in many of the tractors you see today.

Highly efficient, requiring less diesel and minimising exhaust emissions, the engines within each Massey Ferguson model are now the first choice for more and more farmers around the world.

The three-cylinder common rail engines specified on the MF 3640, 3650 and 3660 models are extremely compact in design, allowing the fuel tank capacity to be maximised for prolonged working hours.

In addition, the minimal size and economic layout of the power train significantly enhance the machine's dexterity and manoeuvrability.

Working closely with AGCO SISU POWER, Massey Ferguson engineers have worked hard to refine the efficiency of common rail diesel engine technology to meet the specific needs of these purpose-built tractors.

By calculating precisely the amount of fuel required by the engine at any given moment, the system ensures optimum combustion in the cylinders. Giving you a cleaner, more powerful and reliable engine.

## Benefits of common rail

### Less noise:

- The better quality of the combustion reduces the noise level of the engine

### Less vibration:

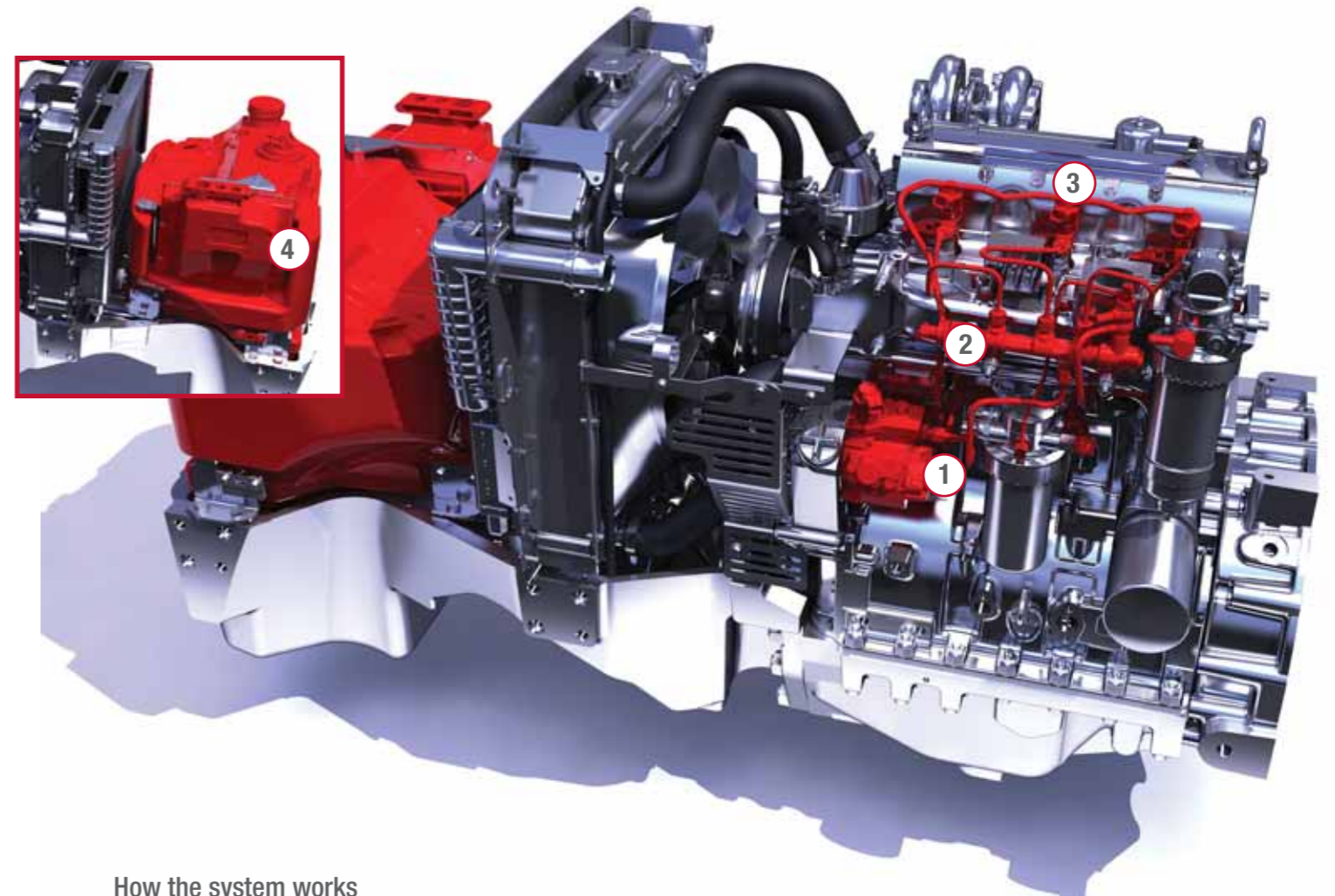
- Better combustion reduces engine shocks and vibration
- Improved ride comfort

### Less pollution:

- Stage 3A emission levels
- Protecting the environment and reducing operating costs
- Constant power between 1,800 and 2,200 rpm
- Allows you to throttle back and work at lower, fuel saving rpm

Impressive performance and excellent fuel economy from these engines delivers reduced fuel costs per hectare

# How does common rail diesel engine technology work?



## How the system works

Key common rail components include the supply pump (1), a `common rail` (2), an injector (3), sensors to detect running condition of the engine and an electronic control unit (ECU) (4) to control and maintain these devices.

The system injects fuel to the engine at much higher pressures than conventional fuel injection systems. High-pressure fuel from the supply pump is distributed to an injector mounted on each cylinder by means of the common rail, with fuel injection quantity and timing determined by controlling the injectors.

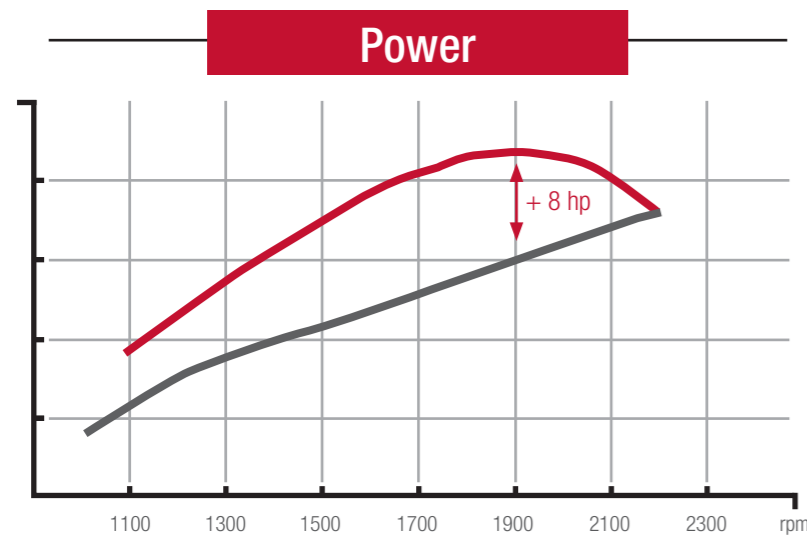
## Compared with conventional injection system characteristics, a common rail system has the following features:

- Injected fuel quantity and injection pressure are independent of each other, and are definable for each and every engine operating condition, allowing optimum air/fuel mix formation
- At the beginning of the injection process (during the ignition lag between the start of injection and the start of combustion), injected fuel quantities are very low
- A higher response rate and higher productivity: where a mechanical engine takes between 150-200 rpm to react, Common Rail engines only take 10 rpm to respond

## What does this mean for you?

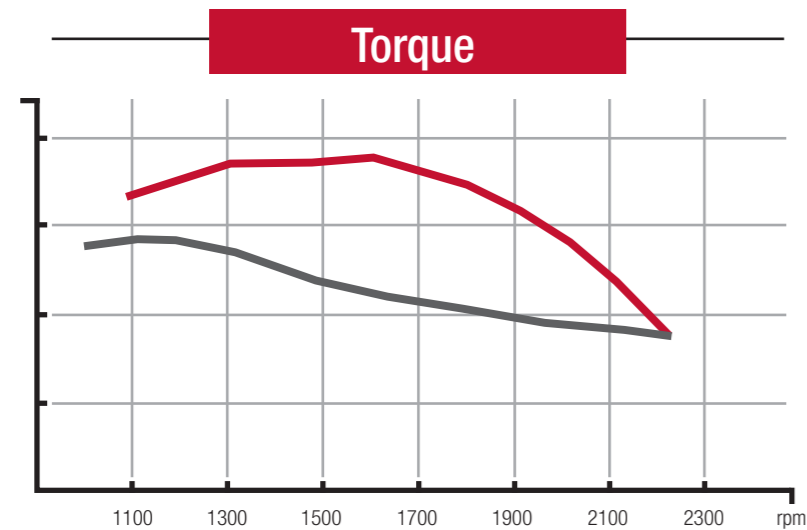
- Cleaner/lower emissions and higher outputs due to high-pressure injection
- More efficient combustion
- Improved fuel efficiency and economy
- Reduction in noise and emission due to injection rate control
- Improved performance due to increased flexibility in injection timing setting
- Faster and smoother acceleration
- Independent control of injection pressure in response to rotation and load
- Higher accuracy when using an implement at 540 PTO or 1000 PTO, the engine speed remains precise and constant

MORE POWER AND TORQUE. LESS FUEL CONSUMPTION.



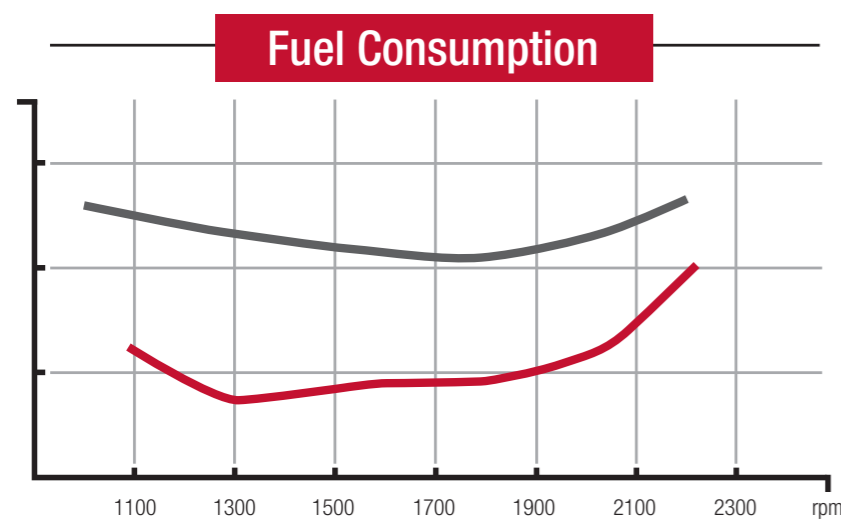
**Up to 5% more engine power**

- Highly responsive under all load and speed conditions
- Extending the engine working range to lower speeds for more power and productivity at outstanding fuel saving engine speeds



**Up to 13% higher torque**

- at lower engine speeds



**Lower fuel consumption**

- High pressure + fuel atomisation = More efficient combustion
- High pressure common rail (400-1350 bar) delivering exactly the same fuel pressure level at all of the injectors
- Better air/fuel metering - correct quantities at the right time

New MF 3660 — Previous MF 3655

All curves are examples of existing customer applications

# MF 3600 Engines: **The proof is in the testing**

It's a fact that these tractors have gone through some serious research and development. All new MF 3600 Series models fitted with the AGCO SISU POWER common rail engine developed more power and greater torque at a lower engine speed when compared to the previous models, together with lower fuel consumption. Testing took place by the people who can really prove the worth of these new machines: our customers and field test farmers.

**“Fuel consumption during transport operations on a 6.3 km road, with an 8 tonne trailer was 35.7% less on the MF than on the farmers’ previous, competitor tractor”**  
Taken during field tests in Spain

**“At PTO work with a mower, fuel consumption of the MF 3660 F was 35% less than the competitor tractor”**  
Taken during field tests in France

**“The working speed was 10 km/h with the MF 3660 when it was 8,8 km/h with a competitor tractor”**  
Taken during field tests in Germany





# The MF 3600 Series: **Efficient, powerful transmission**

A major step forward in transmission efficiency makes a significant difference to the performance of the new MF 3600 models, but that's only part of it...

Each of our transmissions offers efficiency, power and productivity, which goes without saying, but more importantly we offer you a choice.

A choice which means you can specify exactly what you want and what is right for your business. Whether you need minimum speeds for low power, low speed operations or maximum speeds for high powered applications such as transportation and PTO work.

The newly designed Powershuttle transmission combined with the common rail engine boosts efficiency and progressive power throughout the machine.

Central to the new transmission are three multi-disc, electronically-controlled wet clutches – two operate forward (SpeedShift high and low) and one in reverse.

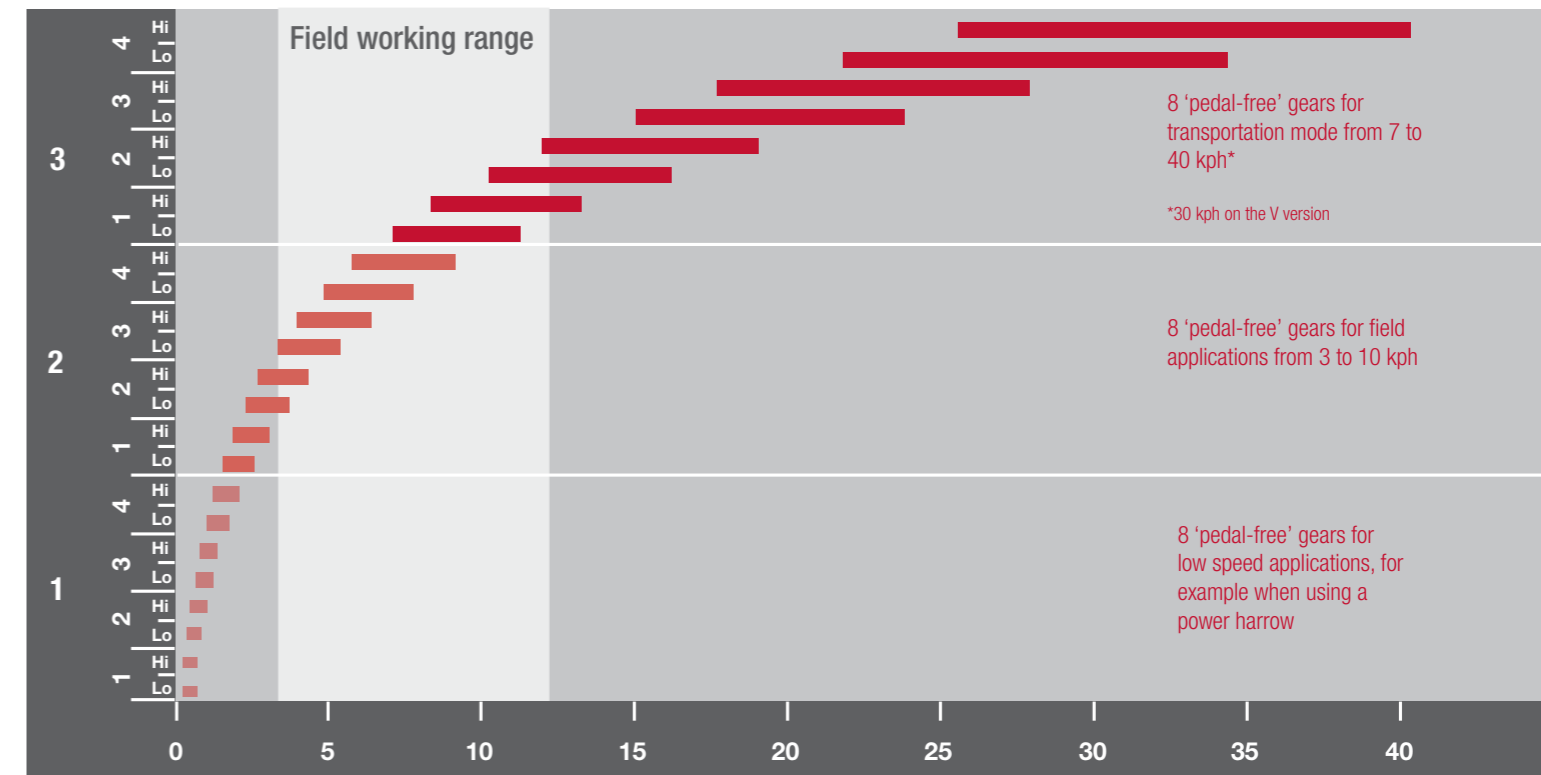
In the cab, the operator will appreciate the location of the SpeedShift control button, positioned on the gear lever for simplicity of use.

Reassuringly, the de-clutch button on the gear lever can be used to change gear mechanically, or when moving off or starting the tractor.

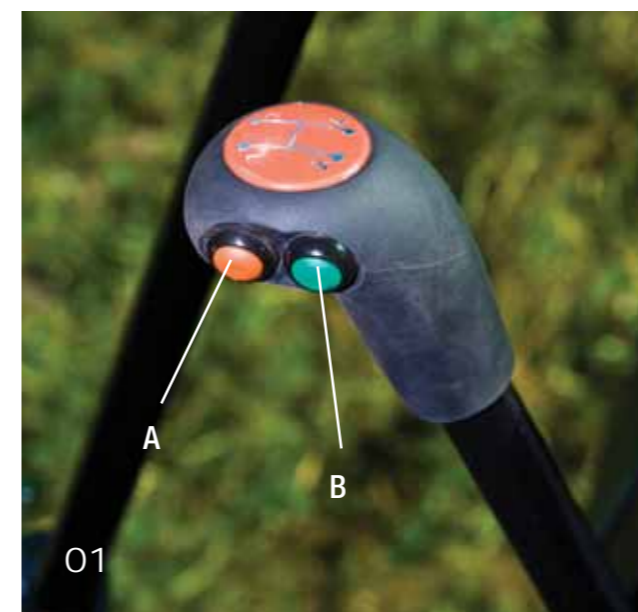
**Comfort control**  
Smooth or fast shuttling – the choice is yours – adjust the Comfort Control switch on the dashboard and you have the perfect tractor for PTO and loader work, ensuring that you are always in control whatever the application.

- 01. A - De-clutch.
- B - Speedshift
- 02. Comfort Control switch.

Transmission	3 ranges 4 synchro gears	Splitter	Shuttle
12x12	●	-	Mechanical
24x24 Mechanical	●	Mechanical	Mechanical
24x24 Speedshift	●	Electro-hydraulic	Mechanical
NEW 24x12 Powershuttle + Speedshift	●	Electro-hydraulic	Electro-hydraulic



24x12 SpeedShift gearbox speed chart



## Overall features and benefits

- Triple wet multi-disc clutches offer smoother performance and longer life
- Up to eight 'pedal-free' gears available!
- Increased efficiency and progressivity of the PowerShuttle
- More efficient in cold climates
- Ergonomically placed controls for easy operation
- Comfort-Control - exclusive to Massey Ferguson, this feature allows the operator to set the degree of 'aggressiveness' on the PowerShuttle to precisely match the requirements of the task in hand.
- All of these features combined makes the MF 3600 Series more responsive, more comfortable to drive and even easier to operate!



# The MF 3600 Series: **Operator area**

Looks can be deceiving: The MF 3600 Series is a compact machine so you would think there wouldn't be much room for comfort and manoeuvrability. Think again.



01

The cab of the MF 3600 Series is comfortable, spacious and ergonomically pleasing

### New cab features include:

- A spacious, airy working environment to keep you comfortable for longer
- Easy access to the cab, with more room around the seat, steering wheel and controls
- Superb all-round visibility, giving a clear view of implement operation
- The new cab roof has excellent upward and forward vision, along with a recessed sun visor
- Highly effective air-conditioning with air cleaning filter
- Lower noise levels
- Clear, well laid-out instruments and controls
- An arm-rest moulding to the right of the seat
- A 'radio-ready' cab
- Reinforced door frames
- New vertical exhaust will ensure that gases are directed away from precious crops such as grapes and hanging fruits. This new positioning of the exhaust also reduces noise levels within the cab for added driver comfort



02



03

The new MF 3600 Series cabs have been cleverly designed to provide the operator with levels of comfort, quality and ease-of-use not seen on other narrow tractors.



04

- 01.** Visibility is excellent, whatever the application.
- 02.** Memorise the engine revs and engage/disengage engine speed memory at the press of a button.  
- New electronic hand throttle and electronic linkage controls.
- 03.** Front mounted implement and loader operation is straightforward and comfortable thanks to the ergonomically designed controls.
- 04.** Simple forward/reverse control.

# The MF 3600 Series: Electronic Linkage Control

Continuing to boost productivity.

By introducing the optional Electronic Linkage Control system (ELC) productivity is enhanced and is sure to add value to the working day. This feature will enable customers to use their linkage system precisely and effortlessly.

Available on both cab and footstep versions, the new ELC system initiates faster, more accurate operations simply by the push of a switch.

This new system means that the repetitive action of lifting and lowering implements is significantly reduced, allowing for a more comfortable and productive day's work. Fender mounted switches allow for external operation of the linkage for quick and easy implement attachment. Controls are uniquely integrated into the armrest and are positioned ergonomically to ensure that the operator is within easy reach of all the controls.

The control panel houses all of the rotary switches including:

- Depth/Height of work
- Draft/Position/Intermix
- Rate of lowering
- Maximum lift height
- Rocker switch for neutral position for lifting and lowering
- Button switch for quick soil engagement

All rotary switches for the Electronic Linkage Control system are mounted under a hinged cover allowing access to less frequently used switches.

It also ensures that the linkage controls can be locked for safety.

- 01.** Electronic linkage controls.
- 02.** Hinged cover.
- 03.** Three-point-linkage.
- 04.** Rear fender ELC switches.



01



02



03



04



19

# The MF 3600 Series: **Driving change**

A new standard in manoeuvrability

For the tightest turns and the trickiest slopes, the latest MF 3600 Series models deliver, thanks to an incredible steering angle. The specifically-designed slim 'waisted' frame and oscillating front axle give these tractors extreme manoeuvrability – even in difficult conditions – allowing precision control when moving between rows of valuable crops. It is a simple, heavy-duty steering system giving the ultimate in performance.

### SuperTurn

An innovative system with a fully waisted front axle support casting equips the MF 3600 Series with the ability to make the tightest turns in complete safety. SuperTurn is highly efficient in all weather conditions.

### Loader work - no problem!

A range of modern, straightforward and functional loaders are available which work in harmony with the machine, integrating the most modern design and aesthetics.

Total functionality and agility combine with Massey Ferguson's renowned rugged build quality to create a family of specialist tractors destined to give many years of efficient, reliable service. The more manoeuvrable the machine, the easier it is to protect the quality and condition of the crop. Simple.

### Electro-Hydraulic control

You'll find electro-hydraulic control is the perfect feature when working in hilly or rough terrain.

It allows you to maintain excellent control of implements which can be moved between trees on both sides. Internal mechanically adjustable stabilisers are fitted as standard with the option of external telescopic stabilisers. The right-hand lift rod can be replaced with a hydraulic cylinder which is operated by a spool valve to provide lateral linkage levelling.

Linkage levelling can also be specified in combination with hydraulically adjustable internal stabilisers to provide the rear linkage with a side shift facility.

Electro-hydraulic control is specified when both linkage levelling and hydraulic stabilisers are combined with switches mounted at the rear of the right hand operator's console.

# The MF 3600 Series: **Straightforward serviceability and complete peace of mind**

**“Owning a Massey Ferguson tractor has never been simpler”**

### Fast, easy, routine maintenance

So, you've just taken delivery of your new MF 3600 Series tractor. What now?

You will soon be pleasantly surprised at the low running costs, the long intervals between servicing and the sheer scale and efficiency of the AGCO parts and service network.

The way the engine and key components have been designed and positioned allows easy access for routine maintenance. Periods between oil and filter changes have been extended. Owning a Massey Ferguson tractor has never been simpler.



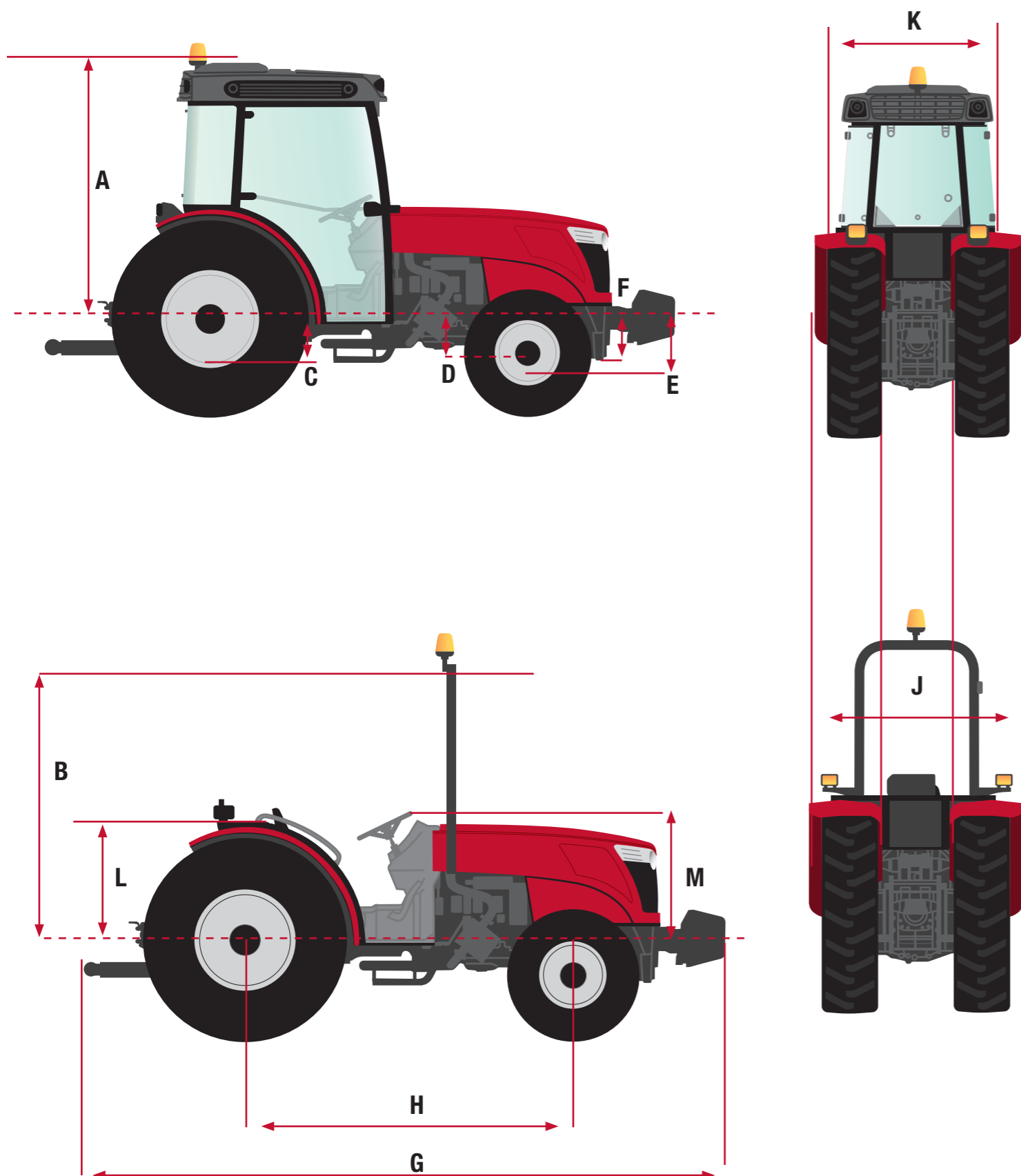
### The ultimate support option - **manager Service and Extended Warranty Plans**

For absolute assurance and protection, Massey Ferguson **manager** Service and Extended Warranty Plan is available for new equipment up to 12 months old, and cover is offered up to 5 years or 6,000 operating hours.

This provides you with all the benefits of the Service Plans; fixed costs only using genuine parts, maximum tractor efficiency and full dealer support. It also includes full Massey Ferguson Extended Warranty cover\* offering you the ultimate protection against the added uncertainties of unforeseen emergencies.

\* Subject to conditions

# The MF 3600 Series: **Dimensions**



**Dimensions - V, GE,S,F, (4WD)**

From rear axle centre line (mm)		V	GE	S	F
<b>Dimension</b>		<b>Cab</b>			
A	Cab height (Less beacon)				1715
C	Lowest point below rear axle				250
D	Centre line of front axle				210
E	Lowest point of front axle				330
F	Lowest point of front axle support				260
G	Overall length				3984
H	Wheelbase				2150
I	Internal fender width	450	520		600
J	External fender width	1000		1300	1450
K	External cab width	1000			1200
Additional height for warning beacon					200
<b>Dimension</b>		<b>Footstep</b>			
B	ROPS height (Less beacon)				1884
C	Lowest point below rear axle				250
D	Pivot point of front axle				210
E	Lowest point of front axle				330
F	Lowest point of front axle support				260
G	Overall length				3984
H	Wheelbase				2150
I	Internal fender width	450	520		600
J	External fender width	1000	1150	1300	1450
L	Rear fender height	730	605		730
M	Steering wheel min height	810	780		810

Additional height for warning beacon

Engine		MF 3625 V/S/F/GE	MF 3635 V/S/F/GE	MF 3640 V/S/F/GE	MF 3650 S/F/GE	MF 3660 S/F/GE
Max horsepower @ 2000 rpm * ISO TR14396	*ISO hp (kW)	-	-	84 (63)	94 (70)	102 (76)
Rated horsepower @ 2200 rpm		69 (51)	80 (59)	82 (61)	92 (68)	100 (74)
Torque	Nm	276	315	360	390	405
Water cooled, direct	make	AGCO SISU POWER				
Engine type		33DTA	33DTA	33CTA	33CTA	33CTA
Injection system		Mechanical	Mechanical	Common Rail	Common Rail	Common Rail
Aspiration		Turbo/Intercooled				
Capacity/ no. of cylinders	l/min	3.3/3	3.3/3	3.3/3	3.3/3	3.3/3
Horizontal Exhaust (V/S/F/GE - Right)		●	●	●	●	●
Vertical Exhaust (V/S/F/GE - Right)		○	○	○	○	○
Dual, dry element air cleaner		●	●	●	●	●

Transmission						
12F/12R Mechanical shuttle	2/4WD	●	●	●	●	●
24F/24R Mechanical shuttle	2/4WD	○	○	○	○	○
24F/24R Speedshift	2/4WD	○	○	○	○	○
24F/12R Powershuttle + Speedshift	4WD	○	○	○	○	○

Maximum speed: V - 30 km/h. GE, S, F - 40 km/h, dependent on wheels and tyres fitted. All 2WD - 30 km/h

Power take-off						
Operation and control		Independent, electro-hydraulic engagement/disengagement. Mechanical speed change.				
540 rpm @ 1938 engine rpm		● (semi-plat)	● (semi-plat)	● (semi-plat)	● (semi-plat)	● (semi-plat)
540/540E @ 1938/1648 engine rpm		● (cab)/ ○ (semi-plat)	● (cab)/ ○ (semi-plat)	● (cab)/ ○ (semi-plat)	● (cab)/ ○ (semi-plat)	● (cab)/ ○ (semi-plat)
540/1000 @ 1938/1962 engine rpm		○	○	○	○	○
Ground speed PTO		○	○	○	○	○

Linkage and hydraulics						
3-point linkage		Top link sensing. Cat. 1/2 linkage with fixed ball ends (hook ends optional)				
Linkage control		Mechanical with draft, position and rate-of-drop control				
Electronic linkage control		○	○	○	○	○
Max. oil flow @ 2200 rpm	litre/min ●	62	62	62	62	62
Max. pressure	bar	190	190	190	190	190
Levelling control, mechanical/hydraulic		●/○	●/○	●/○	●/○	●/○
Maximum lift capacity @ link ends	kg ●	2500	2500	2500	2500	2500

Auxiliary hydraulics						
Spool valves (rear) 276	●	2	2	2	2	2
	○	3	3	3	3	3
Spool valves (mid-mounted)	○	2	2	2	2	2
Right-hand front outlet & free return	○	2/4	2/4	2/4	2/4	2/4
Left-hand front outlets	○	2	2	2	2	2

● = Standard  
○ = Optional  
- = Not applicable/available

Steering	MF 3625 V/S/F/GE	MF 3635 V/S/F/GE	MF 3640 V/S/F/GE	MF 3650 S/F/GE	MF 3660 S/F/GE
Hydrostatic	●	●	●	●	●
Telescopic steering column (V, S, F & GE Cab)	○	○	○	○	○

Brakes					
Type/actuation	Oil-cooled disc brakes, hydraulic actuation				
Parking brake	Mechanical, independent of main brakes. Hand lever operated				
Hydraulic trailer brakes	○	○	○	○	○

Base equipment includes:	
Cab models	Rubber-mounted cab, analogue/digital instrument panel, tinted glass, opening rear window, cab heater, adjustable cloth-covered spring suspension seat with seat belt, front wash/wipe, 2 spool valves, 2 front and 2 rear work lights, aerial and speakers.
Semi-platform models	Adjustable vinyl-covered spring suspension seat with seat belt, 1 rear work light, 2-post folding safety frame.

Variable equipment includes:	
Cab models	Air conditioning, pneumatic seat, 2 mid-mounted front work lights, flashing beacon, front fenders, rear fender extensions, choice of drawbars/hitches, rear wipe.
Semi-platform models	Vinyl seat with seat belt

Base wheels and tyres	V	S	F	GE	
(A wide range of wheels and tyres are available. Please consult your local Dealer)					
Front	2WD ○	6.00R16	6.50R16	6.50R16	6.00R16
Rear	2WD ○	360/70R24	320/85R28	320/85R28	360/70R24
Front	2WD ○	6.50R16	7.50R16	6.50R16	6.00R16
Rear	2WD ○	320/85R28	340/85R28	380/70R24	380/70R20
Front	4WD ●	6.50R16	7.50R16	7.50R20	260/70R16
Rear	4WD ●	11.2R28	12.4R28	13.6R28	380/70R20

Track adjustments (with Base wheels and tyres)					
Front	2WD mm	986-1373	942-1342	1195-1364	935-1345
Rear	2WD mm	896-1296	976-1376	1142-1646	848-1154
Front	4WD mm	888-1006	1005-1071	1199-1427	983-1089
Rear	4WD mm	858-1258	976-1376	1224-1624	925-1139

Weights and dimensions *approximate, depending on tyres					
Weight - kg (4WD)	Cab	2750	2835	2975	2775
	Semi-platform	2550	2620	2760	2560
Length - including weight frame/links	mm	3984	3984	3984	3984
Width, minimum (4WD)*	mm	1000	1300	1450	1150
Width, maximum (4WD)*	mm	1616	1704	2076	1520
Height, over cab*	mm	2300	2300	2300	2250
Wheelbase (4WD)	mm	2150	2150	2150	2150

Capacities					
Fuel tank capacity, cab/semi-platform	litre	64	64	64	64



MASSEY FERGUSON  
3660 GE

# MF 3600 highlights

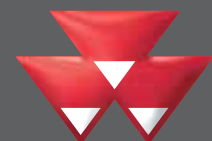
Here's a quick reminder of some of the advanced features of the MF 3600 Series tractors that further enhance their place firmly within the multi-application and specialist sector.

- 01 18 model versions to meet the needs of the most demanding applications and environments.
- 02 New Common Rail Diesel engines provide rugged power and torque characteristics with low emissions and excellent fuel economy.
- 03 Comprehensive range of transmission options including Speedshift and PowerShuttle and now the new 24x12 combines the best of both.
- 04 A range of tractor widths from 1000mm to 2400mm for maximum versatility.
- 05 Economy PTO providing reduced engine speed for improved economy, reduced wear and less noise.
- 06 Tight turning angles and short wheelbase provide excellent manoeuvrability in the field and around yards and buildings.
- 07 SuperTurn provides enhanced levels of manoeuvrability for V, S, F and GE tractors without the need for complex additional steering geometry.
- 08 Up to 62 ltr/min hydraulic flow available to meet the demands of a full range of modern implements and equipment.
- 09 Up to 5 spool valves available, two with joystick control plus rear and mid mounted couplers.
- 10 Semi-platform and Footstep versions with folding ROPS and horizontal exhaust for access into over-hanging crops and low buildings.
- 11 Upgraded, class-leading cab space and visibility for enhanced operator comfort and maximum productivity even on the narrowest tractors.
- 12 Compatible with Massey Ferguson 905 and 916 Loaders.

[www.masseyferguson.com](http://www.masseyferguson.com)



MASSEY FERGUSON is a worldwide brand of AGCO Corporation.  
© AGCO Limited. 2011 | A-English/15000/1011/5m



**MASSEY FERGUSON**