



The McCormick C-L and C-LC (T3) two- and four-wheel drive tractor series has been restyled adopting the simple and attractive new hood design with integrated rectangular headlights that is now used throughout the McCormick range of specialised tractors.

The C-LC models are powered by the new Perkins 1103D-33TA 3-cylinder Turbo Aftercooler engine and 1104D-44 4-cylinder naturally-aspirated engine delivering 68 and 74 HP, respectively.

Specially designed for farming applications with state-of-the-art technical solutions, the new Perkins engines meet the Tier 3 emission standards, while providing high power and torque levels with low operating costs.

With an excellent weight-to-power ratio of 37 kg/hp, the C-L model is ideal for general field work, as well as for PTO and transport applications.

The C-LC model, with its narrower axle and a tighter turning radius, is built to easily manoeuvre between rows of crops. This tractor family has been designed to incorporate efficient and cost-effective technical solutions, offering a perfect combination of ruggedness and reliability.

The transmission, with dual dry clutch and 12 forward and 12 reverse speed gearbox, features a fully synchronised mechanical reverse shuttle and can be optionally equipped with underdrive to achieve 24 forward and 24 reverse speeds. When the rear wet disc brakes are activated, the four-wheel drive is automatically engaged via a "spring-on" device, thus ensuring effective braking on all four wheels.

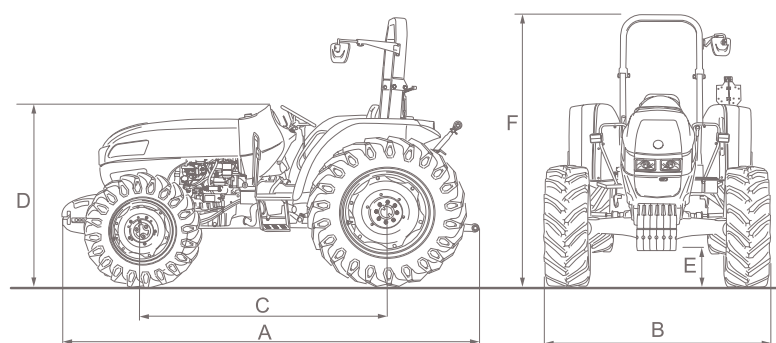
The roomy driving position, located on an iso-mounted platform and equipped with side gear levers confirms the accuracy of the tractor design.

The 65-liter tank, fitted between the engine compartment and the steering wheel, and the brake pedals hinged directly under the platform, give the C-L and C-LC models a typical utility tractor configuration.

The new C-L range will surprise you with its simple design and ergonomic comfort.

	C70 L (T3)		C80 L (T3)	
	C-L	C-LC	C-L	C-LC
ENGINE				
PERKINS DIRECT-INJECTION ENGINE (TIER 3)	1103D-33TA		1104D-44	
MAXIMUM POWER (ISO)	HP/KW	68 / 50	74 / 54,5	
MAX. TORQUE	NM	280	261	
NR. OF CYLINDERS/DISPLACEMENT	CM ³	3 / 3300 TURBO AFTERCOOLER	4400 / 4	
FUEL TANK CAPACITY	LT	65	65	
CLUTCH				
INDEPENDENT DRY DUAL CLUTCH	INCH	12	12	
TRANSMISSION				
SPEED FOUR + REVERSE SHUTTLE: 12FWD+12REV		●	●	
SPEED FOUR + UNDERDRIVE + REVERSE SHUTTLE: 24FWD+24REV		○	○	
MECHANICAL REVERSE SHUTTLE		●	●	
MECHANICAL REAR DIFF-LOCK		●	●	
POWER TAKE-OFF				
MECHANICALLY OPERATED BY LEVER		●	●	
2 SPEEDS 540/750 RPM		●	●	
1" 3/8 (34.9 MM) PTO SHAFT WITH 6 SPLINES		●	●	
GROUND SPEED PTO		●	●	
NET PTO POWER (ISO)	HP/KW	58,5 / 43	64 / 47	
4WD FRONT AXLE				
ELECTROHYDRAULIC 4WD ENGAGEMENT		●	●	
LIMITED SLIP DIFFERENTIAL LOCK		●	●	
MAX. STEERING ANGLE 4WD	DEGREES	55	48	55
MAX. STEERING ANGLE 2WD	DEGREES	56	—	56
BRAKES				
HYDROSTATIC CONTROL		●	●	
REAR WET GRAPHITE BRAKES WITH 10 DISCS		●	●	
AUTOMATIC 4WD ENGAGEMENT ON BRAKING		●	●	
HYDRAULIC POWER LIFT				
STANDARD LIFT CAPACITY	KG	2700	2700	
HYDRAULIC PUMP FLOW	LT/MIN	42 + 20	42 + 20	
CAT. 2 THREE-POINT LINKAGE		●	●	
AUXILIARY VALVES	STD / OPT	1 / 2	1 / 2	
DRIVING POSITION				
SEMI-PLATFORM		●	●	
ADJUSTABLE STEERING WHEEL		●	●	
SPRUNG SEAT		●	●	
ANALOG INSTRUMENTS		●	●	
REAR FOLDING ROPS		●	●	
WEIGHTS AND DIMENSIONS WITH TYRES				
A - LENGTH 2WD AND 4WD (WITH BALL AST WEIGHTS)	MM	4068	380/70R28	420/70R30
B - MINIMUM WIDTH	MM	1888	1766	1888
C - WHEELBASE 2WD	MM	2043	—	2155
C - WHEELBASE 4WD	MM	2030	2030	2147
D - HEIGHT TO STEERING WHEEL	MM	1585	1530	1585
E - GROUND CLEARANCE	MM	400	345	400
F - HEIGHT TO ROPS	MM	2505	2450	2505
WEIGHT 2WD (WITHOUT BALL AST WEIGHTS)	KG	2510	—	2550
WEIGHT 4WD (WITHOUT BALL AST WEIGHTS)	KG	2710	2680	2780

Key: ● standard ○ option — not available



NEW

70 - 80 (T3)

C-L

C-L | C-LC




McCORMICK



New **C-L** and **C-LC (T3)**
utility tractors, **perfect** for
orchard and open-field work.

Perkins®

Diesel Power

TURBO NEW
AFTERCOOLER
TIER 3 - 4 cylinders

ENGINE

The new Perkins 1103D-33TA 3-cylinder Turbo Aftercooler engine and 1104D-44 4-cylinder naturally-aspirated engine deliver 68 and 74 HP, respectively.

Specially developed for farming applications, these new engines incorporate state-of-the-art solutions designed to optimise the air-fuel mixture, thereby improving combustion and engine efficiency. Higher horsepower and torque with lower operating costs are thus achieved.

The forward tilting hood provides easy access to the engine compartment for routine service and maintenance (*Fig. A*)

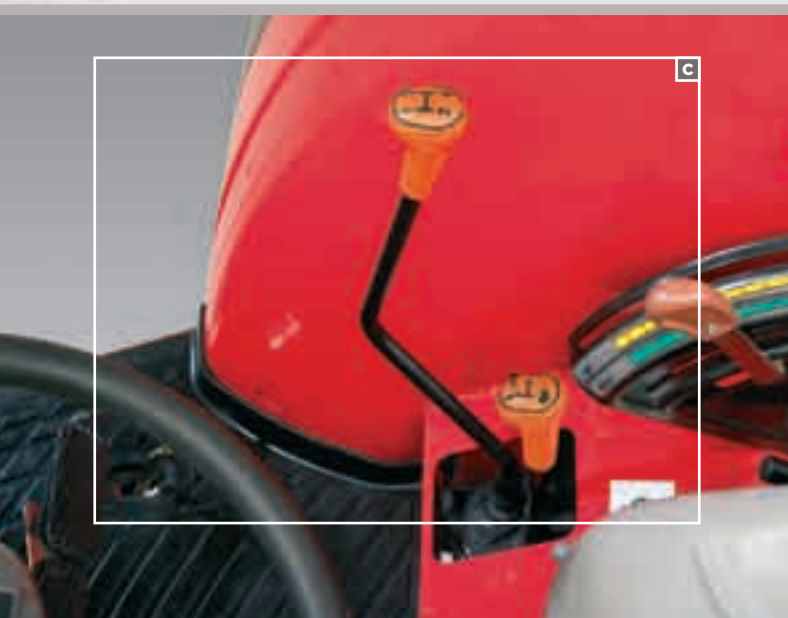
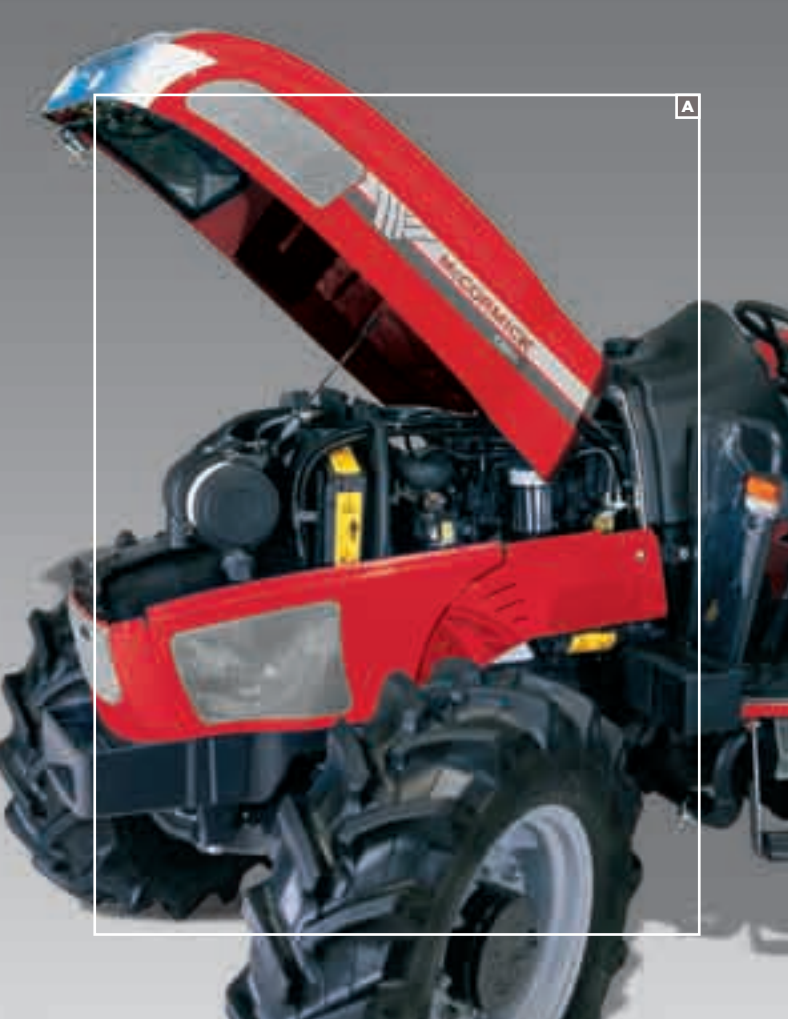
FRONT AXLE

The C-L range offers two 4WD front axle options: a large axle for the C-L model and a narrow axle for the C-LC model offering respectively a steering angle of 55° and 48° for excellent manoeuvrability and improved ground clearance (*Fig. B*). When the rear wet disc brakes are operated, the four-wheel drive is automatically engaged via a “spring-on” device, thus ensuring effective braking on all four wheels. Both options are equipped with limited slip self-locking differential. The C-L version is also available with two-wheel drive.

TRANSMISSION

The basic transmission offers 12 forward and 12 reverse speeds and can be optionally equipped with an underdrive providing a total of 24 forward and 24 reverse speeds. The underdrive allows a wide range of speeds to be achieved, from a minimum of 520 m/h to a maximum of 38 km/h.

The gear levers on the driver's right, the reverse shuttle lever on the driver's left and the speed and range levers are all rationally-arranged in ergonomic position for enhanced driving comfort (*Fig. C*).







**McCormick C-L and C-LC (T3):
all-round versatility.**

DASHBOARD

The dashboard features analog instruments for simple and fast reading and provides the operator with real-time information for proper tractor operation (Fig. D).



POWER TAKE-OFF

The mechanically-operated clutch lever (Fig. F) enables smooth and progressive engagement of the PTO.

The 1 3/8-inch rear PTO provides, in addition to the ground speeds, two base speeds of 540/540Eco rpm for maximum versatility (Fig. E).

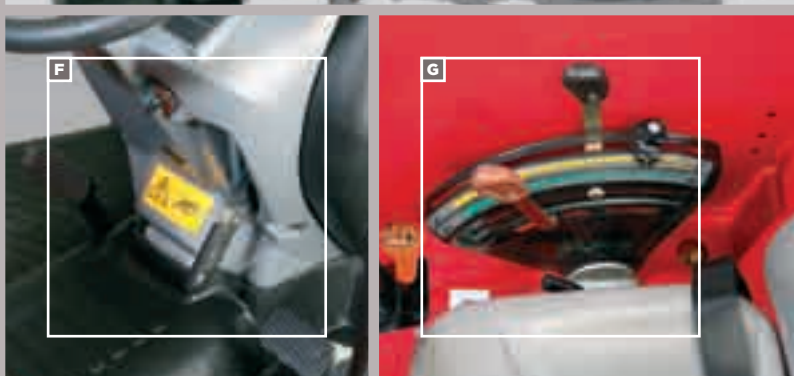


HYDRAULICS

The hydraulic system provides a maximum total flow of 62 l/min.

Equipped with Cat. 2 three-point linkage (Fig. E-G), the power lift provides position, draft, intermix and float control functions, while ensuring a maximum lifting capacity of 2700 kg.

The C-L tractors feature one standard and two optional simple- and double-acting auxiliary valves.



DRIVING POSITION

Located on an iso-mounted platform, the driving position is roomy and comfortable.

The fully adjustable sprung seat, the hydraulic steering, the adjustable steering wheel and the gear levers ergonomically arranged on the driver's side maximise the driving comfort (Fig. H). The two-post ROPS can be optionally equipped with a sun canopy.

