

COUNT ON YOUR DEUTZ-FAHR DEALER FOR PARTS & SERVICE



Service Your Equipment at Your Deutz-Fahr Dealer

A far cry from the simple machines of just a few years ago, today's tractors are complicated pieces of engineering. Your Deutz-Fahr dealer has factory-trained technicians, special tools, diagnostic equipment and the original parts necessary for keeping your machine running right. Protect your investment by working with your Deutz-Fahr dealer.



This printed material is designed for international use. The illustrations it contains show both special equipment and incomplete standard equipment. The availability of some illustrated models, standard and special equipment can vary from country to country. Only the dealer's price list stipulates whether such illustrated equipment is included as a standard feature or whether it is a special accessory. In addition the illustrated mounted implements and special accessories may not always comply with the respective statutory regulations. It is the responsibility of the customer – after consultation with the dealer – to verify this, taking the operating instructions into account. All information and illustrations in this brochure are subject to correction; errors excepted. Furthermore all information contained in this brochure is not binding and is subject to modifications of a technical and commercial nature or those resulting from statutory regulations. No claims whatsoever can be derived from these. SAME DEUTZ-FAHR DEUTSCHLAND GmbH reserves the right to make any changes to the design and technical construction and also the scope of standard equipment at any time and without prior notice.
Order no.: 106-10-01

**SAME DEUTZ-FAHR NORTH AMERICA Inc., 3883 Steve Reynolds Blvd., Norcross, GA 30093 USA
1-800-965-4256; www.deutzfahrusa.com**



EVOLVING AGRICULTURE.

AGROKID 210-230 BRO3 (1-08) Litho in USA

AGROKID 210 • 220 • 230



AGROKID. THE GO-ANYWHERE, DO-ANYTHING WORKHORSE



Deutz-Fahr's Agrokid 210–230 Series is a highly versatile, small-scale group of tractors. Developed especially for maneuvering through tight spaces, these 4-wheel drive tractors feature a tight turning radius of just 102 inches (2.6 m).

Quick and agile, Agrokid has a maximum speed of 18.6 mph (30 km/h). Its integrated drives, high traction and a wide range of implement mounting options give this highly adaptable series of tractors year-round capabilities.

New Cab Option

The optional cab (available for 220 & 230 models only) vastly improves operator working conditions for work in virtually any weather. It is equipped with heating and air conditioning a standard equipment.

FEATURES

- ▶ High-performance hydraulic system with a lift capacity up to 2,645 lbs. (1200 kg)
- ▶ Rear-, mid- and front PTOs,

3-point hitch

- ▶ PTO clutch independent of transmission
- ▶ Two standard remote valves

- ▶ Rear PTO with 540/540E rpm
- ▶ Mid PTO: 2000 rpm
- ▶ Front PTO: 1000/2000 rpm



Loader and Backhoe Options

Designed specifically for the Agrokid Series, these loaders feature a maximum lift height of 105 inches and a lift capacity of 1,950 pounds (886 kg) with a ground breakout force of 2,800 pounds (1272 kg).

The joystick-operated loader control valve, featuring an internal regenerative bucket circuit, is conveniently located on the steering wheel for precision operation.

Deep Digging Power

Dig fast, dig deep — up to 7.8 feet (2.4 m), with the backhoe attachment, which features dedicated hydraulic valves with dual-plus axis levers, ORFS fittings throughout and heavy duty swing frame. Four sizes are available: 10-, 12-, 16- and 20 inches.

EASILY ACCESSIBLE. EASY TO OPERATE AND MAINTAIN.



Agrokid's operator's station is spacious and efficiently designed.

These tractors are all about efficient operation. They feature super quiet Mitsubishi 4-cylinder engines with horsepower ranging from 35 to 47 hp (26–35 kW). The 10-gallon (38 L) fuel tank accommodates one-third more fuel than other comparable tractors.

The robust, synchronized 12 x 12 shuttle transmission saves time when turning and maneuvering, and the rear- and mid PTOs can be synchronized with traveling speeds. The center-pivoting front axle provides high ground clearance.



Tight, 102-inch (2.6 m) turning radius.



Adjustable, ergonomically designed seat.

Power and Performance

The optional front PTO operates attachments at 1000 rpm independently of the rear- or mid-PTO.

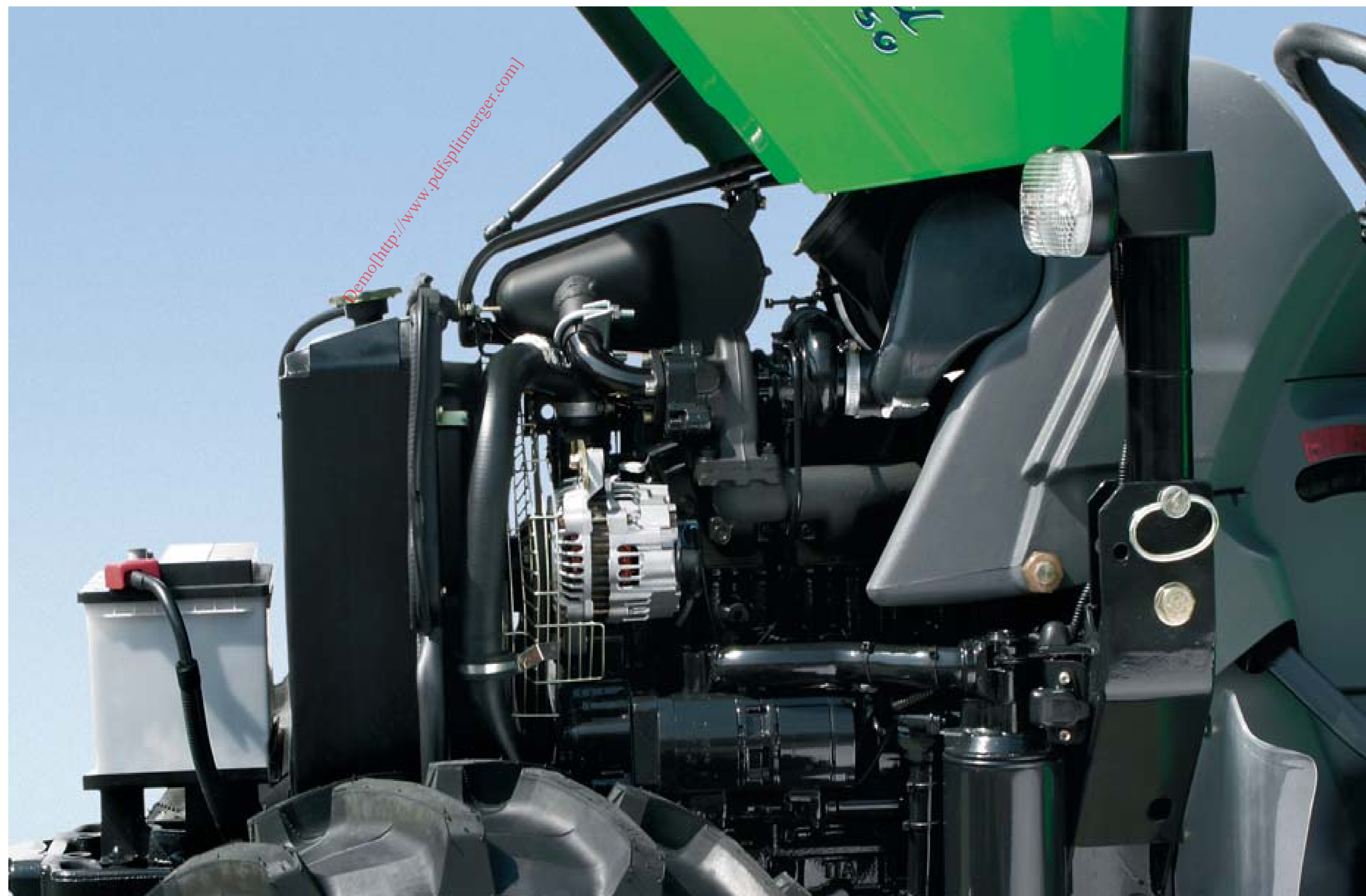
The rear 3-point hitch has a lift capacity of 2,646 pounds (1200 kg), as well as dual remotes. Front lift hitch capacity is 880

FEATURES

- ▶ Economical, powerful engines
- ▶ Comfortable, ergonomically designed operator's station
- ▶ Cab features unobstructed views, air conditioning
- ▶ Precise hydraulics with position, draft and mix control
- ▶ Center-pivoting front axle
- ▶ All-wheel drive with differential lock on both axles



Easily accessible controls are centrally located to minimize distraction, simplifying implement operation.



The powerful cooling system is easy to clean due to the wide opening angle of the hood.

pounds (400 kg). Agrokid tractors also feature an independent hydraulic system for the power steering system ensuring excellent maneuverability even at low speeds.

Reliable Braking

The oil-immersed, triple disc brakes on the rear wheels guarantee positive, dependable braking under all conditions.

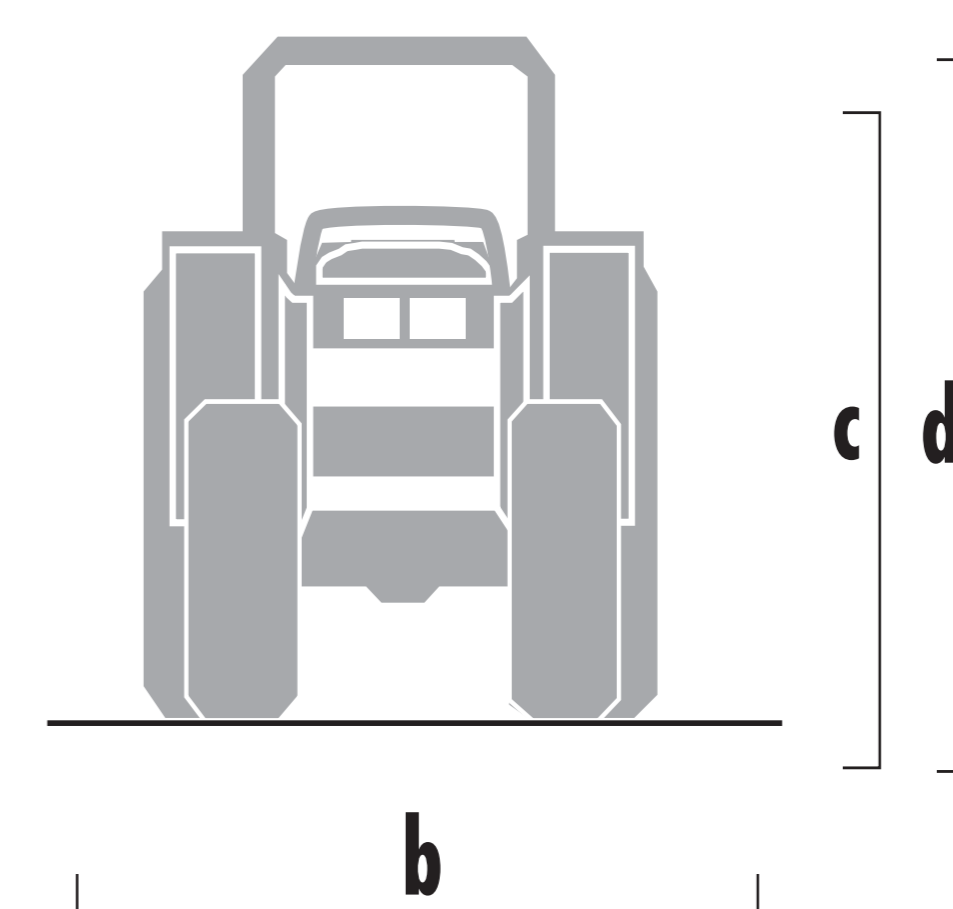
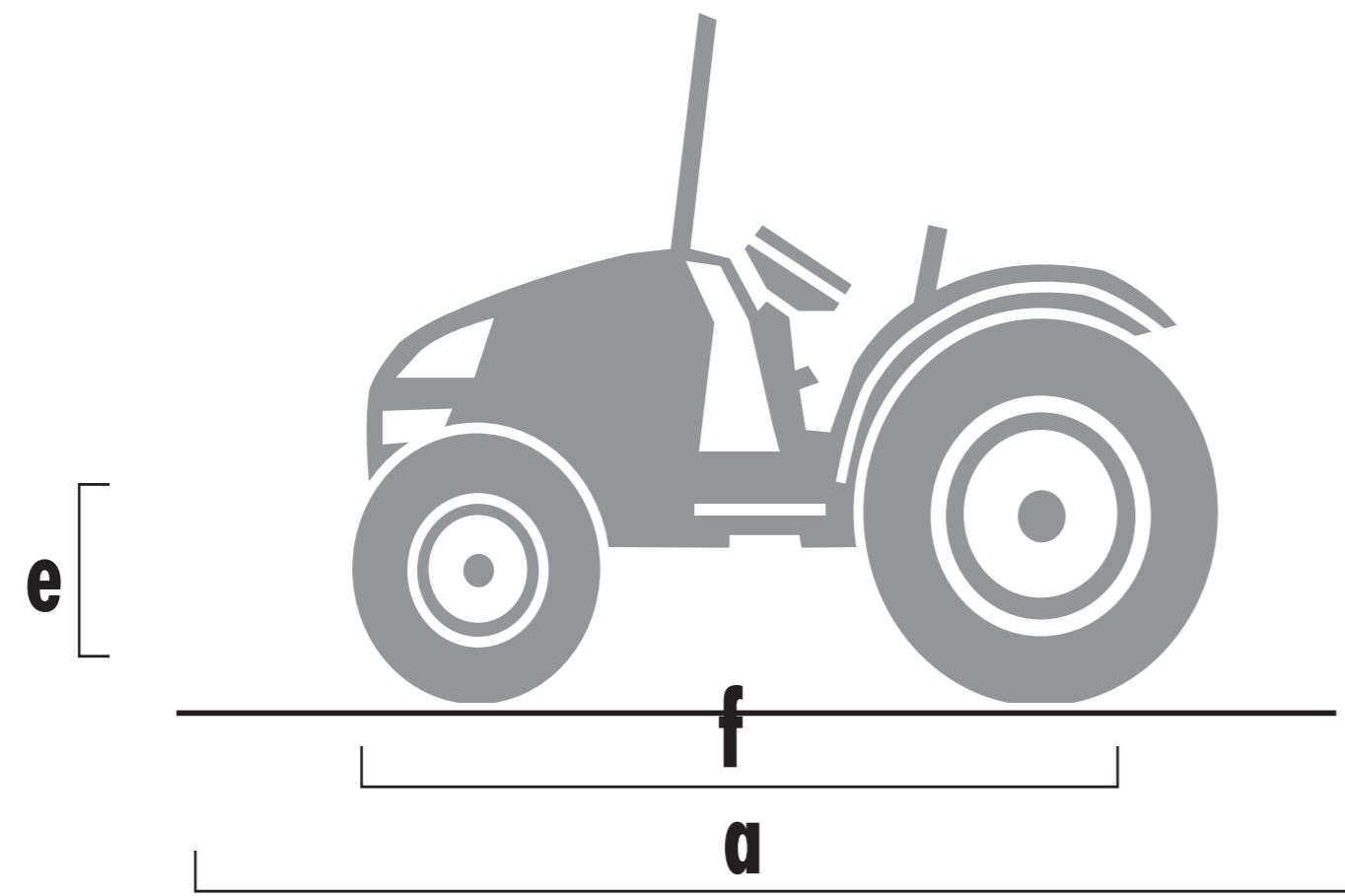
Service Made Simple

Maintenance work is quick and easy. The one-piece hood opens completely for simple and convenient access to all maintenance points.

AGROKID 210-230

Engine	Agrokid 210	Agrokid 220	Agrokid 230	
Manufacturer / type	Mitsubishi S4L-62ST	Mitsubishi S4L-T62ST	Mitsubishi S4L2-T	
Cylinders / displacement	no. / cu. in.(L)	4 / 91.5 (1.5 L)	4 Turbo / 91.5 (1.5 L)	4 Turbo / 107.2 (1.5 L)
Cooling system	Liquid			
Max. power (2000/25/CE)	hp / kW	39 / 29	43 / 32	50 / 50
Rated engine speed / max. power	rpm	3000		
Maximum torque	lb.-ft. (Nm)	61 / 83	74 / 100	90 / 122
Speed at maximum torque	rpm	1900	2100	2000
Dry air filter with primary and secondary elements	Standard			
Fuel tank capacity	U.S. gal. (L)	10 (38)		
POWER TRAIN				
Transmission				
Type / synchronization	Mechanical; 7-speed range transmission			
No. of gears	F / R	12 / 12		
Reversing transmission	Synchronized			
Maximum speed	mph (kp/h)	18.6 (30)		
Independent PTO clutch	Standard			
Rear PTO	rpm	540 (standard) / 540 / 540E (optional)		
Front PTO	rpm	1000 / 2000		
Mid PTO	rpm	2000		
HYDRAULICS				
System specs				
Pump flow rate	gpm (L/min.)	7.9 (30)		
3-point hitch				
Rear lift capacity	lbs. (kg)	2,640 (1200)		
Front lift capacity	lbs. (kg)	880 (400)		
Remote valves	2			
Steering, brakes and chassis				
Steering system	Hydraulic with separate gear pump			
Pump flow rate	gpm (L/min.)	4 (15)		
Steering angle / turning radius	in. (m)	57° / 102 (2.6 m)		
Electrohydraulically operated differential locks	Standard on front and rear			
Operator's station				
Open operator's station	Rubber-mounted platform with foldable ROPS			
Cab	Dual door; heat and air conditioning			

SPECIFICATIONS



Tires		Agrokid 210	Agrokid 220	Agrokid 230
(standard configuration)				
27 x 8.5 x 15 front	15 x 19.5 rear		Standard	n/a
10 x 16.5 front	43 x 16 x 20 rear		n/a	Standard
Optional configurations				
6.50 – 16 front	11.2 R24 rear	Optional		n/a
7.50 – 16 front	12.4 R24 rear	n/a		Optional
27 x 8.50 – 15 front R3	38 x 14.00 – 20 rear	Optional		n/a
31 x 13.50 – 15 front R3	44 x 18.00 – 20 rear	n/a		Optional
Special order only				
200 / 70 R16 front	320 / 70 R20	Special order		n/a
6.50 / 80-12 front	280 / 70 R18 rear	Special order		n/a
240 / 70 R16 front	360 / 70 R20 rear	Special order		n/a
7.00 – 12 front	11.2 R20 rear	Special order		n/a
7.00 – 12 front	320 / 70 R20 rear	Special order		n/a
260 / 70 R16 front	11.2 R24 rear		Special order	
260 / 70 R16 front	320 / 70 R24 rear		Special order	
280 / 70 R16 front	360 / 70 R24 rear	n/a		Special order
Dimensions (with rear tires specified)		320 / 70 R20	320 / 70 R20	
a. Max. length without lower links	in. (mm)	116 (2950)	2,980	
b Width min. / max.	in. (mm)	48 / 53.5 (1220 / 1360)	53.5 / 66 (1360 / 1675)	
c Max. height with ROPS	in. (mm)	77 (1960)	79.5 (2020)	
d Max. height with cab	in. (mm)	87 (2205)	89 (2265)	
e Ground clearance	in. (mm)	13 (345)	15 (390)	
f Wheel base	in. (mm)	69 (1745)		
Distance between fenders	in. (mm)	19 (490)		23 (590)
Track width: Front min. / max.	in. (mm)	38 / 44 (970 / 1120)		41 / 49 (1050 / 1250)
Track width: Rear min. / max.	in. (mm)	32 / 40 (820 / 1020)	39.5 / 52 (1005/1315)	41 / 53 (1040 / 1350)
Turning radius, without brakes	in. (mm)	102 (2600)		
Weight with ROPS	lbs. (kg)	2,750 (1250)	2,900 (1320)	
Speeds (with rear tires specified)		320 / 70 R20	360 / 70 R24	
1–4 L forward min. / max.	mph (km/h)	.48 / 1.65 (.77 / 2.65)	.55 / 1.91 (.89 / 3.08)	.55 / 1.91 (.89 / 3.08)
1–4 M forward min. / max.	mph (km/h)	1.2 / 4.2 (1.93 / 6.70)	1.4 / 4.8 (2.25 / 7.78)	1.4 / 4.8 (2.25 / 7.78)
1–4 H forward min. / max.	mph (km/h)	4.9 / 16.9 (7.83 / 27.10)	5.6 / 19.6 (9.09 / 31.47)	