

*You Need, We Lead*

# LS Tractor



**LS** Mtron  
[www.lstractor.com](http://www.lstractor.com)



# You Need, We Lead

## Market Intelligence and Leading change

LS Mtron started Agricultural business in 1976 as one of LG family group in Korea and has emerged its territory as the leading company in Machinery and Electronic Component business.

It has gained good reputation with its high quality and technology in Major Markets.

LS Mtron continues to go ahead for abundant future for our customer.

LS Mtron Agricultural Machinery Division has facilities to produce state-of-the art tractors with more than 20,000 production capacity per year and target to produce 50,000 units in 2012 including new Chinese plant as well as Korean plant.

## Challenge and Innovation of Technology

LS Mtron is aiming to get the one of the best brand power.

And LS Mtron will provide innovative leading solution toward the customer satisfaction.



## Products Line up

### Sub Compact : J-series

- 23 and 27HP(HST)

### Value Compact : G-series

- 33 and 38HP(Gear & HST)

### Premium Compact : R-series

- 28, 36, 41, 47 and 52HP(Gear & HST)

### Utility : U-series

- 43, 47, 52HP(Rops & Cabin)

### Heavy Duty Utility : PLUS-series

- 65, 75, 85 and 95HP(Rops & Cabin)



**LS** Tractor

**LS** Mtron  
Machinery & Electronic  
Components

**LS** Cable  
Electronic Power  
Telecommunication

**LS** Industrial System  
Power Supply & T/M Equipment  
Automation Equipment

**LS**-Nikko Copper  
Copper Smelting &  
Refinery Gold, Silver Etc

**LS**



**LG**



**LG**

Electronics  
Telecommunication  
Chemical



**GS**

Construction  
Energy  
Service

## History

- 2010 Launched Value Compact Tractor(G-series)
- 2009 Established LS Agricultural Equipment in China
- 2009 Established LS Tractor USA LLC
- 2008 Launched New Compact Tractor(J-series)
- 2008 Establishd LS Mtron Ltd.(spun off from LS Cable Ltd.)
- 2007 Launched Heavy Duty Utility Tractor(PLUS-series)
- 2006 Launched Utility Tractor(U-series)
- 2005 Founded LS Group(spun off from LG Group)
- 2005 Launched Rio-series
- 2001 Launched Neo-series
- 1999 LG Machinery combined with LG Cable Ltd.
- 1995 Renamed LG Group  
Renamed LG Machinery
- 1984 Technical cooperation for engine with MHI(Mitsubishi Heavy Industry)
- 1984 Founded Lucky Goldstar Group as a conglomerate
- 1983 Goldstar Cable acquired KHIC
- 1976 KHIC (Korea heavy Industries & Construction Co.) started tractor business in Gunpo Plant with FIAT's (currently CNH) technology
- 1962 Established Goldstar Cable Co., Ltd.
- 1958 Established Goldstar Electronics Co., Ltd.
- 1947 Established Lucky Chemical Industrial Corporation



# J-Series (Compact)

J23 / J27

*Valuable Simplicity*



Performance and agility combined in a powerful small-chassis compact 4WD tractor makes the J-Series perfect for home and estate owners, small-acreage farmers, horse farmers and light-duty commercial users.





Mitsubishi Tier 4 interim engine.  
- Environment-friendly farming.  
- Increase fan size  
- Reliable performance



Smooth shifting of the easy operation ensures optimum driving performance. And 2WD can be converted to 4WD according to working condition.



For improving the visibility working at day or night, TWO head lamps are installed. No rear lamp or one rear lamp. (Option)



Big fuel tank guarantees long time operation.

Foldable ROPS provides safety to operator.

Smart design for light work.  
- Wide rear view by locating fuel tank inside the hood.





Wider seat offers comfortable working condition during long operation.  
 - Seat width : 465mm



Independent PTO & High Lift Capacity enable the users to do various works.  
 - Lift Capacity @ Ball end : 650kg  
 - Category I type 3-point linkage accepts a variety of implements for all of your different needs.



Higher velocity among the same classes(17.5km/h) saves time to move.



1-pair of remote control valve is standard.  
 - Offer high compatibility to various implements.



## Specifications

	J23 HST	J27 HST
<b>ENGINE</b>		
Type	4-Stroke, Indirect injection, Water-cooled	
Model (Tier III)	Mitsubishi S3L	Mitsubishi S3L2
Emission	Tier4 Interim, Stage IIIA	
Engine Kw (ps)	16.9(23)	19.9(27)
PTO HP	17.5	20.5
Rated speed, RPM	2700	2700
Displacement (cc)	1125	1318
Fuel tank capacity ( ℓ )	25	25
<b>DRIVE TRAIN</b>		
Transmission	Hydrostatic drive	
No. of Speeds (Option)	2 Ranges	2 Ranges
Brakes	Wet, Multi Disc	
Steering	Hydrostatic Power Steering	
<b>PTO</b>		
Type	Independent	Independent
Mid (rpm)	2000	
Rear (rpm) (3-Step option kit)	540	
<b>HYDRAULIC SYSTEM</b>		
Implement pump gpm	5.9	5.9
Steering pump gpm	2.7	2.7
Total flow gpm	8.6	8.6
Category, 3 pt hitch	CAT I	CAT I
Hitch Lift capacity (kg)	650	650
Lift control type	Position	
<b>DIMENSIONS</b>		
Overall length, Bumper to link (mm)	2620	2620
Overall width without tires (mm)	1140	1140
Wheelbase (mm)	1500	1500
Ht to top of rops (mm)	2160	2160
<b>WEIGHT</b>		
Total weight without ballast (kg)	711	721





## J Series



MID PTO is standard.  
 - For mid-mower  
 - MID PTO Speed : 2,000 rpm



**Powerful CAT-I 3-point hitch**  
 The 3-point hitch accepts a variety of implements for all of your different needs.



One touch PTO On/Off switch.

### ■ Standard Equipment

- Dry type air cleaner
- Preheat starting aid
- Hand and foot throttle control
- Instrumentation : Alternator
  - Warning light, Engine oil pressure light
  - Gauges : water, fuel, tachometer w/ hour meter

### ■ Optional Equipment

- Rear working light



# G-Series (Value Compact)

G33/G38

*Valuable Simplicity*



G-Series meets a variety of needs for home and estate owners, small-acreage farmers, horse farmers and commercial users.





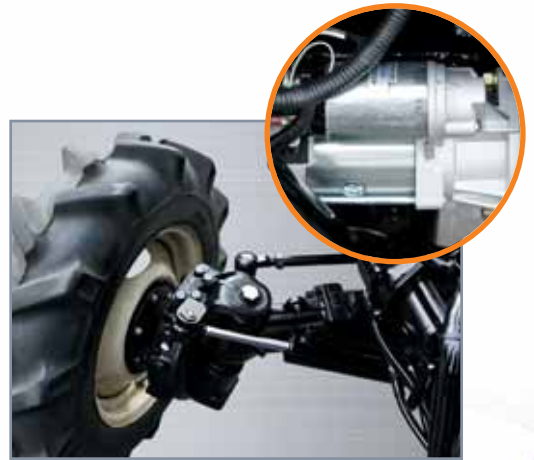
Fuel-efficient engine with low noise and vibration provide comfortable operation.



Equipped with a large radiator further improves the thermal equilibrium.



Semi flat deck gives operator more comfort when pushing down pedal and shifting gear lever.



Hydraulic steering system increases power transmission efficiency and reduces operator's fatigue substantially.

Compact and simple design guarantee high performance for orchard and green house work.







Multiple transmission enables variety tasks under various working conditions.



A customer-oriented bonnet allows convenient maintenance.



Dry air cleaner provides good accessibility and ensures longer engine life.



Hydrostatic transmission is available as an option.



## Specifications

	G33 Gear	G33 HST	G38 Gear	G38 HST
<b>ENGINE</b>				
Type	4 - Stroke, Indirect - injection, Water- cooled			
Model (Tier III)	L3BL			L3AL
Emission	Tier4 Interim, Stage IIIA			
Engine Kw (ps)	33		38	
PTO HP	27	26	32	31
Rated speed, RPM	2600			
Displacement (cc)	1916	1916	2002	2002
Fuel tank capacity ( ℓ )	28			
<b>DRIVE TRAIN</b>				
Transmission	Synchro shuttle	Hydrostatic Drive	Synchro shuttle	Hydrostatic Drive
No. of Speeds (Option)	12F / 12R Non synchro	3Range	12F / 12R Non synchro	3Range
Brakes	Wet, Multi Disc			
Steering	Hydrostatic Power Steering			
<b>PTO</b>				
Type	Full Independent or Manual			
Mid (rpm)	Option(2000rpm)			
Rear (rpm) (3-Step option kit)	Standard(540rpm)			
<b>HYDRAULIC SYSTEM</b>				
Implement pump gpm	8.2			
Steering pump gpm	4.8			
Total flow gpm	11.9			
Category, 3 pt hitch	CAT I			
Hitch Lift capacity (kg)	820			
Lift control type	Position			
<b>DIMENSIONS</b>				
Overall length, Bumper to link (mm)	2987			
Overall width without tires (mm)	1201			
Wheelbase (mm)	1673			
Ht to top of rops (mm)	2291		2316	
<b>WEIGHT</b>				
Total weight without ballast (kg)	1175	1184	1220	1220





# G Series



Synchromesh shuttle enables speedy operation.



Robust rear axle.



Fully adjustable seat with seat belt.

## ■ Standard Equipment

- Dry type air cleaner
- Preheat starting aid
- Hand and foot throttle control
- Instrumentation : Alternator
  - Warning light, Engine oil pressure light
  - Gauges : water, fuel, tachometer w/ hour meter

- Hydraulic position control
- Adjustable seat
- ROPS W/ seat belt
- Turn signals

## ■ Optional Equipment

- Rear working light
- Control valve (1 pair)
- Control valve (2 pair)



# R-Series (Premium Compact)

R28i / R36i / R41 / R50 / R60

*Optimal Flexibility*



Versatility in a large-horsepower, compact-size 4WD is combined with features designed to take on heavy-duty jobs with ease.





A customer-oriented bonnet allows easy maintenance.



Telescopic lower link and 2 pairs remote valves ensure convenient use of any commercial application.



Hydrostatic power and tilting steering for ergonomics.



Auto leveling system for attachment and quick turn system are optional for R41, R50 and R60.

For improving night working, TWO head lamps and TWO rear lamps are installed.

Aero dynamic style for excellent visibility  
One touch open bonnet

Compact size of Rio is optimal for working in orchard, vineyard, gardening, municipality, hobby farming, small farming and so on.







Independent PTO is operated by switch on the dashboard for all R-models. Ground for all R-models.



### Transmission

- R28 and R36 : 12x12
- R41, R50 and R60 : 16x16 basic transmission
- 32x16 transmission with creeper is an option for R41, R50 and R60



Hydrostatic transmission is available as an option.



Low noise and vibration allow operator to work in convenient condition.

- R28 79.7 dB
- R36 79.5 dB
- R41 80.6 dB
- R50 81.0 dB
- R60 81.5 dB



## Specifications

ENGINE	R28i Gear	R28i HST	R36i Gear	R36i HST	R41 Gear	R41 HST	R50 Gear	R50 HST	R60 Gear
Type	4-Stroke, Indirect injection, Water-cooled								
Model (Tier III)	Mitsubishi S4L		Mitsubishi S4L2		LS S4QL-D		LS S4QL		LS S4QT
Emission	Tier4 Interim, Stage IIIA								
Engine Kw (ps)	28.5	28.5	38.5	38.5	41	41	47	47	57
PTO HP	23	22.5	31	29	35	33	41	38	50
Rated speed, RPM	2600	2600	2700	2700	2600	2600	2600	2600	2600
Displacement (cc)	1500	1500	1758	1758	2505	2505	2505	2505	2505
Fuel tank capacity (ℓ)	32	32	32	32	40	40	40	40	40
<b>DRIVE TRAIN</b>									
Transmission	Synchro shuttle	Hydrostatic drive	Synchro shuttle	Hydrostatic drive	Synchro shuttle	Hydrostatic drive	Synchro shuttle	Hydrostatic drive	Synchro shuttle
No. of Speeds (Option)	12F / 12R	3 Ranges	12F / 12R	3 Ranges	16F/16R(32F/16R)	3 Ranges	16F/16R(32F/16R)	3 Ranges	16F/16R(32F/16R)
Brakes	Wet, Multi Disc								
Steering	Hydrostatic Power Steering								
<b>PTO</b>									
Type	Independent								
Mid (rpm)	OPTION (2000)								
Rear (rpm) (3-Step option kit)	540	540	540	540	540 (540/750/1000)				
<b>HYDRAULIC SYSTEM</b>									
Implement pump gpm	8.2	8.2	8.6	8.6	8.2	8.2	8.2	8.2	8.2
Steering pump gpm	4.1	4.1	4.3	4.3	4.1	5.5	4.1	5.5	4.1
Total flow gpm	12.3	12.3	12.9	12.9	12.3	13.7	12.3	13.7	12.3
Category, 3 pt hitch	CAT I	CAT I	CAT I	CAT I	CAT I	CAT I	CAT I	CAT I	CAT I
Hitch Lift capacity (kg)	820	820	820	820	1252	1252	1252	1252	1252
Lift control type	Position / Draft								
<b>DIMENSIONS</b>									
Overall length, Bumper to link (mm)	2987	2987	2987	2987	3192	3192	3192	3192	3394
Overall width without tires (mm)	1369	1369	1379	1379	1420	1420	1420	1420	1420
Wheelbase (mm)	1661	1661	1661	1661	1758	1758	1758	1758	1758
Ht to top of rops (mm)	2316	2316	2352	2352	2416	2416	2416	2416	2416
<b>WEIGHT</b>									
Total weight without ballast (kg)	1264						1733		





# R Series



Higher steering angle minimizes turning radius. It gives better performance especially in narrow working place.



Two hydraulic pumps enable more powerful work for implements



Water and rust proof front axle

## ■ Standard Equipment

- Dry type air cleaner
- Preheat starting aid
- Hand and foot throttle control
- Instrumentation : Alternator Warning light, Engine oil pressure light
- Gauges : water, fuel, tachometer w/ hour meter
- Hydrostatic power steering

- Hydraulic draft and position control
- Rear working light
- Adjustable seat
- Telescopic Stabilizer & Drawbar
- ROPS W/ seat belt
- Turn signals

## ■ Optional Equipment

- Front bumper & weight
- Remote control valve (1 pair)
- Remote control valve (2 pairs)
- Middle Mount PTO



# U-Series (Utility)

U43 / U50 / U60

*All-Round but Durable*



Rugged 4WD compact-utility tractors easily take on the tasks of small farm and hay operations, as well as commercial users.





The hydraulic Independent PTO can be easily controlled by the switch on the dashboard.



Appropriate ground clearance protects the crops on the ground and guarantees the high performance, especially when working in wet field.

▶U43 : 357mm ▶U50 : 377mm ▶U60 : 407mm



A customer-oriented bonnet allows easy maintenance.



Open center system with 1 or 2 remote control valve to suit customer's needs at any time. Monoblock design valve.



For night working, TWO head lamps and TWO rear lamps are installed.

Aero-dynamic new bonnet focuses an excellent visibility.





### Various Transmission

- 16F × 16R basic transmission
- 32F × 16R transmission with Creeper is optional for various working.
- Synchro Shuttle allows customer to operate tractor more conveniently.



All the models are powered by the Engine, displacement 2,505cc, water-cooled 4 cylinder. It offers high performance, low vibration and low Noise. It meets EPA, ISO, OECD as well as EC regulation.



The adjustable power steering wheel optimizes a user-friendly working condition.



Full flat deck and rubber mat ensure user-friendly working condition.



## Specifications

	U43 ROPS	U43 CABIN	U50 ROPS	U50 CABIN	U60 ROPS	U60 CABIN
<b>ENGINE</b>						
Type	4-Stroke, Indirect injection, Water-cooled					
Model (Tier III)	S4QL			Mitsubishi S4S-D		
Emission	Tier4 Interim, Stage IIIA					
Engine Kw (ps)	43	43	47	47	57	57
PTO HP			42	42	50	50
Rated speed, RPM	2600	2600	2600	2600	2600	2600
Displacement (cc)	2505	2505	2505	2505	2505	2505
Fuel tank capacity (ℓ)	60	60	60	60	60	60
<b>DRIVE TRAIN</b>						
Transmission	Synchro shuttle					
No. of Speeds (Option)	16F / 16R (32F / 16R)					
Brakes	Wet, Multi Disc					
Steering	Hydrostatic Power Steering					
<b>PTO</b>						
Type	Independent					
Mid (rpm)	N / A					
Rear (rpm) (3-Step option kit)	540 / 750/1000					
<b>HYDRAULIC SYSTEM</b>						
Implement pump gpm	9.6	9.6	9.6	9.6	9.9	9.9
Steering pump gpm	4.9	4.9	4.9	4.9	4.9	4.9
Total flow gpm	14.5	14.5	14.5	14.5	14.8	14.8
Category, 3 pt hitch	CAT I			CAT II		
Hitch Lift capacity (kg)	1850	1850	1850	1850	1850	1850
Lift control type	Position / Draft					
<b>DIMENSIONS</b>						
Overall length, Bumper to link (mm)	3740	3740	3740	3740	3757	3757
Overall width without tires (mm)	1669	1669	1669	1669	1669	1669
Wheelbase (mm)	1930	1930	1930	1930	2047	2047
Ht to top of rops (mm)	2598	2403	2598	2403	2598	2426
<b>WEIGHT</b>						
Total weight without ballast (kg)	1952	2195	1952	2195	1949	2205





# U Series



The superior finger-trip control type Shuttle Lever for forward/reverse shifting. (Option)



Water and rust proof axle features a strong structure and durability.



High PTO output and 3 PTO speed are standard (540/750/1000). (Option)

## ■ Standard Equipment

- Dry type air cleaner
- Preheat starting aid
- Hand and foot throttle control
- Instrumentation : Alternator Warning light, Engine oil pressure light
- Gauges : water, fuel, tachometer w/ hour meter
- Hydrostatic power steering
- Hydraulic draft and position control

- Front outlet valve and Loader Joystick
- Automatic Lift Arm
- Rear working light
- Adjustable seat
- Telescopic Stabilizer & Drawbar
- ROPS W/ seat belt
- Turn signals
- Remote control valve (2 pairs)

## ■ Additional Equipment on Cabin Models

- Deluxe Cabin with Heating and A/C
- Deluxe Stereo system with CD Player

## ■ Optional Equipment

- Front bumper & weight



# PLUS-Series (Heavy Duty Utility)

PLUS70/PLUS80/PLUS90/PLUS100

*Productivity under Comfort*



Take comfort in getting the job done right from the climate-controlled cabin of our PLUS-Series tractors. These 4WD heavy duty utility cabin tractors feature our biggest horsepower engines to take on the heavy-duty tasks of medium-sized farms, hay operations and livestock ranches.





55 degree steering angle minimizes turning radius to 3.25m. It has superb performance especially in narrow working place.



Newly developed environmental friendly Tire III FPT engine is powerful and enables PLUS to accomplish high fuel efficiency.



The implement is controlled electronically. Easy to control and improve efficiency with various automatic functions. (Option)



Power shuttle lever makes it easier to shift forward and reverse without operating clutch pedal. (Option)

A customer-oriented bonnet allows easy maintenance and improve visibility.

High ground clearance protects the crops on the ground and guarantees high performance, especially when working in wet field.







3 pairs of remote control valve and 2 pairs of front outlet valve are available. Quick coupler makes various implements equipped easily.



Full flat deck and rubber mat ensure user friendly working conditions.



Auto leveling system maintains the implements horizontal in uneven surface or steep working place. (Option)



Oval-shaped work lamps on the top give more convenience for night work.

## Specifications

ENGINE	PLUS70 ROPS	PLUS70 CABIN	PLUS80 ROPS	PLUS80 CABIN	PLUS90 ROPS	PLUS90 CABIN	PLUS90 CABIN (PST)	PLUS100 CABIN (PST)
Type	4-Stroke, direct injection, Water-cooled							
Model (Tier III)	F5C (Tier III)	F5C (Tier III)	F5C (Tier III)	F5C (Tier III)	F5C (Tier III)	F5C (Tier III)	F5C (Tier III)	NEF (Tier III)
Emission	Tier4 Interim, Stage IIIA							
Engine Kw (ps)	53(72)	53(72)	59(80)	59(80)	65(88)	65(88)	65(88)	71(97)
PTO HP	63	63	70	70	77	77	77	83
Rated speed, RPM	2300	2300	2300	2300	2300	2300	2300	2300
Displacement (cc)	3200-Turbo	3200-Turbo	3200-Turbo+Ext.EGR	3200-Turbo+Ext.EGR	3200-Turbo+Intercooler	3200-Turbo+Intercooler	3200-Turbo+Intercooler	3200-Turbo+Intercooler
Fuel tank capacity ( ℓ )	100	100	100	100	100	100	100	100
<b>DRIVE TRAIN</b>								
Transmission	Synchro shuttle						Power Shuttle with hi-low	
No. of Speeds (Option)	20F / 20R	20F / 20R	20F / 20R	20F / 20R	20F / 20R	20F / 20R	20F / 20R (40F / 28R)	20F / 20R (40F / 28R)
Brakes	Wet, Multi Disc							
Steering	Hydrostatic Power Steering							
<b>PTO</b>								
Type	Independent							
Mid (rpm)	N/A							
Rear (rpm) (3-Step option kit)	540/750/1000							
<b>HYDRAULIC SYSTEM</b>								
Implement pump gpm	10.7	10.7	10.7	10.7	10.7	10.7	10.7	14.7
Steering pump gpm	6.0	6.0	6.0	6.0	6.0	6.0	6.0	6.0
Total flow gpm	16.7	16.7	16.7	16.7	16.7	16.7	16.7	20.7
Category, 3 pt hitch	CAT II	CAT II	CAT II	CAT II	CAT II	CAT II	CAT II	CAT II
Hitch Lift capacity (kg)	2806	2806	2806	2806	2806	2806	2806	2806
Lift control type	Position / Draft							
<b>DIMENSIONS</b>								
Overall length, Bumper to link (mm)	3990	3990	3990	3990	3990	3990	3990	3990
Overall width without tires (mm)	7933	1976	1933	1976	1933	1976	1976	1976
Wheelbase (mm)	2200	2200	2200	2200	2200	2200	2200	2200
Ht to top of rops (mm)	2657	2599	2657	2599	2677	2629	2629	2629
<b>WEIGHT</b>								
Total weight without ballast (kg)	2886	3034	2886	3034	2908	3056	3056	3056





# PLUS Series



Main gear shift lever offers smooth shift and optimal driving.



One touch PTO auto/manual and on/off switch, EHD and 4WD switch located in one place together.



Integral steering wheel with tilting dashboard improve better visibility

### ■ Standard Equipment

- Dry type air cleaner
- Preheat starting aid
- Hand and foot throttle control
- Instrumentation : Alternator Warning light, Engine oil pressure light
- Gauges : water, fuel, tachometer w/ hour meter
- Hydrostatic power steering
- Hydraulic draft and position control

- Front outlet valve and Loader Joystick
- Automatic Lift Arm
- Rear working light
- Adjustable seat
- Telescopic Stabilizer & Drawbar
- ROPS W/ seat belt
- Turn signals

### ■ Additional Equipment on Cabin & Power Shuttle Models

- Deluxe Cabin with Heating and A/C
- Remote control valve (3 pairs)
- Deluxe Stereo system with CD Player

### ■ Additional Equipment on Open Station Models

- Open station
- Remote control valve (2 pairs)

### ■ Optional Equipment

- Front bumper & weight
- Power Shuttle with hi-low: No. of Speeds (Option) 20F/20R(40F/40R)
- Front mud guard



*You Need, We Lead*



**LS** Mtron

OFFICE : 5F Jungsan Building, 1026-8, Sanbon-dong,  
Gunpo-si, Gyeonggi-do, South Korea  
Tel.(+82-31)450-3822 Fax.(+82-31)450-3151

FACTORY : 886, Gwahak-ro, Bongdong-Eup, Wanju-Gun,  
Jeollabuk-Do, 565-904, KOREA

Tel. (+82-63)279-5821~3 Fax.(+82-63)279-5932

[www.lstractor.com](http://www.lstractor.com)