

# W300/W400 COMPACT COMBINES



Harvest in Record Time





# YOUR FREEDOM MACHINES.



If you're farming on a smaller scale, being master of your own destiny is essential. And that means having the freedom to take the decisions that benefit your work and productivity. You decide when, how and with whom you work and you rely on your own machinery to maintain that freedom.

Owning a John Deere compact combine – the W300 or W400 – extends this freedom to the harvesting season. Never again will you compromise your own working schedules – or the quality of your crop – because of the non-availability of a contractor when bad weather is threatening. When your crop is ripe, you can harvest immediately. You alone decide.



## Content

Development .....	4
Machine Overview .....	6
300R & 600R Headers   Feederhouse .....	8
Threshing unit .....	10
Cleaning .....	12
Grain tank.....	14
Residue management.....	16
Cab.....	18
Controls.....	20
Display   Maintenance .....	22
Dealer Service .....	24
Specifications   Dimensions.....	26

These robust John Deere compact combines are made for you. They have been designed and engineered for top performance even in wet conditions, while their compact design concept makes them extremely easy to use handle on small fields and roads. And all of this with the comfort of a modern cab with touch-screen colour display. The combine is also extremely easy to maintain, access and service as it was designed with the driver in mind.





## A COMBINE DESIGNED WITH THE CUSTOMER IN MIND



### INDEPENDENT DLG TEST

A DLG test has been done in Germany in 2013 to confirm what we claim: The W330 did 21 t/h and the W440PTC 24.5 t/h (grain moisture: 17.6%, straw moisture: 11%, winter wheat 10 t/ hectare, 1% loss level).

In designing the W300 and W400-Series, we fully focused on the needs and wishes of our customers: Reliability, performance, easy access to main components, compact size and comfort for the operator are just few of the criteria we had in mind.

### HISTORY REPEATING

With the introduction of the W300 and 400 series combines John Deere is back in the small combine business. We are connecting to a long history where we have been serving that market with legendary combines like the 1100 and 2200 series machines. For the W300 and W400 it was clear that they have to meet the attributes customers still love today on the "old" combines like great

performance, a low loss level or a super clean grain tank sample.

### OUR GOAL: EXCEEDING EXPECTATIONS

For us at John Deere it was clear that meeting what we had in the past is not just enough: We have to offer more. That's why you find items like a multi-drum threshing system, active tailings return, modern high-speed straw chopper with chaff spreader, a Stage IV compliant, fuel efficient engine or a modern touch screen monitor.

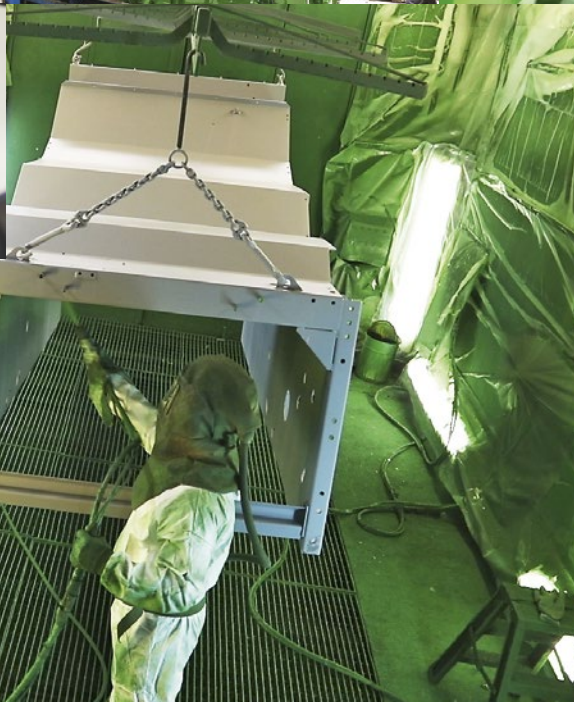




**QUALITY**

**MADE IN FINLAND**

**SINCE 1863**



**MODERN MANUFACTURING**

The complete assembly line in Pori, Finland got dismantled, everything got cleaned out, painted and setup in a new format in 2014. 100% of all combines get tested fully running for 2 hours at the end of the assembly line with additional random audits in place with extended checks over 10 hours: All in order to meet the high John Deere quality standards and achieve highest customer satisfaction.

**DESIGNED FOR THE TOUGHEST CONDITIONS IN THE NORDICS**

Those combines clearly are made for tough jobs: They are made to work in moisture levels over 20% and surely can cope with anything else too. As the distances in the nordics are huge and the next service point is often far away they had to be easy to fix. That is why they are a benchmark in accessibility. The whole combine can be taken apart and cleaned out in less than 30 minutes.

**JOHN DEERE HAS BEEN BUILDING HARVESTING MACHINES SINCE 1927. WE ARE THE LARGEST COMBINE HARVESTER MANUFACTURER IN THE WORLD. TO DATE, OVER 750,000 JOHN DEERE COMBINE HARVESTERS HAVE BEEN PRODUCED.**

**LIGHT AND COMPACT**

The compact size and low turning circle result from the fact that small roads through the forest end up at small fields in the Nordics. In order to enter wet fields without damaging the spoil or getting stuck those combine are light in weight by their nature.



**Wide Header Choice:**

3.90 - 6.70 Meter

**Pre-Threshing Cylinder:**

Up to 20% higher threshing capacity

**High Inertia Threshing Drum:**

500 mm diameter with 8 rasp bars

1

2

3

## Easy to operate, simple to maintain

John Deere has made owning your own combine a trouble-free and rewarding experience. Setting-up is simple and quick, operation is intuitive and stress-free, servicing and maintenance is easy and high quality grain and straw is the result.

Whether you choose the W300 or W400 model, you're sure to have a combine you can be proud of. These lightweight machines deliver heavyweight performance within a compact format that allows the fitting of wider tyres, thus minimising soil compaction. Their compact dimensions are ideal for working in small fields and narrow lanes.

LIGHTWEIGHT MACHINES

DELIVER HEAVYWEIGHT

PERFORMANCE



6

**Active Tailings System:**

Performance boost and additional threshing capacity

7

**Large walker area:**

Get the last free grains



**Easy Service and Maintenance:**

Central lubricant banks and only 2 daily greasing points

**W440 PTC with 100 l/sec Unloading Rate:**

Empty the 7,600 l grain tank in just 76 seconds



8

**Power Separator:**

More separation performance at the walkers

9

**Great Accessibility:**

Quick service and adjustment

10

**Compact Size:**

Small body width and narrow turning circle

## SMOOTH AND EASY FEEDING

Our W300 and W400 Series combines are available with a wide range of header option to handle a wide range of crops with ease.

The **600R headers** offer a large diameter auger capable to evenly feed crop over the whole cutting width. Stainless steel feed plates are very smooth and prevent crop from sticking in front of the auger. The header is extendable in 3 positions to match different crop heights. The linear knife drive stands for less vibrations and wear and perfectly cuts even in weedy conditions.

The **300R header** matches the capacity of the W330 and offers customer oriented features like e.g. folding crop dividers. Purpose-built header trailers are available to facilitate fast field-to-field changeovers and your John Deere dealer can also supply a variety of alternative header solutions like variable headers, foldable headers, corn and sunflower headers or attachments like rapeseed extensions and side knives.

Any stubborn blockages in the header or feederhouse can be quickly removed by activating the powerful reverser via the in-cab button. To protect the threshing cylinder from undesirable stone ingress, a large stone trap is in place which can be easily accessed and emptied. Both W300 and W400 Series combines offer ground contour following capabilities. On the W300 the header is automatically moving up or down and follows the ground contours thanks to the Automatic Height Control (AHC).

With Distance Height Control (DHC) two header positions can be saved to speed up headland turns and resume from a headland position to a stored working position very quickly. The W440 offers on top of that a lateral ground contour function in order to cope with the wider headers this 6-walker combine can carry.



### Choice of headers

300R Series headers for the W330 are available as follows: 3.90 m, 4.20 m, 4.50 m, 4.80 m and 5.10 m. For the W440 the available headers of the 600R Series are: 4.90 m, 5.50 m, 6.10 m and 6.70 m. All of our headers benefit from the following features:

- Screw-mounted knife sections
- Feed fingers across the complete cutting table width
- Fixed or foldable crop dividers
- Fixed or quick-mounted crop lifters (optional)



AVAILABLE WITH A BIG VARIETY

OF HEADER SOLUTIONS

FOR A WIDE RANGE OF CROPS



#### Conveyor chain and front drum

The heavy duty U-slat conveyor chain runs on an open-design front drum, so the bolted feeder chain slats cannot be damaged by a foreign object entering the feederhouse. Instead, it will be caught by the stone trap.

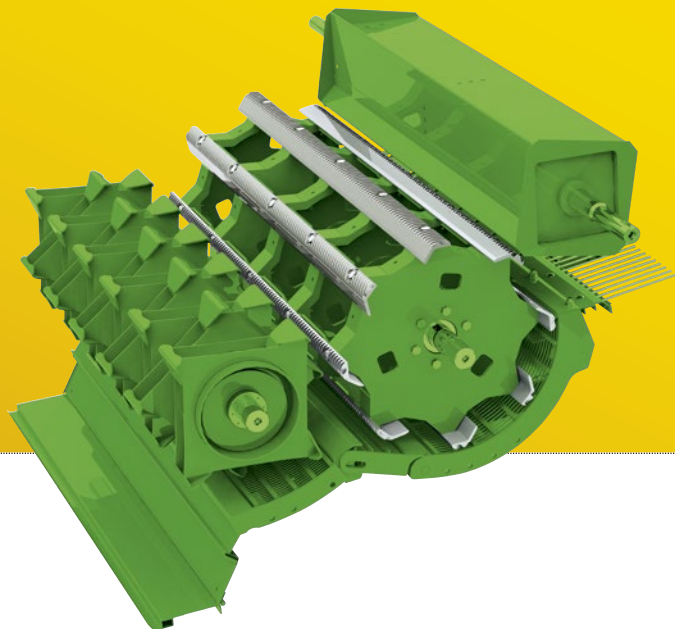
6-walker W440 combines are equipped with 3 chains and two slats to ensure reliable feeding across the entire 1,330 mm width. 5-walker W330 combines feature 3 chains and one slat. The chain tension and position of the front drum are adjustable from the side of the feederhouse.



#### Large Service doors

Two large service doors provide access to the conveyor chain and the threshing cylinder. On the PTC-equipped W440, the service doors also provide access to the PTC drum.





### Pre-Threshing Cylinder (PTC)

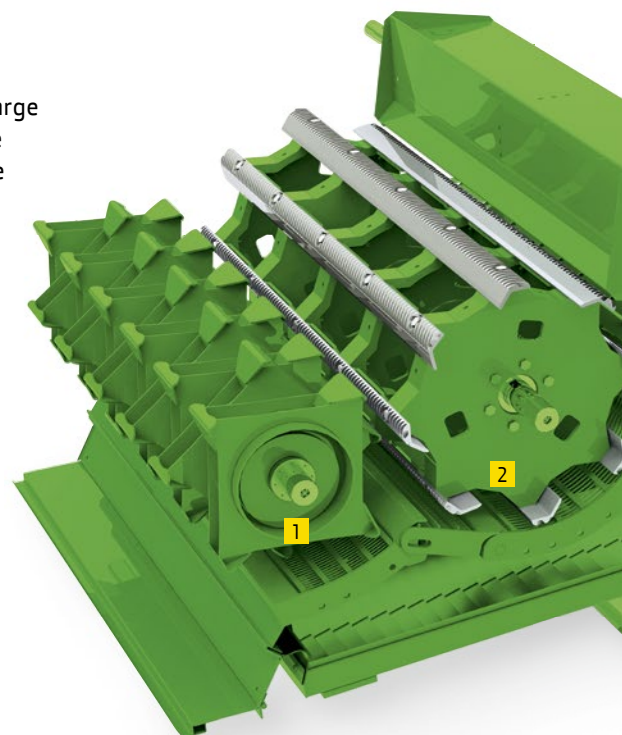
Tough, but high yielding, hard to thresh conditions will benefit from the additional drum and active separation area of our PTC. The reduced angle between feederhouse and threshing concave accelerates, pre-threshes and smoothes the crop flow to improve separation grain quality is assured by the smooth paddle design. The load on the main concave is reduced because more grain is pre-separated in the PTC concave below the pre-thresher, resulting in up to 20% performance increase.

1

## Smooth, efficient threshing

Although the W300 and W400 are compact machines, they both benefit from a large active separation area which includes only the concave area without counting the finger rakes as separation area. The 500 mm threshing cylinder guarantees gentle threshing with well preserved straw and reduced grain damage due to its 8 raps bars high oscillating weight and the fact that John Deere combines thresh more by rubbing rather than beating. The open cylinder directs dust into the machine and doesn't force it out of the feederhouse – giving you a better view of the header.

The concave of the pre-threshing cylinder (PTC) delivers 20% extra threshing performance. Exclusively the concave clearance of the PTC and the main drum can be adjusted independently from each other. When the separation capacity is required the PTC and main concave clearance is small, while in dry conditions it is wide to maintain good straw and grain quality. But there are also conditions where it is necessary to set the PTC concave clearance is wide open to preserve straw quality while the main concave clearance set tight to remove hard-to-thresh grains. Whatever the job is – you can customize as needed.



**ROBUST**

**RELIABLE AND**

**EASY TO MAINTAIN**

### Large Walker Area

The 4-step walker concept with a high throw and 18 cm steep steps ensure effective separation of trapped grains. The optional power separator enhances performance in wet and green straw conditions.



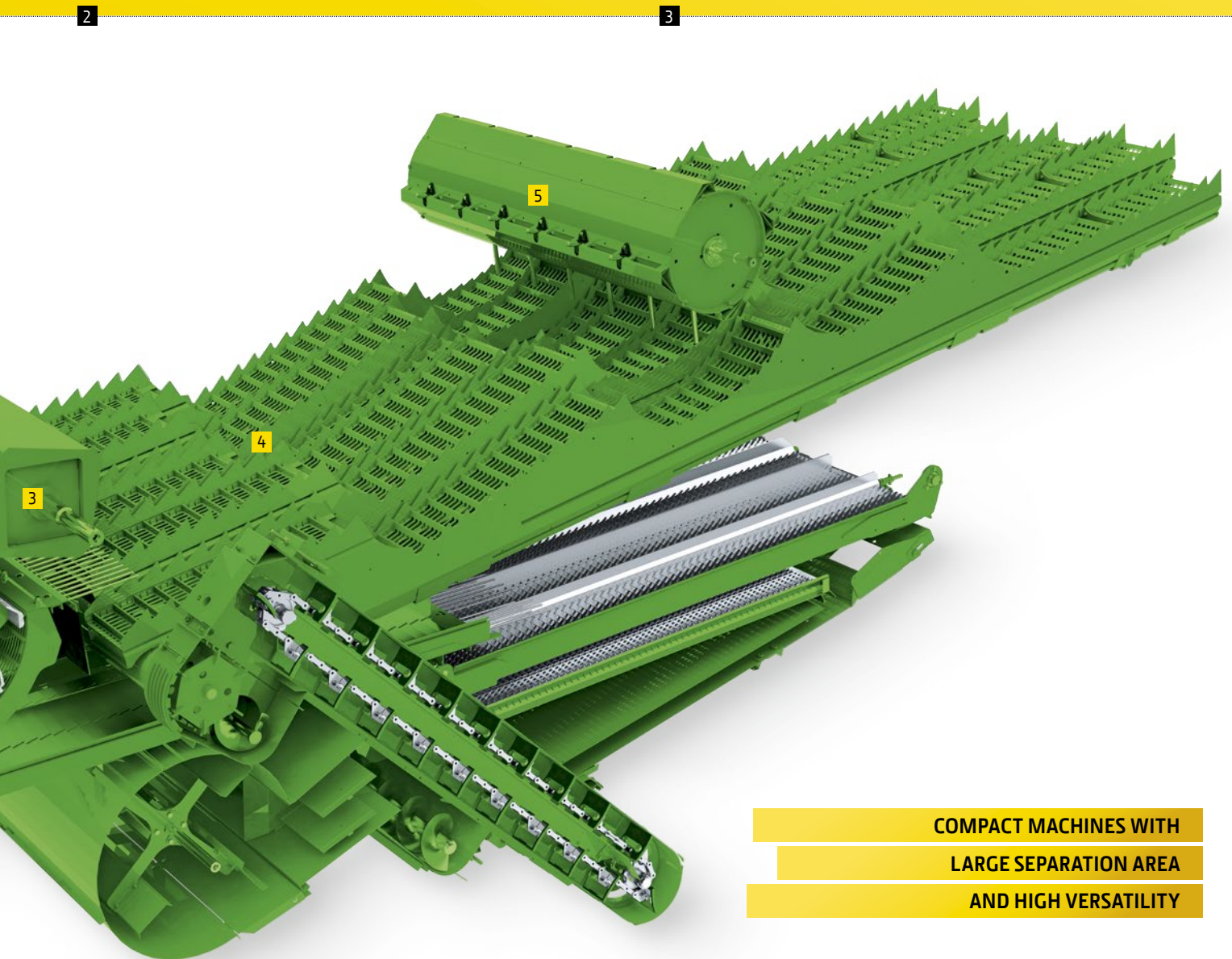


### Threshing cylinder

The large, 8 rasp bar, threshing cylinder with 500 mm diameter and a total width of 1,110 mm (W300) or 1,330 mm (W400) provides excellent grain quality and gentle material handling. The clearance to front and rear concaves can be adjusted independent from each other from within the cab.

### Rear beater

The large diameter (350 mm) rear beater strips the threshed straw mat from the cylinder/concave, slows it down and transitions it to the straw walkers. It provides consistent material flow. Below the rear beater a finger rake collects free grains. The straw mat is aerated for a better separation on the walkers.



**COMPACT MACHINES WITH  
LARGE SEPARATION AREA  
AND HIGH VERSATILITY**

4

### Exclusive stainless steel return pans

Separated material is returned from the walker to the cleaning shoe by smooth stainless steel return pans. They can be removed in seconds through the rear door at the straw hood to clean them in case of blockages.

5

### Adjustable Power Separator

The Power Separator improves separation in the rear part of the walkers. It turns faster than the crop mat is moving rearward, thus stretching and thinning the crop material so that trapped grain is released, improving separation especially in wet harvesting conditions. The smooth cylinder design and the adjustable finger timing via an external lever reduce the risk of crop wrapping a in rapeseed, beans and other long and sticky crops.





**HIGHLY EFFICIENT**

**SEPARATION TECHNOLOGIES FOR**

**THOROUGHLY CLEANED GRAIN**



#### **Larg sieve area**

With a large sieve area which is not including finger rakes or step areas the W400 and W300 ensures low grain losses, even under high yield conditions. High longitudinal divider plates help maintain an even distribution when working across hillsides. The airflow can be adjusted and directed to the front or the rear of the combine depending on yield and moisture levels.





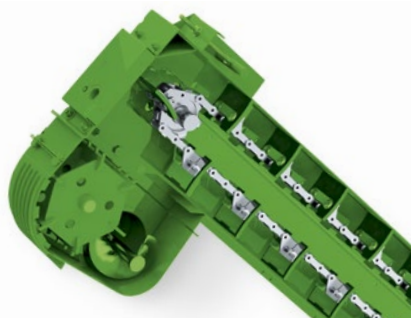


## CLEAN SOLUTIONS

Our W300 and W400 combines are equipped with technology known from the top-of-the-range combines: The active tailings return system adds capacity to the overall combine performance. Large cleaning shoe areas, adjustable front and rear chaffer and an adjustable air flow of the fan ensure absolutely clean grain tank samples and low loss levels.

### High performance sieves

The performance of the cleaning shoe is enhanced by the manually adjustable rear chaffer sections on the W400 (fixed on the W300). The high performance sieves prevent with their "noses" that short straw particles make their way into the grain tank. Preparation pan, chaffer and sieve can be removed without tools in minutes to clean the complete combine from inside out.



### Active tailings return

The active tailings system re-threshes the tailing returns before distributing it evenly across the upper sieve. This increases threshing capacity by reducing unnecessary load on the main threshing cylinder. The tailings volume is measured electronically and displayed on the touch screen monitor inside the cab.

## UNLOADING SYSTEM WITH UP TO 100 L/SEC

The large, completely enclosed grain tank of the W440PTC can hold up to 7,600 l. It enables longer harvesting runs before unloading is necessary. The two adjustable sensors report 75% and full tank level. After dark, grain tank lighting provides the operator with a view of the tank via the wide grain tank window in the cab's rear bulkhead. Multiple access doors and a smooth interior make the tank very easy to clean. Seed producers will appreciate that at some grain tank options the cross augers can be removed for cleaning.

On the W440PTC the 100 l/s unloading system can empty a full tank in only 76 seconds. On all models the unloading auger swings to a conveniently wide angle, making it easily visible from the cab.



Grain tank augers on the smaller grain tank sizes can be removed without tools.





**Unloading System**

100 l/s unloading rate of the closed unloading system on PTC equipped models can empty a full tank in only 76 seconds. The auger is linked at the top of the grain tank to minimize interference with the side walls of large trailers.



**Good visibility**

The unloading auger is always in the view of the driver to ease filling the trailer. Unloading heights from 3 m up to 4.40 m are available to also reach out to large trailers.



**Grain sampling made easy**

Accessing grain samples for content monitoring on the W440PTC could not be simpler. It's easy to check the high quality of grain from your John Deere combine via the dedicated access point.



## QUALITY STRAW TO BALE OR VALUABLE FINE CUT STRAW SPREAD EVENLY

If you aim to maximise the amount of bales of straw per hectare the smooth threshing and separation concept of the W300 and W400 is made for you.

But also if your mainly chopping the straw we offer you up to 3 different chopper options – exclusive in this size class of combines. Our high-speed chopper cuts the straw in short and even pieces. Chopper and chaff spreader and distribute the material evenly over the whole width to achieve a quick and reliable rotting. In a professional minimum tillage system this reduces the risk of plant diseases for the next year's crop.

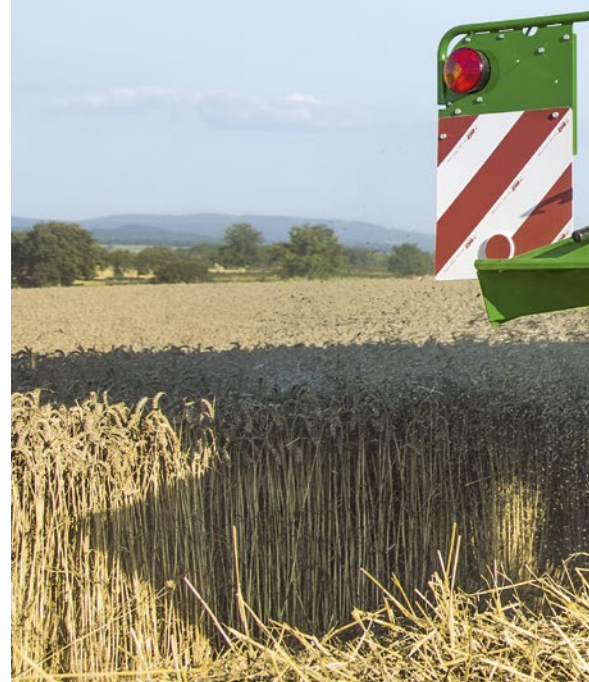
Exclusively in the industry you can choose out of 3 different chopper options suiting also your needs in terms of quality of cut and comfort.

The optional hydraulic chaff spreader offers several ways to distribute chaff like into the swath or spread to both sides. The chopper tailboard vanes can be adjusted manually or electrically (optional) from the cab. Even straw and chaff distribution is essential to a successful tillage operation and saves extra tillage passes as residue emerges evenly behind the combine and is easier to incorporate into the soil.

**EXCELLENT STRAW QUALITY**

**FINE CUT AND SPREAD**

**STRAW AND CHAFF**



### **Standard Chopper**

The standard chopper offers 44 smooth rotating and 45 fixed counter knives. With 3,300 rpm it cuts fine in lower yields, dry conditions and spreads evenly up to header width of 4.5 m.





**High Performance Chopper**

The high-performance chopper with 3,900 rpm, enlarged bearings and shafts suits wet and green conditions, higher yields and spreads to larger width.



**High Performance Comfort Chopper**

The high performance comfort chopper offers in addition the ease of operation you need when frequently changing from chop to drop. Just move a lever to activate a flap inside the straw hood directing the straw in the right direction. Same time the chopper is electrically engaged or disengaged without swapping belts and with clean fingers.



**Adjustable straw rakes**

Adjustable straw rakes simplify windrow width adjustment, allowing the use of balers with arrow pick-ups





**SPACIOUS ERGONOMIC CAB**

**WITH SUPERB VISIBILITY**

**EXCELLENT SOUND INSULATION**

## A GREAT PLACE TO WORK

The great design of the W300 and W400 extends to the spacious ergonomic cab. Both operator and instructor sit in comfort and there's still plenty of space like for a refrigerator box.

Superb visibility is complemented by controls that are grouped to provide intuitive operation and the colour, touch-screen display is conveniently mounted on the cab corner post. Excellent sound insulation limits intrusive noise, while electric mirrors and the 3-way adjustable steering column provide a relaxed and healthy driving position for all operators.

Operator comfort is assured by the heating and air-conditioning which comes in standard. The standard instructor seat also includes storage space for two water bottles.

**1**

### Corner-post mounted display

Perfectly positioned to avoid interference with your view to the header

**2**

### Climate control system

Air conditioning and heating with a multispeed blower comes as standard. Various air outlets provide even air distribution wherever you need it.

**3**

### Electric mirrors

Convenient in-cab control of the field of view in your mirrors.





4

#### Adjustable steering column

3-way adjustability for your preferred driving position. Includes pedal adjustment

5

#### Concave clearance adjustment

Electric independent clearance adjustment and display of the rear concave and the front concave (if equipped with PTC).

6

#### Multi-function handle and control console

Controls for all important combine functions at your fingertips



# MULTI-FUNCTION HANDLE AND CONTROL CONSOLE

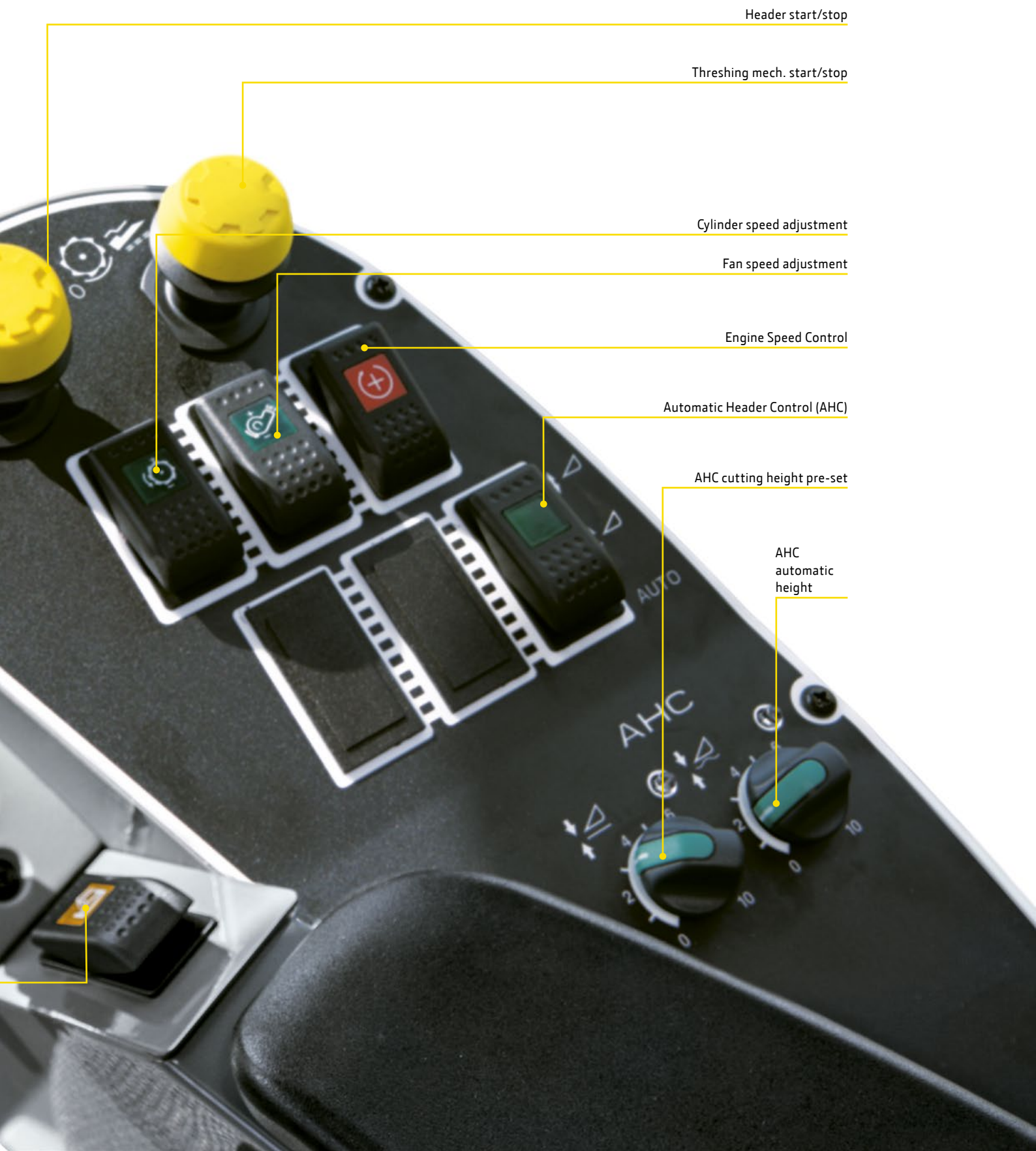
All important combine functions are managed via the multi-function handle: driving speed and direction, cutting platform position and angle, reel position and speed and the unloading auger. Other functions are located on the armrest control console next to the multi-function lever.





## Distance Height Control (DHC)

Save a header position for the headland and the field work by pressing the header up/down button together with the shift button on the rear of the hydro handle for several seconds. The positions can be resumed by quickly pressing the header up/down button and the shift button together.



Header start/stop

Threshing mech. start/stop

Cylinder speed adjustment

Fan speed adjustment

Engine Speed Control

Automatic Header Control (AHC)

AHC cutting height pre-set

AHC  
automatic  
height



## FULL-COLOUR TOUCH-SCREEN DISPLAY UNIQUE IN THIS CLASS

No other combines in this class can offer the convenience and refinement of a touch-screen colour display. The clear digital screen can be customised according to operator preferences to view all the necessary data and information concerning harvesting conditions and performance. You can also customize alarms and warnings preventing blockage of the whole combine.

The display is mounted in the ideal position on the cab corner post, easily reachable for touch-screen operation but not obstructing the view to the header.

Upgrade your W330/W440 with JDLink Select: JDLink Select is the perfect entry-level telematics solution. It shows you the location of every machine on a map, so you see at a glance which machines are closer to the target customer, and track your machines' hours since the working day began. JDLink Select is available as a kit from your John Deere dealer.



Optional cameras help to observe the rear of the combine during reversing or check chopping distribution. On the unloading auger they help to see inside the trailer while mounted next to the hitch they assist in connecting the header trailer. A separate monitor is mounted in the cab to display the camera picture.

## OPEN FOR BUSINESS

Large service doors provide excellent access to all significant drive-line and crop-handling components. The entire clean grain handling system, for example, can be easily accessed for a simple and quick clean out at the end of the season. Preparation floor panels are individually removable.

To maintain around-the-clock productivity, our W300 and W400 combines have around-the-machine 12V electricity plugs in order to connect a hand held work light.

A conveniently large storage box provides ample space for a toolbox, grease gun and wear parts.



### 3-Speed transmission

Both the W300 and W400 are equipped with a 3-speed transmission (top speed up to 25 km/h depending on legal regulations), and a 4-wheel drive system is available if you regularly encounter wet harvesting conditions. The tight turning radius make small field manoeuvring especially easy.





#### Grain loss and tailings monitoring

The screen displays walker and sieve losses as well as the tailing returns volume at the same time. The four display boxes at the top are customisable to show any detail of information available on the electrical CAN-BUS system.

### MACHINE SUPERVISION AND CONTROL

On the RPM overview screen the rpm of all shafts can be monitored. Alarms warn the driver to slow down to avoid blockages. Those can be configured for each shaft separately depending where the problematic area is (e.g. chopper blockages in rape seed or drum blockages in rye). Advanced users can even choose the speeds at which warnings should be activated. Overloading the combine is detected before blockages occur.

The system records operating data that can then be transferred to your office computer via a USB stick. The display also measures the harvested area and threshing time used and estimates the time required to finish the field.

### DISPLAY FUNCTION OVERVIEW

The in-cab displays provide the operator with the following information at a glance:

- Grain loss monitoring
- Operating speed
- Component rpm
- Machine calibration
- Machine diagnostics
- Documentation
- Hydraulic fluid overheating
- Max height exceeds 4 m
- Unloading auger not fully extended
- Straw guide for chopper or dropping straw
- Grain elevator blockage
- Bottom return auger blockage
- Vertical return auger blockage
- Straw hood blockage



#### Engine compartment

The Stage IV compliant 6-cylinder common rail engine uses the latest Selective Catalyst Reduction (SCR) technology to reduce exhaust emissions.

There is safe, unobstructed access to the large engine compartment, radiator and cooling package. Cleaning the air filter, changing engine oil and hydraulic fluid and refuelling have also been made as convenient as possible. The fuel efficiency of the W300 and W400 is excellent thanks to the light weight and its straightforward design.



#### Maximising uptime

In the field or on the road, uptime equals productivity, so we've made it our priority to develop effective new solutions to eliminate machine downtime. Our W300 and W400 combines will work for 600 hours between oil changes and there are only two daily greasing points.



#### Removable stainless steel walker bottoms

Smooth, removable stainless steel walker bottoms do not rust and provide quick and comfortable cleaning.



# YOUR JOHN DEERE DEALER – A TRUE HARVESTING PARTNER.



» It's tough out there during the harvest season because time is money. Your certified combine dealers are there to make sure your harvest runs smooth – whatever it takes. «





# A CERTIFIED PARTNER IS ALWAYS THERE FOR YOU

To guarantee you always benefit from a first-class harvesting service, before, during and after harvest, our dealers pass a rigorous certification programme. Please challenge us – we are prepared!  
Simply ask your certified John Deere partner about the following services:



## SPARE PARTS WITHIN 24 HOURS

Your Harvesting Partner takes advantage of the John Deere dedicated overnight parts delivery system day in day out and can provide more than 97% of all required parts within 24 hours to keep you moving



## BACK UP\*

Your dealer keeps you harvesting during those long harvesting days and provide a back-up machine if service work is required.



## EXPERTS IN PLACE

Certified dealers have full-time harvesting experts in place on the sales and service side to help you find the right model and specification required for your operation and are available during extended opening hours in season through dedicated hotlines. Factory trained experts setup your combine prior to the season and visit you in the season to make sure your machine is always running at the optimum performance level.



## TRAINING

Certified dealers deliver a professional driver training done by factory trained experts. Those trainings are offer year after year to refresh the knowledge season-by-season.



## EXPERT CHECK

Certified service specialists check your machine on over 180 points. They provide you with pre-season expertise to ensure your combine is ready for the next season.



## USED COMBINES: PREMIUM INSPECTED\*

Check out [www.machinefinder.co.uk](http://www.machinefinder.co.uk) for our Premium Inspected Used Combines. All Premium Inspected combines have received the Expert Check. All necessary repairs are executed using original John Deere Quality spare parts to ensure your harvesting success.



# Specification

	W330 PTC	W440	W440 PTC
<b>ENGINE</b>			
Type	6-cylinder, 6.6 l engine	6-cylinder, 7.4 l engine	6-cylinder, 7.4 l engine
Rated power, kw/hp/PS	150/204/207	175/234/238	175/234/238
Max. power, kw/hp/PS	157/210/215	186/249/253	186/249/253
Emission level	Stage IV	Stage IV	Stage IV
Fuel tank capacity, l	350	450	450
DEF tank capacity, l	30	60	60
<b>DRIVE SYSTEM</b>			
	Hydrostatic ground drive with 3 speed transmission	Hydrostatic ground drive with 3 speed transmission	Hydrostatic ground drive with 3 speed transmission
<b>CAB</b>			
	Heating, ventilation, air conditioning system	Heating, ventilation, air conditioning system	Heating, ventilation, air conditioning system
	Colored touch screen Display	Colored touch screen Display	Colored touch screen Display
	3-way adjustable steering column	3-way adjustable steering column	3-way adjustable steering column
	Grammer seat	Grammer seat	Grammer seat
	Integrated operator training seat	Integrated operator training seat	Integrated operator training seat
<b>HEADER</b>			
Cutting width, m	3.90, 4.20, 4.50, 4.80, 5.10	4.90, 5.50, 6.10, 6.70	4.90, 5.50, 6.10, 6.70
Strokes/min	1,020	1,020	1,020
Reverser	Electrically	Hydraulically	Hydraulically
<i>300R headers for W300 combines do not fit on W400 combines. The 600R headers for W400 combines do not fit W300 combines.</i>			
<b>FEEDERHOUSE</b>			
Lift cylinders, mm	50	50	50
Number of chains / number bars over the whole width	3 / 1	3 / 2	3 / 2
Dump-type stone trap	Base	Base	Base
Distance Height Control (DHC) saving a headland and a working position	Option	Base	Base
Automatic Height Control (AHC), including DHC	Option (height)	Option (height and lateral tilt)	Base (height and lateral tilt)
<b>SEPARATION SYSTEM</b>			
Pre-Threshing cylinder diameter, mm	400	–	400
Pre-Threshing cylinder speed range	80% of main cylinder	80% of main cylinder	80% of main cylinder
Threshing drum width, mm	1,110	1,330	1,330
Threshing drum cylinder diameter, mm	500	500	500
Threshing bars, number	8	8	8
Threshing drum speed range, rpm	600 - 1,300 or 400 - 1,150	600 - 1,300 or 400 - 1,150	600 - 1,300 or 400 - 1,150
Concave warp, °	105	105	105
Pre-Threshing cylinder active separation area, m <sup>2</sup>	0.34	–	0.41
Main concave active separation area, m <sup>2</sup>	0.51	0.62	0.62
Total active separation area, m <sup>2</sup>	0.85	0.62	1.03
Fixed speed rear beater diameter, mm	350	350	350
Walkers with removable bottoms, number	5	6	6
Walker area, m <sup>2</sup>	4.80	6.30	6.30
PowerSeparator	Option	Option	Option
<b>GRAIN HANDLING</b>			
Manual adjustable chaffer and sieve	Base	Base	Base
Electrical adjustable chaffer and sieve	–	Option	Option
Laser Tailing Monitoring	Base	Base	Base
Grain tank, l	5,200	6,500	7,600
Grain tank extension operation	Manual	Electrical	Electrical
Removable bottom auger	Base	Base	–
Unloading auger hinge position	Bottom	Bottom	Top
Unloading height, m	3.30 option 4.00	4.00	4.40
Unloading rate, l/sec	55	55	100
<b>LIGHTING SYSTEM</b>			
	4 on-highway headlights	4 on-highway headlights	4 on-highway headlights
	8 field working lights	8 field working lights	8 field working lights
	Cleaning shoe lights	Cleaning shoe lights	Cleaning shoe lights
	Grain tank lights	Grain tank and unloading auger lights	Grain tank and unloading auger lights



## Header 300R

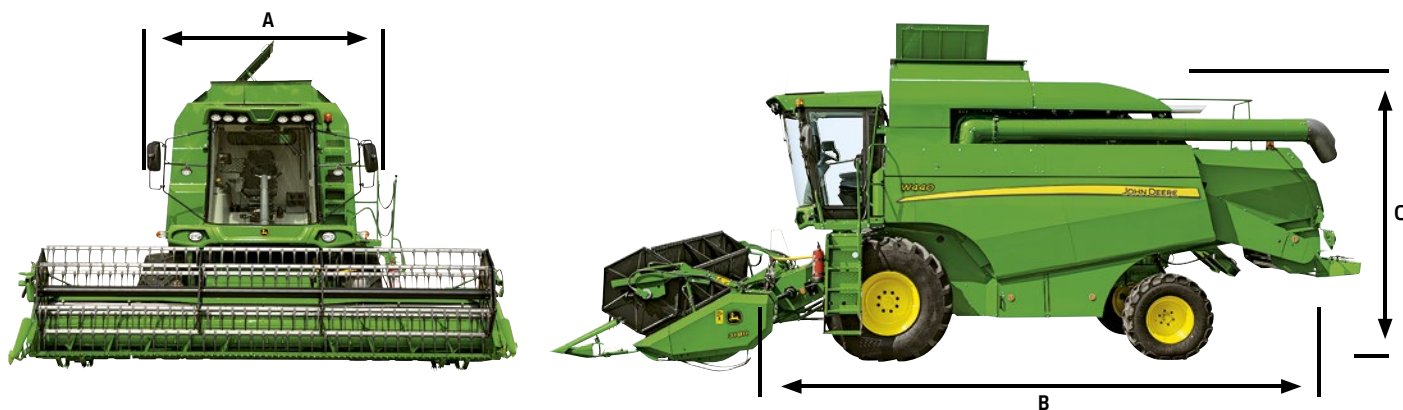
	313R	314R	315R	316R	317R
W330	3.90 m	4.20 m	4.50 m	4.80 m	5.10 m

## Header 600R

	616R	618R	620R	622R
W440	4.90 m	5.50 m	6.10 m	6.70 m
W440 PTC	4.90 m	5.50 m	6.10 m	6.70 m

## Dimensions

	W330 PTC	W440	W440 PTC
Length [B], m	8.28	8.61	9.03
Height [C], m	3.65 (depending on tire size)	3.98 (depending on tire size)	3.97 (depending on tire size)
Width [A], mm			
with tyres: 600/65 R34	2,998	–	–
with tyres: 620/70 R38	–	3,298	3,298
with tyres: 650/65 R38	–	3,398	3,398
with tyres: 750/65 R26	3,298	–	–
with tyres: 800/65 R32	–	3,700	3,700
Weight without header and chopper, kg	9,000	10,970	12,290

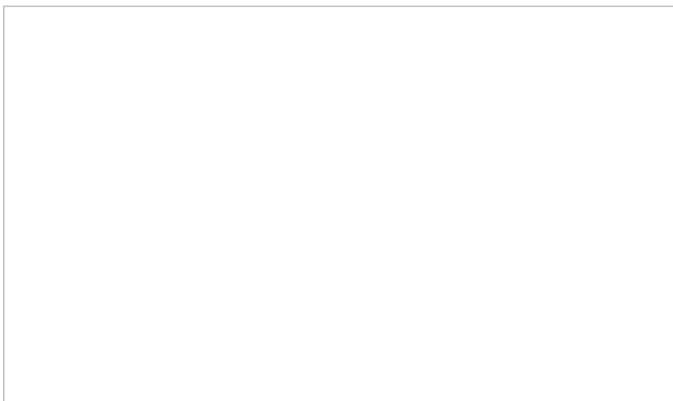




# W300 AND W400 COMBINES

## Your advantages at a glance:

- Modern cab with touch-screen
- High capacity threshing performance within overall narrow dimensions
- Pre-threshing cylinder (PTC), standard on W330, optional for W440
- Compact combines with a re-thresher
- Low fuel consumption with Stage IV engine
- Large grain tank with high unloading speed
- Uniquely high levels of accessibility and serviceability.
- Built with the operator in mind
- Clean grain tank samples and high grain quality
- Combine certified dealers carry all parts and are staffed by John Deere trained technicians



John Deere Financial – A range of finance options as powerful as our products. Contact your John Deere dealer for a comprehensive range of finance options to suit the specific needs of your business. Not available in all countries please consult your local dealer.

This literature has been compiled for worldwide circulation. While general information, pictures and descriptions are provided, some illustrations and text may include finance, credit, insurance, product options and accessories not available in all regions. Please contact your local dealer for details. John Deere reserves the right to change specification and design of products described in this literature without notice. The green and yellow color scheme, the leaping deer logo and the JOHN DEERE word mark are trademarks of Deere & Company.

[JohnDeere.com](http://JohnDeere.com)