

# John Deere Combines

Raising your expectations





**The John Deere Difference**

- More than 80 years of experience designing and building high quality harvesting equipment
- Five different combine lines
- Available with integrated technology solutions

**Then:**

- John Deere began manufacturing combines in 1927 with the model No.1 and No.2
- The model 55, John Deere's first self-propelled combine, was first sold in 1947
- The 630 combine was designed and built in Zweibrücken, starting in 1965, for the high yielding, long straw grain crops found in Europe.

**Now:**

- John Deere holds 45.5% market share worldwide
- Has four state-of-the-art factories on four different continents
- Offers four different threshing and separating technologies
- Has sold more than 1.1 million combines in the past 80 years

# Harvesting nearly half the world's grain – and still growing

Manufacturing excellence is a hallmark of John Deere. Nowhere is this more evident than in the John Deere combine line-up. These machines are largely the result of a tremendous investment into research and development, as well as manufacturing technologies.

But there's another significant contributor to the quality of these machines – our focus on meeting customer needs. Starting in 1927 in North America and since 1965 in Europe, we have been providing innovative solutions that help farmers and contractors harvest more easily, efficiently and effectively.

John Deere is more than just a visionary manufacturing company. It is an organisation dedicated to helping you produce and harvest crops to feed the world. The best way we can do this is by developing equipment that takes your harvesting experience to the next level.

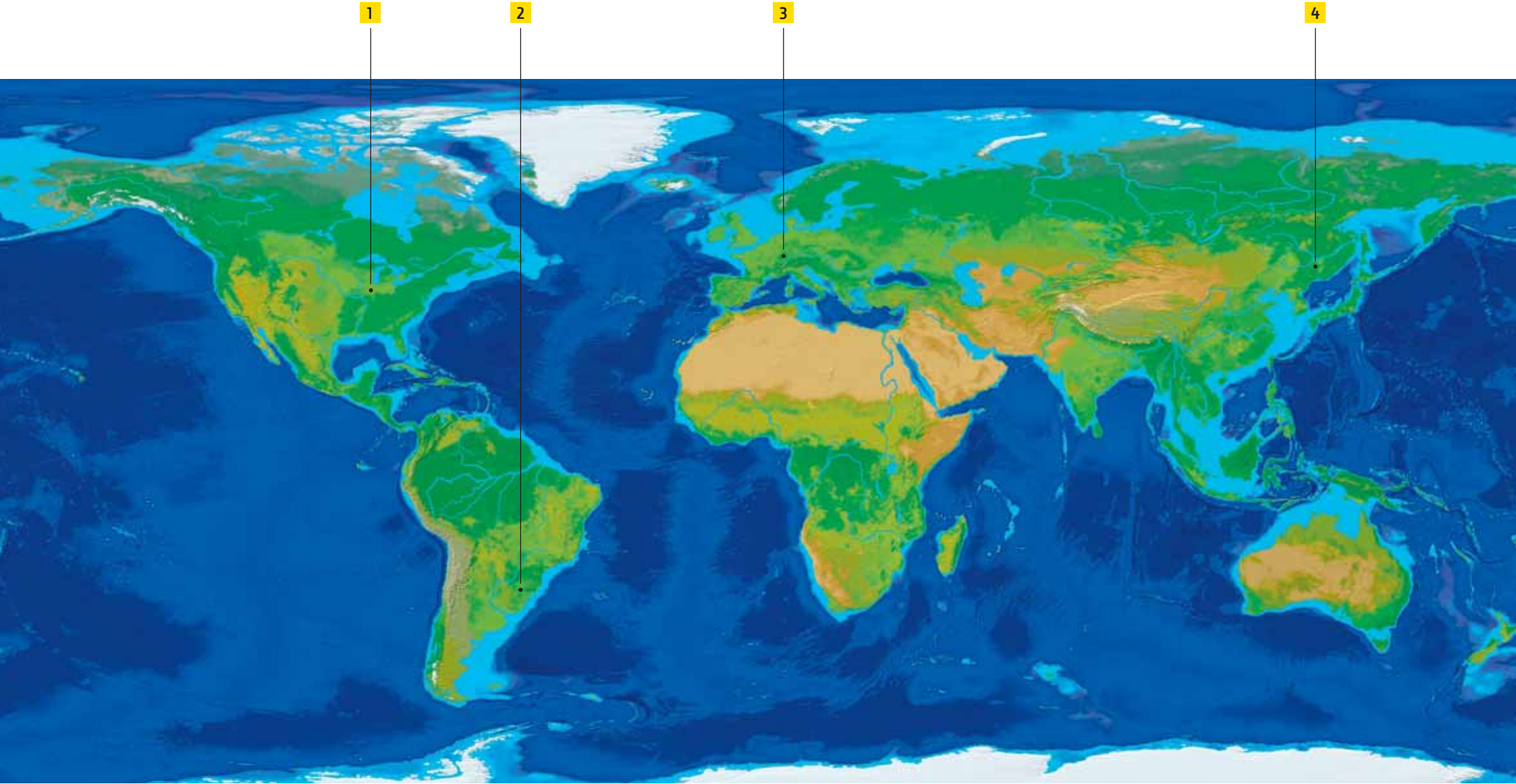
How do we do that? By offering i-Solutions packages that make the harvest season incredibly productive or by adding a ProDrive transmission that doesn't require shifting while in the field for less operator stress. Or even by fitting combines with simple improvements such as the new CommandCenter display providing more intuitive operation for easier harvesting.

Add it all up and the result is a commitment to the harvesting business that truly helps forward the business of harvest. No wonder John Deere combines are now harvesting nearly half the world's grain – and still growing.

## Table Of Contents

Introduction.....	2-3
Worldwide Manufacturing Facilities.....	4-5
Experience/Engineering/Production Quality.....	6-7
Customer Comments.....	8-13
Product Line Overview.....	14-15
i-Series.....	16-17
600R Series Platforms.....	18-19
CWS-Series 2 Platforms and Feederhouse.....	20-21
Feederhouse for W, T, C, S-Series.....	22-23
600C Corn Heads.....	24-25
Grain and Straw Quality.....	26-27
Separation Systems	
S-Series.....	28-29
S-Series Cleaning Shoe.....	30-31
C-Series.....	32-33
T-Series.....	34-35
W and CWS-Series.....	36-37
W, T and C-Series Cleaning System.....	38-39
CWS-Series 2 Separation and Cleaning System.....	40-41
Grain Handling	
S-Series.....	42-43
W, T and C-Series.....	44-45
Chopping.....	46-47
Windrowing.....	48-49
Residue Management CWS-Series 2.....	50-51
Engines.....	52-55
Drivelines.....	56-59
ProDrive.....	60-61
Cab Controls.....	62-63
CommandCenter.....	64-65
Combine Optimisation.....	66-67
CWS-Series 2 Cab Controls.....	68-69
HarvestDoc and HarvestMonitor.....	70-71
AutoTrac and GreenStar Common Components.....	72-73
HarvestSmart.....	74-75
HillMaster.....	76-77
Parts.....	78-79
Service/Support.....	80-81
S-Series Specifications.....	82-83
C-Series Specifications.....	84-85
T-Series Specifications.....	86-87
W-Series Specifications.....	88-89
CWS-Series 2 Specifications.....	90-91





# Partnering With Those Who Feed the World

With four manufacturing facilities in Europe, Asia, North America and South America, John Deere is a worldwide leader in combine production. See the list below of each factory to learn where John Deere combines are operating worldwide.

## 1. John Deere Harvester Works East Moline, Illinois, USA

*Nearly half of the combines sold in the world are produced by John Deere. Many of these are produced at John Deere's Harvester Works, USA, birthplace of the S-Series combines and 600C-Series corn head. With over 8,000 S-Series combines produced each year this makes STS technology the most successful harvesting technology available today. The drive for reliability continues to keep us focused on the highest quality standards.*

## 2. John Deere Horizontina Rio Grande do Sul, Brazil

*Production capacity has dramatically expanded at John Deere Horizontina, Brazil, to serve the needs of not only South American markets but also European economy machine markets. The CWS 1450 and 1550 Series (2 models) have gained a solid reputation for providing reliable field performance at a reasonable price. This plant also assembles S-Series combines for fleet owners with up to 50,000 hectare farms in Mato Grosso.*

## 3. John Deere Werke Zweibrücken Zweibrücken, Rheinland-Pfalz, Germany

*With roots stretching all the way to 1863, John Deere Werke Zweibrücken, Germany, is a centre for excellence in the development and production of combines & SPFH. Farmers and contractors have come to appreciate our proven machines for their well known John Deere quality, performance and reliability in a wide range of crops and conditions both in Europe and across the world.*

## 4. John Deere Jiamusi Works Jiamusi, Heilongjiang, China

*Agricultural production in China is already immense but its potential is staggering. To serve this emerging giant, John Deere Jiamusi Works continues to build its reputation as a manufacturer of dependable, efficient, high quality John Deere combines and other agricultural machinery. The facility offers the same quality standards and processes that other John Deere factories use along with the same customer focus.*

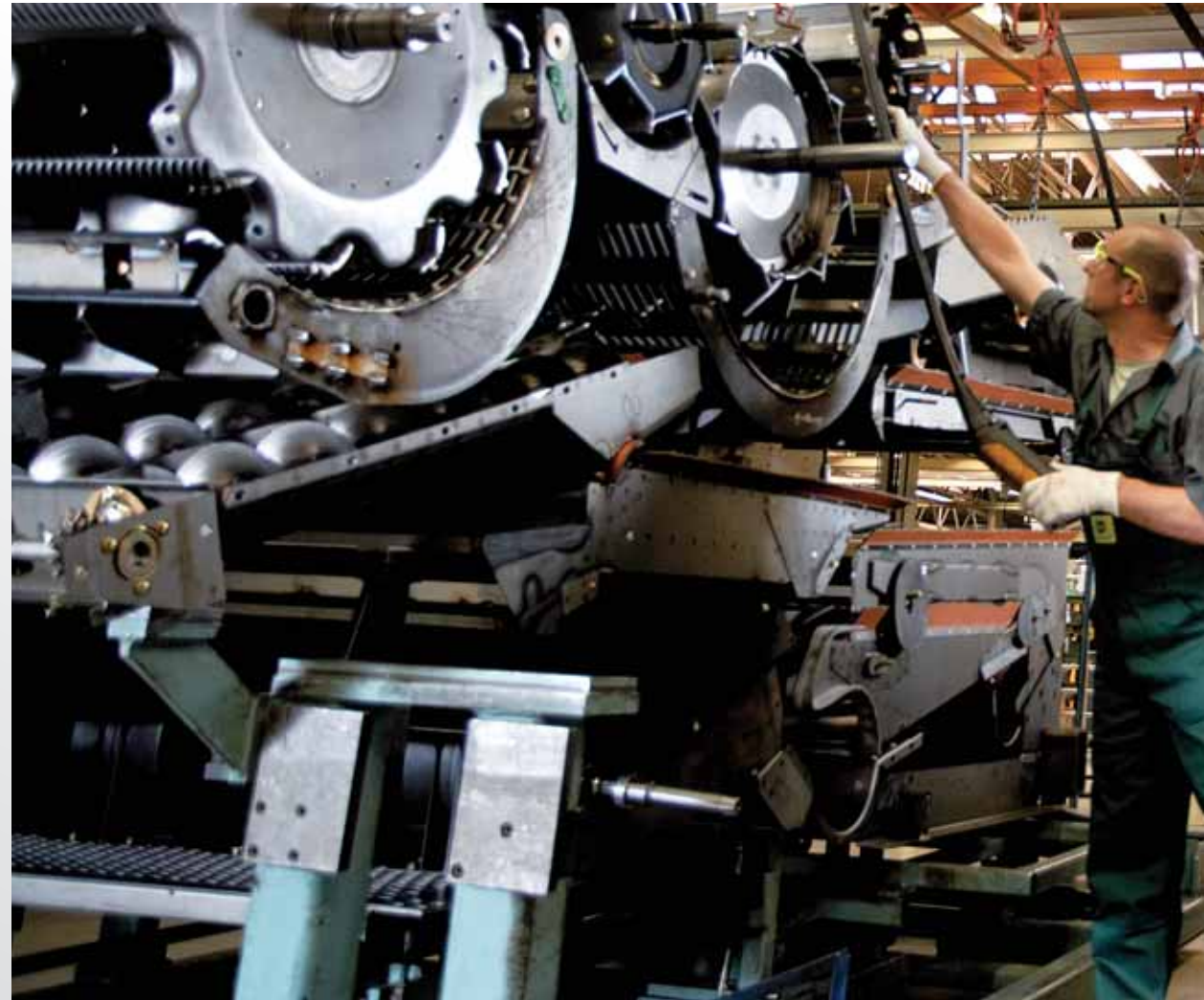
## Intelligent. Innovative. Integrated. A legacy of harvesting excellence.

It was John Deere himself who set the highest standards for excellence that ultimately redefined the word “success.” By always putting customers first and investing heavily in research and development, worldwide testing and production quality, John Deere has become a respected name worldwide for extremely reliable machines, made to handle the full range of demands from all corners of the earth – a truly international name you can trust. It’s a tradition that lives on today in our harvesting equipment.

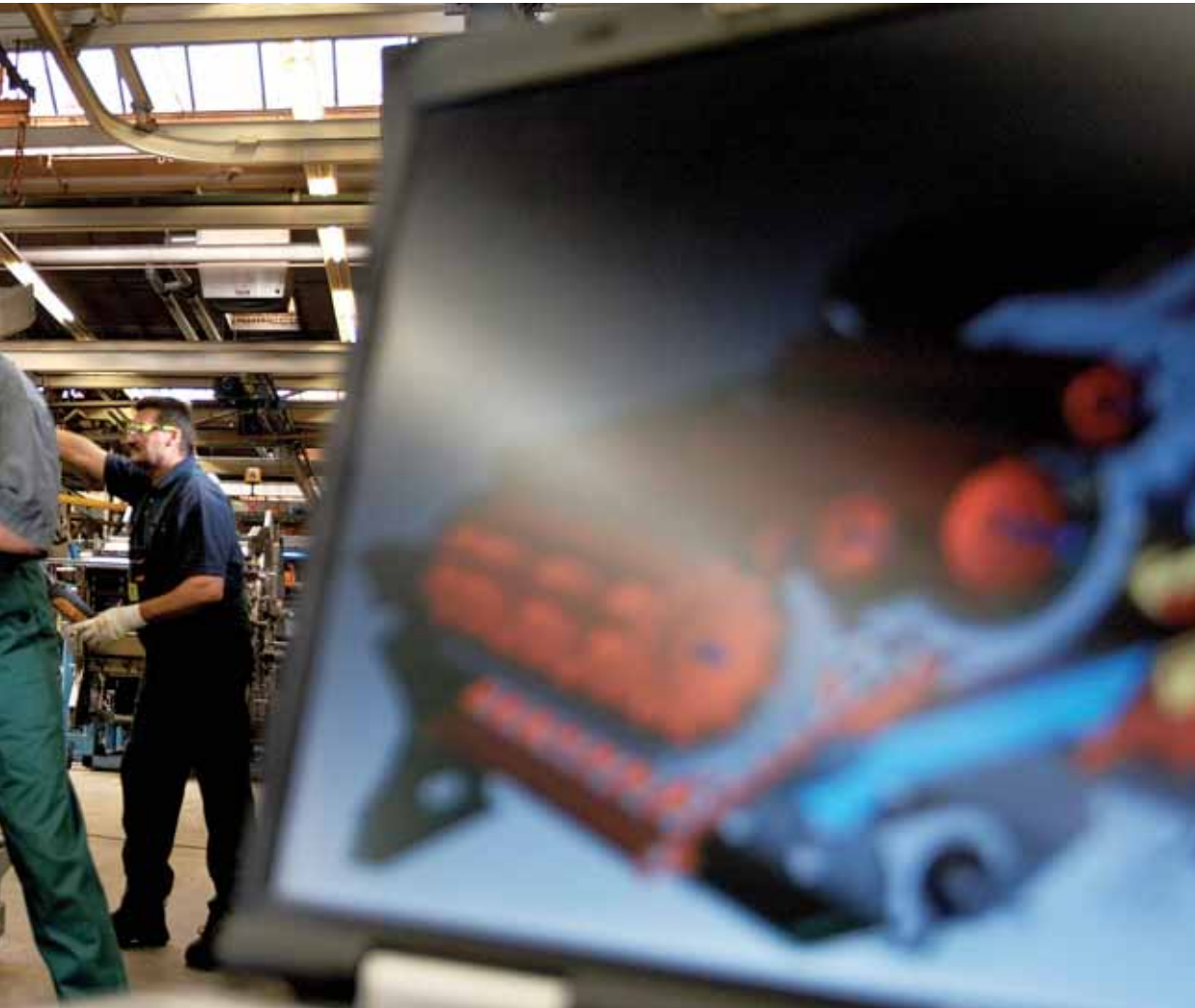
You’ll find the highest quality harvesting equipment at all John Deere combine factories. That includes John Deere Werke Zweibrücken, considered the competence centre for self-propelled harvesting equipment in Europe, Asia and the Middle East. With many of the industry’s leading professionals in harvesting, John Deere continues to build upon its success with new innovations such as the new T-Series combines. We strive to not simply meet your expectations but to exceed them. Not just because it’s good business but because it’s the right thing to do.



*“I will never put my name on a product that does not have in it the best that is in me.” – John Deere*



*John Deere manufactures more than 15,000 combines each year in four factories.  
Worldwide, John Deere has manufactured more than 1.1 million combines since 1927.*



**Lutz Bischoff, Design Engineer**

*"Every day, John Deere engineers around the world are working on innovations and new features to benefit our customers. Recent examples of industry leading innovative technology include HillMaster, HarvestSmart, AutoTrac, ProDrive and the T-Series concept."*



**Benjamin Büchner, Sr. Quality Engineer**

*"Our goal is to always provide the best-in-class product and manufacturing quality. That goal is captured very well in our 'Reliability Is Our Strength' motto. Customers all around the globe can depend on us. This drives John Deere in everything we do."*



**Harald Freyer, Manager, Test Department**

*"With our machines being tested all year round, all over the world and in completely different conditions, we ensure that our combines deliver the best possible performance and reliability. Within the test department we continuously improve our test procedures and our analysis methods to develop an extremely reliable product in a short period to fulfil all your farming requirements."*

***“There’s nothing more reliable than a John Deere. I should know, I run a fleet of seven of them.”***

*“It’s all about trust and confidence. My customers expect it. I expect it. And you’d better believe it, John Deere combines deliver.*

*“I’ve always found John Deere’s hybrid technology to be extremely reliable, especially in green and damp straw. The cutting platforms are outstanding in laid crops and direct cutting with oilseed rape is also very good.”*

*“These machines harvest just over 7,000 hectares a year including wheat, barley, linseed, oilseed rape and beans on a dozen different farms. The wheat output is averaging about 45 tonnes per hour, sometimes 50 when conditions are right. I couldn’t ask for better efficiency.”*

*“When it’s time to harvest, you need to be ready to go or we don’t get the work. That means my machines are all working at the same time. I’ve never had to worry about them. We’ve always got through harvest without any breakdowns.”*

---

Peter Reynolds, successful contractor who trusts John Deere to provide all the reliability, uptime, efficiency and expert service he needs to run his business.



**The John Deere Difference**

- Premium combine lines that deliver outstanding productivity
- Integrated technology solutions
- A broad dealer network for excellent customer support





## Meet Peter Reynolds, owner of a successful contracting business

- He runs seven combines including two proven C-Series machines – featuring the narrowest transport width without compromising output – and the new high capacity walker T-Series machines, allowing him to meet all of his customers' requirements.
- His T-Series combines provide excellent straw quality and the highest capacity for his customers needing good straw for bedding and willing to pay for it.
- All of Peter's machines are i-Series combines. AutoTrac and HarvestSmart enable him to utilise his combines' maximum potential and the mapping lets him offer a complete package to his customers.
- As a contractor, he views reliability and uptime as critical to his business success.
- Peter needs a good, reliable back-up service to follow the combine around and parts back-up is a necessity.

## “Grain quality and output doesn’t get any better than this.”

*“Efficiency is what I need and there is none better than my John Deere S690i. The straw chopper has a powered spreader powering the chaff into the chopped straw providing an even spread across the full cutting width of the combine. The chop quality is second to none and sets the fields up perfectly for my min-till cultivations.”*

*“The capacity has to be large because of the size of our operation. Last harvest we were consistently getting grain outputs of 55 to 60 tonnes an hour. The unloading rate was incredibly fast, too. It only takes a minute and a half to empty the huge 11,000 litre tank.”*

*“The AutoTrac feature drives the combine better than we can. We just set the line from A to B and the combine drives straight down the field, even on hills. The ‘intelligent’ option means you just sit back and let the machine get on with the harvest.”*

Stephan Devlin, large arable farmer who depends on John Deere to provide him with all the capacity he needs for all his land.

### **The John Deere Difference**

- A range of combine solutions
- Integrated technology solutions
- Many credit options available



## Meet Stephan Devlin, farmer of 1450 hectares – some owned, some rented.

- Stephan needed a reliable combine, big enough to harvest all his land and versatile enough to cut all his crops, ranging from oilseed rape to corn.
- Stephan also chops most of his straw, requiring an evenly spread distribution – a must for his minimum-tillage operations.
- His land is filled with rolling hills and steep slopes and that’s why Stephan chose the HillMaster feature for his i-Series combine.
- The i-Series package gave him up to 23% extra capacity. HillMaster allowed him to ride level on slopes close to 22% very comfortably and ensures that he can utilise the machine’s full capacity at all times. ProDrive also gave him unmatched hill-climbing capabilities.



## ***“I’m breaking all the harvest records my father set.”***

*“My father always set the performance bar very high. He didn’t just talk about it, he lived it. For years, his combine’s output, crop yields and grain quality were always the best in the whole area. I learned a lot from him – the virtues of honesty, integrity, hard work and reaping what you sow. Now, I’m teaching him a thing or two.*”

*“The W540i is our first-ever i-Series combine. I wanted a machine with all the features I need to run a modern, highly efficient farm business and capable of harvesting a variety of crops. With a compact and efficient design that produces the very best grain quality, plus assisted steering and yield mapping, the W540i delivers all I need.*”

*“With AutoTrac, I also could see the potential of the HarvestSmart automatic feedrate control. The automatic steering lets you really look and listen to the combine in the field and it feels great knowing it’s working at 100% capacity all day long. Does my father mind I’m doing better? Not at all. His smile says it all.”*

---

Martin Schulster, medium arable farmer who knows all about John Deere’s proud legacy and commitment to family farms.



### **The John Deere Difference**

- Combines designed to provide excellent grain and straw quality, as well as a premium operator experience
- Strong dealer network for excellent customer service



### Meet Martin Schuster, fifth-generation owner/ operator, family farm

- Martin farms 160 hectares with wheat as his primary crop. He needs the straw for his family's 200-head dairy herd.
- Martin also bales and sells his straw, so straw quality is a must.
- Located in a hilly area with narrow roads, transport width and a combine levelling option are very important.
- Martin has run John Deere HillMaster combines for many years and now operates a W540i HillMaster that provides maximum output from his walker combine, as well as stability on steep slopes.

## A broad product line for a wide array of needs

5 different combine models, 4 different separator concepts - John Deere delivers the perfect machine for your applications, regardless of crop type, conditions or location.



### **CWS-Series 2 Combines**

- Use proven walker technology for a dependable performance
  - Economical choice
  - Cab provides optimum visibility and outstanding capacity
- 1450 Series 2 • 1550 Series 2

### **W-Series Combines**

- Known for reliability
  - Well suited to areas with high yields
  - Features walker technology
  - Gently handles crop and provides excellent straw quality
  - Available with HillMaster
  - Available with all premium features and productivity-enhancing i-Series packages
- W540 • W540i • W550 • W550i • W650 • W650i • W660 • W660i

### **T-Series Combines**

- Premium operator experience
  - Outstanding quality outputs, including grain and straw quality
  - Offered with a premium straw chopper to spread chaff while windrowing straw
  - Available with HillMaster
  - Available with all premium features and productivity-enhancing i-Series packages
- T550 • T550i • T560 • T560i • T660 • T660i • T670 • T670i



#### **C-Series Combines**

- Hybrid combines
- Features the often-imitated multi-tine separation system
- Provides exceptional in-field performance
- Sized for easy road transport
- Available with HillMaster
- Available with all premium features and productivity-enhancing i-Series packages  
C670 • C670i



#### **S-Series Combines**

- The most modern rotary combine technology
- S-Series technology provides high separator capacity and exceptional grain quality
- Highly durable & simple design
- Available with HillMaster – a feature not offered on any competitive combines this size
- Available with all premium features and standard with the productivity-enhancing i-Series package  
S690i

# Get up to 23% more harvesting productivity

All W, T and C-Series combines from John Deere are available as i-Series, which is standard on the S690i. With productivity enhanced technology, it's proven to boost your output by up to 23%.\* Choose from these packages:

## **i-Pro**

This top-of-the-line package lets you take full advantage of available harvest technology. With i-Series Pro, you get the best of everything John Deere has to offer: documentation software, hands-free harvesting, shiftless operation during harvest and maximised throughput.

### **Package includes:**

**ProDrive.** This automatic-shift transmission removes the hassles associated with hilly terrain. It also provides a significantly higher torque when operating at harvesting speeds and on the road, resulting in better performance. ProDrive also includes a differential lock in base equipment.

**HarvestSmart.** Consistently get the most out of your combine's capacity with HarvestSmart. The system ensures you maintain a consistent feed rate by changing ground speed to compensate for crop variation. ProDrive further enhances the performance and efficiency of HarvestSmart.

**HarvestDoc.** Capture yield and mapping information for every part of every field with HarvestDoc. Use this data to make informed planning decisions. To learn more see page 70.

**AutoTrac.** Our satellite based steering systems lets you get the most out of every pass in the field – hands free. Always a full cut, AutoTrac increases efficiency and takes the strain off the operator. The large, high-resolution GreenStar 2600 touch screen display makes it easy to control. Learn more on page 72.

\* Tests in collaboration with Weihenstephan University of Applied Science (2006) showed that the combination of AutoTrac and HarvestSmart delivers up to 23% more throughput (measured in t/h) over a manually steered and operated machine.

## **i-Complete**

Everything you need to maximise your combine output. Complete with HarvestSmart, AutoTrac and HarvestDoc, the machine will arrive with all the necessary components. Receiver and screen included.

## **i-Complete Ready**

This option allows customers who already own a StarFire receiver and a GreenStar 2 display to make full use of the harvesting capacity without additional investments.

## **i-Pro Ready**

This option allows customers who already own a StarFire receiver and a GreenStar 2 display to make full use of the harvesting capacity without additional investments.

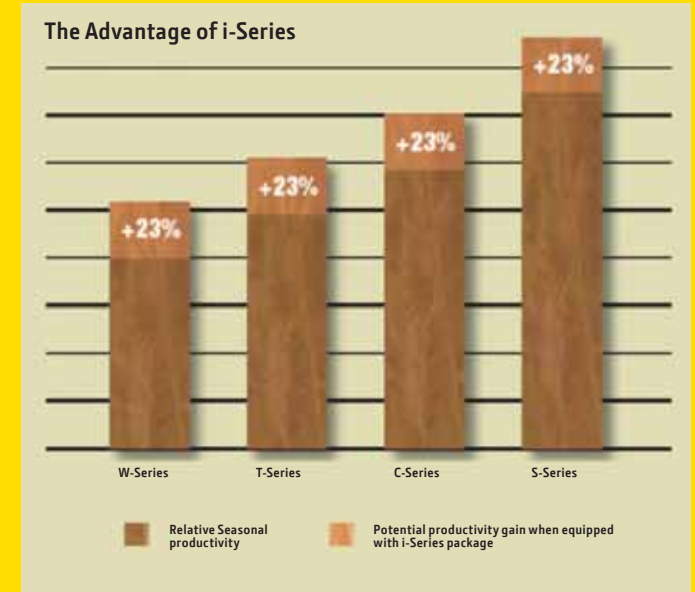






## How productivity stacks up

As this chart shows, i-Series package adds up to 23% more output. So what's best? That depends on your harvesting needs. Whatever your requirements – capacity, threshing design, residue management or price – your John Deere dealer can help you select a combine and equip it for maximum harvest potential.



## Maximise your harvest potential with the 600R Series Platforms

Put one of the John Deere 600R Series Platforms on your combine and you'll get lower, faster cutting that you can easily adjust to suit your conditions.

Available in widths from 4.30 to 9.15 metres, the 600R Platforms feature stainless steel feed plates to help keep crop sliding smoothly into the four-way adjustable auger, while the epicyclical counterbalanced knife drive provides almost vibration-free cutting with less shatter loss. And to help you start quickly every day, all 600R Platforms feature single-point attachment of electrical and hydraulic lines as well as latch pin engagement and no daily maintenance.

MODEL	WIDTH
614R	4.30 m (14 ft)
616R	4.85 m (16 ft)
618R	5.50 m (18 ft)
620R	6.10 m (20 ft)
622R	6.70 m (22 ft)
625R	7.60 m (25 ft)
630R	9.15 m (30 ft)

**All 600R Series platforms can easily be switched** between any W, T, C and S-Series or appropriately equipped 1450 / 1550 Series 2 combines



*To provide additional harvesting versatility, John Deere combines are compatible with Zürn header equipment. Get all-crop capability with the Premium Flow cutting platform or choose a harvesting solution developed specifically for rape, sunflowers or peas.*



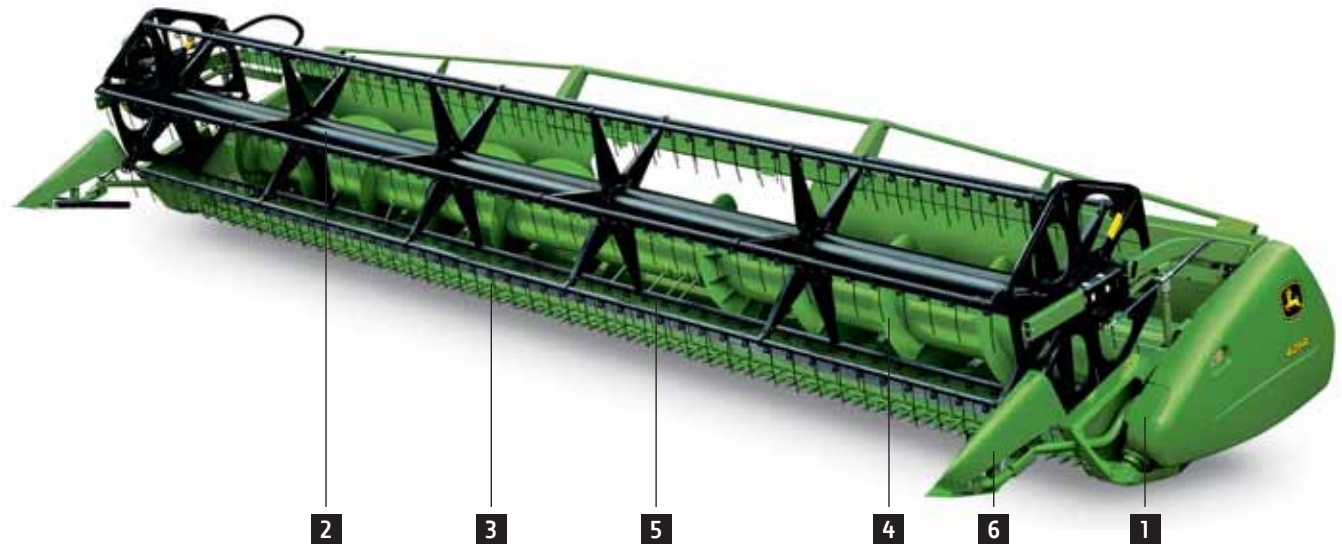
### The John Deere Difference

- Automatic cutting height and ground pressure give you the versatility to harvest in a wide range of conditions
- HeaderTrak system automatically maintains cutting height, even over rough ground
- Variety of widths lets you choose the platform that fits your fields and roads



1. A positive, epicyclical gearcase knife drive provides in-line knife motion for almost vibration-free operation. The counter-balanced drive provides smoother cutting, less shatter loss. Non-clog knife guards fully enclose the knives for cleaner cutting. Higher knife speed, double cut knife system and longer knife stroke enhance cutting capacity. Knife sections are self-cleaning and bolted for easy replacement in the field.
2. With the small diameter reel tube, open ends and open spider frames, this allows the best possible visibility to the knife, and crop dividers for the operator.
3. Stainless steel feed plates in front of the auger will never rust. Smooth, even feeding to the intake auger, year after year, season after season.

4. The massive, 660 mm intake auger provides plenty of feeding capacity. Plus, you can adjust the auger four ways (up/down and fore/aft) to ensure smooth, higher capacity material flow. You get much better feeding performance in difficult conditions.
5. Retractable fingers are positioned the full length of the auger to smooth feeding and boost capacity. Breakaway grooves and retainers are standard; no chance of a broken finger entering the combine.
6. Short and long folding crop dividers. Simply fold the dividers into the platform for transport; no need to remove them before you drive on the road. No need to carry heavy attachments or to look for a storage place, either.



## Series 2 Platform and Feederhouse: proof that performance can be economical

Besides the full range of 600 Series platforms, John Deere also offers, for the 1450-1550 Series 2 combines, the 300 Series platform, a header which comes with first-class features at an economical price. These platforms are made to complement the throughput capacity of Series 2 combines and so are equipped for productivity. A stainless steel cutting table, hydraulic reel drive and adjustable table length are just a few of the features that deliver outstanding cutting performance.

To help you maximise feeding in every field and crop, the distance from the cutterbar to the auger is adjustable. For short straw, peas and light crop, position the cutterbar close to the auger. For tangled, wet or tall crop, increase the distance. You can also tilt the floor up to 9 degrees to handle changing field or crop conditions and tyre combinations.

So don't settle for a competitive platform when you can have John Deere quality at a great price. Talk to your dealer about which 300 Series platform is right for your operation.

300 Series Platforms*	
Model	Width
316	4.80 m
319	5.70 m

\* Not for UK and Ireland.



### **The John Deere Difference**

- 300 Series platforms offer exceptional cutting at a very economical price
- Simple adjustments make it easy to match conditions for optimum performance
- Heavy duty reverser dislodges the most stubborn plugs to help you keep pace in tough conditions



**Rugged feederhouse** offers 3-strand (1450 CWS-Series 2) or 4-strand (1550 CWS-Series 2) conveyor chain for all-crop, all-condition feeding. There's no need to switch to different slats, drums or chains ... costly, time-consuming changeovers that can affect your productivity.



**A stainless steel feedplate** runs the full width of the platform to improve feeding. Virtually rustproof, it never requires painting or polishing.

### Now, it's your choice

Superior cutting performance comes in all shapes and sizes. 300 Series platforms are an economical choice with first class features. Or, for even higher productivity, choose deluxe 600R Series platforms (see pages 18 – 19). The following features are just a sample of many high value characteristics of the 600R Series platforms:



**Single lever latching** gives you the ultimate in header hook-up convenience. One lever connects the multicoupler, engaging the hydraulics, electrics and platform attachment pins. (Available for 600R Series platforms on the CWS-Series 2)

**HeaderTrak controls** harvest more grain at faster speeds in any terrain. That's the beauty of HeaderTrak automatic header control (optional with 600R Series platforms). It's an excellent system for working on slopes, uneven ground or in laid crops.



**Engage the ground float control** to achieve a really close cut, ideal for laid cereals or crops like peas. Ground pressure is adjustable to match varying soil and crop conditions.



**Touch the stubble height button** for a smooth, consistent stubble height control. Four sensors under the header monitor correct header height and lateral tilt for perfect ground following. And a dial adjustment lets you select a perfect stubble height.

## Heavy duty feeding for high yielding fields

The feederhouse has one of the most difficult jobs of any system on the combine. It needs to feed crop in a consistent layer to the separating system, in crop which can vary from one metre to the next.

How do we accomplish this? We use a heavy duty conveyor chain that turns on a large, floating front drum. This design contributes to a smooth crop flow. Because we use a long feederhouse design we offer better visibility to the front end and smoother feeding.

Other advantages to the John Deere system: We use a high-torque, high strength slip clutch, which provides the capacity to handle the toughest, greenest crops.

There's also the 80 hp reverser on the W, T, C-Series machine and a massive 135 hp on the S-Series, which takes power from the engine for consistent, dependable performance. Finally, our "straight-through" feeding design ensures that the feeding, threshing and separating components are the same width, so the crop mat is less likely to change direction or shape.

Add it all up, and you get a feeding system that has the capacity to efficiently handle a heavy crop mat, all without slug feeding.



### **The John Deere Difference**

- High strength components stand up to green, high yield crops
- Design contributes to smooth crop flow into separator
- The long feederhouse provides a shallow angle of cut and a thin, uniform crop mat



**Stone trap** – protects the cylinder and concave. Open and empty with just one lever.



**Adjustable feederhouse** – maximises performance in all conditions from short, dry straw to long, wet crop.



**Single-lever multicoupler** – provides the ultimate in header hook-up convenience.



**Excellent visibility** – no need to lean forward on the edge of your seat to see the platform.



**Feederhouse reverser** – lets you remove the toughest clogs so you can get back to harvesting.



**High capacity feederhouse for S-Series** – a proven productivity boost for your John Deere combine.



**Bonus feature for our corn head design.** When it's time to move to the next field, switching from field to transport takes only a matter of seconds. Choose from 6 and 8 row models to match your combine capacity and operation.



**The John Deere Difference**

- Tremendous material handling
- Decreased cob loss
- Improved residue processing
- Better overall harvesting performance



## High speed harvesting with 600C Corn Heads

Higher yields and hybrids with tougher stalks – these advantages become challenges at harvest. To address these challenges, John Deere brings you the 600C corn heads.

The 600C-Series is made for reliability. All gearcase components were designed for strength, so you have the power to cut through tough stalks. Our fluted and knife rolls have an opposing blade design for aggressive cutting and crimping.

And to make sure every kernel makes it inside the combine, the gathering chains, auger and trough are all designed to give tremendous performance. You'll see fewer tossed ears, less ear shelling and less free grain in the trough.

The result: A better corn head. Your dealer can provide you more details about the 600C-Series corn heads.



**Optional CommandTouch Multi-Speed Feederhouse Drive System** delivers higher capacity feeding in the heaviest yielding corn. A reliable PowerShift transmission provides up to 42% more torque capacity and enables operation of the corn head in five speed ranges. Adjust the speed of your corn head easily from the cab by pressing one button on the multi function lever. And with the larger feederhouse lift cylinders you are able to handle 12 row corn heads easily.



*The geometry of these stalk rolls improves material handling. Stalks are pulled more smoothly through the rolls for less stripping. But because our stalk rolls are faster and have additional blades, they also provide more complete residue breakdown.*



*The design of the auger and trough allow smoother, more complete feeding, for a robust harvesting performance.*

## Straw and grain quality doesn't get any better than this.

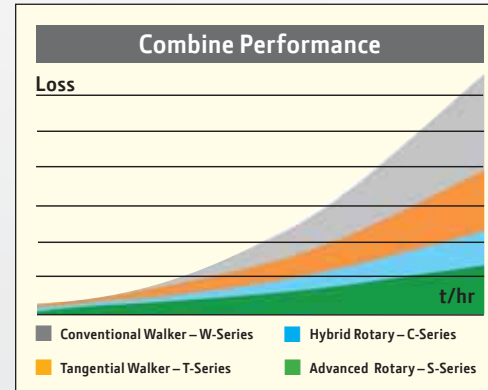
Whether you're focused on the condition of your grain or wanting to bale your straw, you can depend on excellent quality from your John Deere combine.

Our T-Series combine, for example, delivers high output whilst maintaining excellent straw quality at the ideal length and uniformity you demand. John Deere combines are renowned for their grain quality and with a full range of machines we can meet all your harvesting needs.

### Advanced threshing and separation technology.

John Deere has always been at the forefront of innovative harvesting design to meet your business requirements. You can depend on the latest technology that carefully balances threshing, separation, and cleaning systems to ensure ease of use and reliable, high-performance operation.

Our latest threshing and separation technology is the most advanced ever, keeping a clear focus on grain quality, straw quality and fuel consumption. John Deere is the only manufacturer that offers the full range of threshing technologies that delivers the right combine for your business. See chart for the performance characteristics of our four different threshing technologies.



Above you can see a chart of loss against throughput. With all combines as throughput increase, so to, does loss. At any given point of throughput or loss we can compare each combine technology. In this chart we represent how the different threshing and separation systems work and compare as output increases. For example, the harder you push a walker machine the greater the losses, but if you choose a tangential walker machine (T-Series) you are able to increase your output at the same losses. The C-Series output continues to increase for the same loss as you advance to our highest capacity combine S-Series where we have the most stable performance curve delivering high output throughout a long working day.





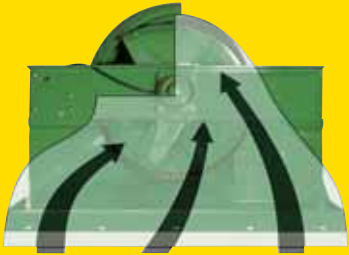
### Why a compact cleaning shoe is better.

*To balance the highest threshing and separation capacity offered by the S-Series, John Deere uses a unique cleaning shoe design to offer our customers the greatest cleaning density and highest performance level. It's proof you can get the biggest results from a small package.*

*Here's the inside story. As you're operating your combine, the chaff load on the shoe is always in motion, especially with changing speeds and slopes. So how do you maintain a uniform flow above the sieves to make sure all the grain is separated while keeping the grain tank free from chaff and dirt?*

*Imagine the chaff and clean grain load above the sieves as the surface of a balloon. As the sieve area gets bigger, the balloon expands. That means the chaff and grain mat above the sieve gets thinner – just as the balloon's rubber surface gets thinner. The chances of seeing a hole in the mat of material airborne above the sieve – like a puncture in the surface of the balloon – is increased. The result: poor cleaning shoe performance or a flat balloon.*

*For this reason, John Deere has adopted advanced technology to deliver high shoe performance versus large dimensions. Our cleaning shoes feature auger bed preparation, multiple steps, and pre-cleaner separation – all features that ensure the right delivery of material and airflow for the cleaning shoe. In addition, John Deere cleaning shoe operates at higher speeds and longer shoe strokes. That makes our machines less sensitive to adjustment and slopes than other combines.*



### S-Series tri-stream crop flow delivers more uniform crop flow.

*The John Deere tri-stream feeding system overcomes the problems often seen in conventional rotary designs. Notice the front of the module is composed of three feed sections. In front of the rotor the feed accelerator prepares the crop flow as the module spins, material is delivered by the feed accelerator and the tri-stream feeding process around the whole circumference of the rotor. Rather than cork screwing material through the separator module – a prime cause of poor separator performance – our design guides crop into the module in three streams. This provides smoother, more uniform material flow, especially in high-moisture, high-yielding crops and green conditions.*

## The perfect balance of capacity and quality

With John Deere S-Series single-tine separation, you don't have to sacrifice quality for capacity; the high performance rotor of the single-tine separation system gives you both. How? The High Performance Rotor features a tapered front section to reduce rotor load and engine power requirements and to improve the efficiency of the entire threshing and separating system. Because the amount of force required to drive crop through the system is reduced.

Finally, single tine separation gives you an ideal balance of capacity, grain and straw quality. For producers who need a combine with impressive productivity, look no further than the S690i. Because of its innovative single-tine separation system, this combine delivers both high grain quality and tremendous overall performance. The separation design is rugged enough to give you hours and hours of dependable reliable operation, but is simple enough to be maintained quickly & easily.



### The John Deere Difference

- John Deere single-rotor design gives increased capacity and smooth material flow
- Tine separation pull-and-release action reduces horsepower requirements, and handles all crops, all conditions
- John Deere stepped rotor cage design gives crop room to expand – ideal for heavy, green, tough threshing conditions

## Go from one crop to another simply by changing the concave.

That's the versatility of the S-Series combines. It's the best choice whether you're harvesting wheat, barley, soybeans, maize, rice and many others. Simply choose one of these three concaves to match your needs:

1. A small / small / large concave configuration is standard on the S-Series combines. This configuration has been chosen for optimum performance in European small grain crops.
2. Round bar concaves for use in maize.
3. Optional full large wire configurations can be used for optimal performance in large grain crops for example Beans. It is relatively easy to change the concave, taking less time than you may think. Once you've changed the concave, simply pull the lever of the dual-speed rotor drive gearbox and choose the right speed to match your crop.

## High Performance Rotor technology reduces the force required to move material through the combine by up to 20%.

### Stage 1

Crop flows from the feed accelerator via the tri-stream feeding section into the threshing section of the S-Series module. The "rifling" grooves on the threshing elements allow the bullet-shaped rotor to move large volumes of crop material through the rotor more efficiently the same way rifling in the barrel of a gun allows a bullet to move more efficiently. Rifled elements grip the crop material, providing a pulling action to help even the crop flow, allowing the rotor to deliver better threshing performance.

### Stage 2

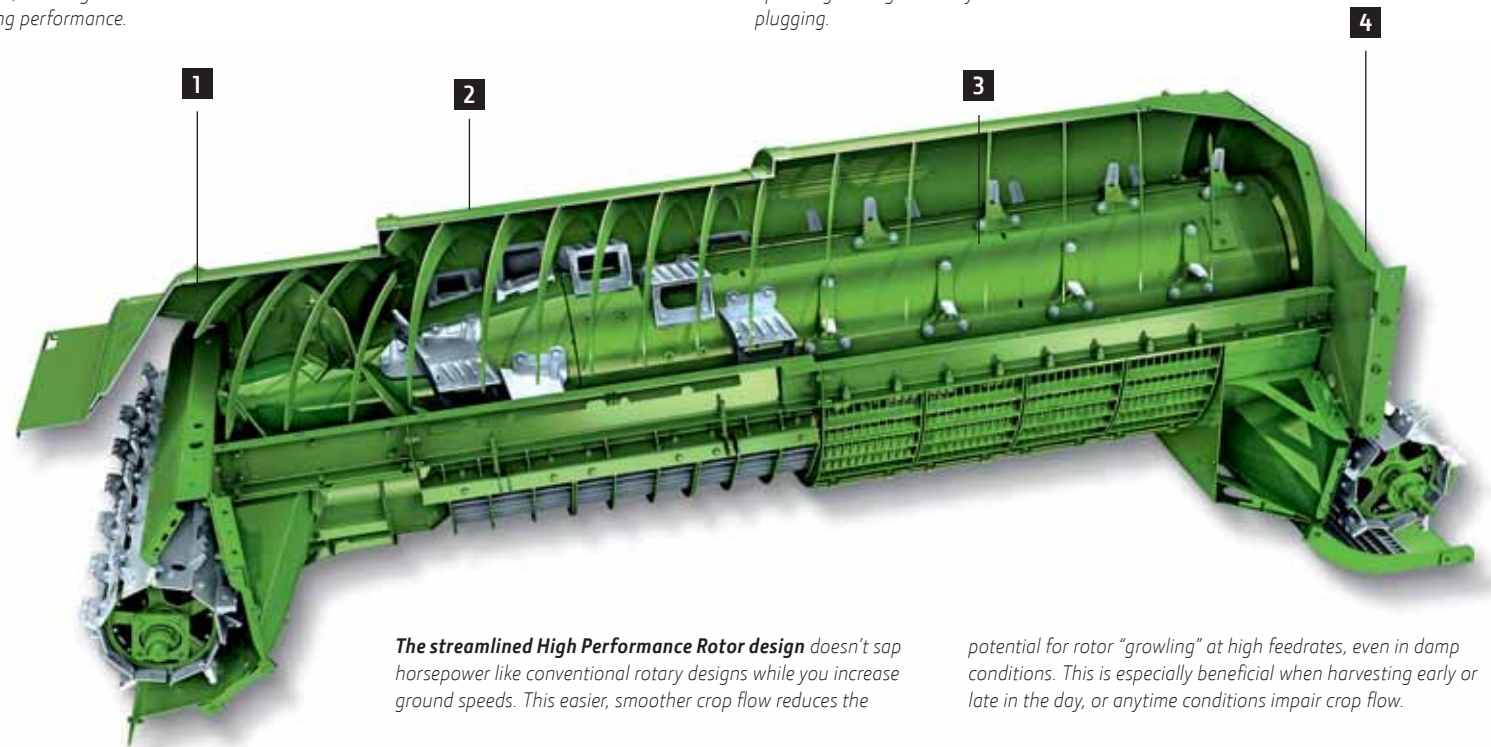
The crop is propelled rearward from the threshing section to the separating section by heavy-duty vanes on the top cover shown here. Unlike conventional rotaries, John Deere rotaries have always featured the elliptical design giving rise to the pull and release principal that is so effective in high moisture crop conditions.

### Stage 3

Six rows of separator tines are angled to comb and penetrate the crop mat. You'll put more grain in the tank, especially in green conditions and crops with heavy material loads. Tine technology is used in all John Deere combines helping to ensure you're gentle on the straw. Our proven fingerbar separator grates are made of cast, nodular iron and feature removable sections giving you easy access to the tines whilst our open-finger design virtually eliminates plugging.

### Stage 4

Crop material is swept away from the rear of the module by the discharge housing and discharge beater. A longer discharge grate below the beater makes sure even the last remaining grains get into the grain tank. Vanes on the discharge housing spread material for a more uniform flow to the chopper.



**The streamlined High Performance Rotor design** doesn't sap horsepower like conventional rotary designs while you increase ground speeds. This easier, smoother crop flow reduces the

potential for rotor "growling" at high feedrates, even in damp conditions. This is especially beneficial when harvesting early or late in the day, or anytime conditions impair crop flow.

## High-capacity cleaning with easy in-cab adjustment

Threshing and separating capacity is of no use without the cleaning capacity to match. So to give you exceptionally clean grain samples, no matter what the yields or crop conditions, the John Deere S-Series combines feature our Dyna-Flo II cleaning system.

The Dyna-Flo II system was developed specifically to match the capacity of the S-Series combine and features an extended chaffer design included within the newly introduced high performance package. Dyna-Flo II cleaning offers you high-volume cleaning action, with in-cab electronic adjustment of sieve settings. Choose from the general purpose chaffer or specialty chaffers for corn and grass seed.

### Dyna-Flo II cleaning system

The Dyna-Flo II cleaning system was designed specially for the S690 combine. Choose an adjustable general purpose chaffer and sieve (standard) for most crops and conditions or an adjustable deep tooth chaffer and sieve for corn harvest. When it comes to shoe stroke speed, this system has the fastest of any shoe on the market.



### **The John Deere Difference**

- For the S-Series combines, John Deere Dyna-Flo II cleaning system delivers high-volume cleaning action for extra clean, high-quality samples
- Electronic shoe adjustments lets you quickly match cleaning performance to crops and conditions on-the-go from the cab
- The S-Series shoe has the fastest speed and stroke of any shoe on the market



## Dyna-Flo II. The ultimate in high-volume cleaning

### Stage 1

Four conveyor augers are located beneath the concave, where the volume of separated material is highest to evenly move material into the cleaning system. Note the deep auger troughs; they provide uniform distribution of material to the cleaning system with less bunching, even on side slopes even when ascending or descending hills the augers move material evenly and at a set pace on to the cleaning shoe.

### Stage 2

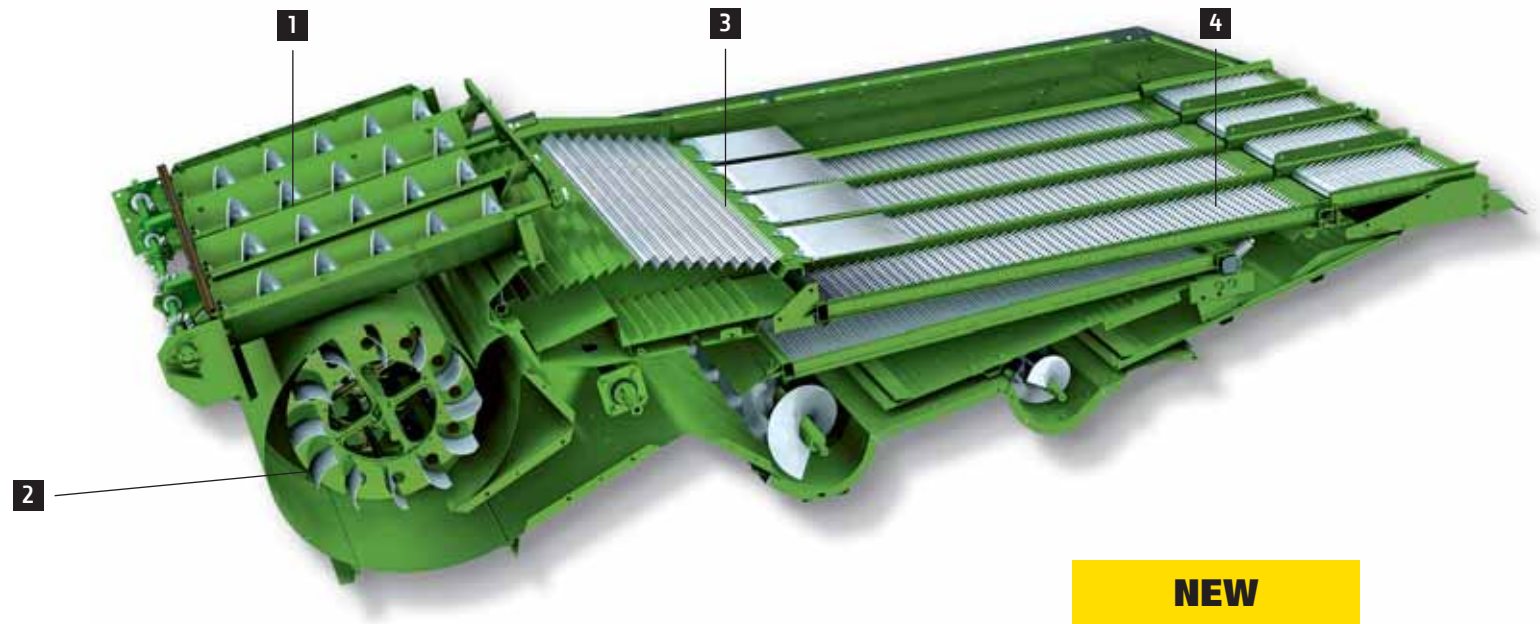
The new Dyna-Flo II cleaning fan blows a high volume of air across the full width of the cleaning shoe with an improved air distribution between the front and rear part of the cleaning shoe. About 30% of high-velocity air flows to the front chaffer; 70% of high-volume air is guided to the rear chaffer and sieve. A steep pressure curve delivers high pressure with less volume loss. The result? Maximum efficiency and a clean grain tank sample.

### Stage 3

Material from the separator is pre-cleaned in two stages. The front fixed chaffer is the first step before reaching the main sieve, helping to thin the crop mat. The raised front chaffer pre-cleans up to 40% of free grain before it reaches the rear chaffer. Air from the cleaning fan elevates any light material travelling over the end of the raised front chaffer. This results in more aggressive separation of material at the step pan and increased cleaning performance.

### Stage 4

The two-piece front and rear chaffer and the single-piece sieve are designed specifically for the S-Series combine. This robust design allows our cleaning shoe to operate at a longer stroke and higher speed than other combines. The result: a high-performance, compact design that reduces slope sensitivity while delivering perfect results – proving again how our intelligent design makes the difference for you.



### Side Hill Kit helps prevent grain loss on slopes.

If you're concerned about grain sliding to the downhill side of the combine and overloading one side of the cleaning shoe, don't worry. Our Side Hill Kit helps hold grain to each part of the shoe. That allows more grain to fall through to the sieve and help eliminate any grain loss from driving on hillsides.

## Tine system feeds and separates in style

Harvest more hectares per day in conditions that paralyze other combines with C-Series Separation. The John Deere “pull and release” action allows superb material handling in wet conditions and provides better straw quality.

Here’s how our innovative system works: The crop mat enters the system through a large cylinder and concave, which provides a high level of threshing and separation. Two heavy-duty, counter-rotating tine separators vigorously comb the crop mat, providing a secondary threshing action that effectively frees the grain and results in higher grain quality. The eccentric position of the separators releases material at the top of the housing and intensifies separation at the bottom through large finger grates. At the rear, the positive discharge beater provides high performance, even in severe harvest conditions.

Superior separation, tremendous capacity, exceptional grain quality: all from the C-Series combines from John Deere.



*There are many advantages to the separation system on the C-Series combines, but one that’s not always recognized is that the C-Series design allows this combine to have a narrow transport width. This combine transports easily, yet works well in a variety of conditions, making it ideal for customers who need high output in a small package.*

### **The John Deere Difference**

- Extra-large 660 mm diameter threshing cylinder delivers outstanding all-crop, all-condition capacity, yet a gentle threshing action for superior grain quality
- Long-wrap concave provides quick separation, further enhancing grain quality
- C-Series technology expands productive harvesting hours in tough conditions; lets you cut earlier in the day and later in the evening

### **Compact design for easy and safe road transport.**

*You’ll not only harvest more per day in severe conditions with a C-Series combine, you can take it on the road when you’re done. Thanks to the innovative John Deere hybrid design, the C-Series combine is slim enough to drive on public roads. So if you’re transporting your combine on the road frequently, the C-Series is an ideal choice.*



*Reaching new heights in rice harvests: The C-Series system was originally designed for rice harvest and shows this by setting the benchmark in its overall performance in rice harvest.*



## Advanced C-Series Separation lets you harvest more per day, even in punishing conditions

### Stage 1: Threshing

Crop mat enters through a large cylinder and a 750 mm long concave. With 13 bars, the concave provides aggressive threshing in tough, hard-to-thresh crops with minimal grain and straw damage. The “open web” design allows more grain to fall through the openings, an open transition to the beater prevents wrapping and slugging. The result: smooth feeding in green and difficult conditions including non-cereal crops.

### Stage 2: Overshot beater

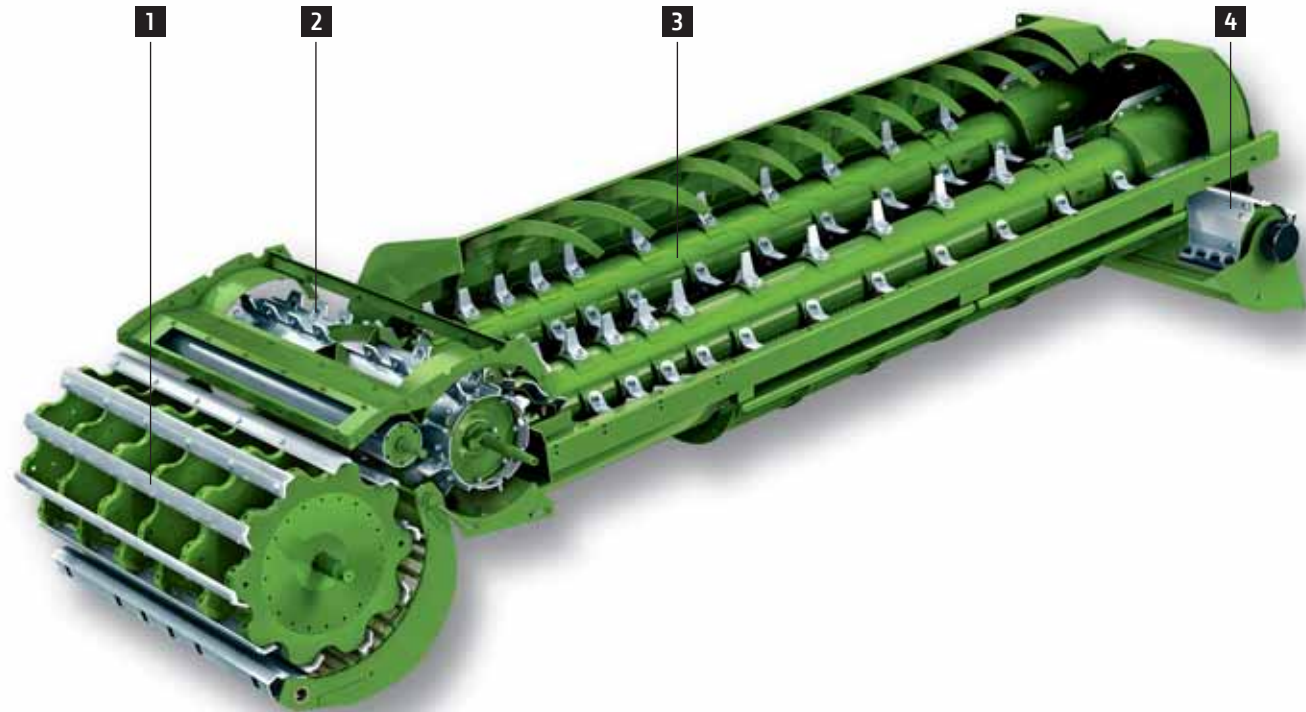
By using an overshot beater the C-Series combine is able to maintain straw quality with high output. The unique overshot beater design allows crop to progress smoothly from the concave and cylinder into the twin tine separator. There are no sharp changes in crop direction thus straw quality is maintained.

### Stage 3: Separation

As the crop mat spirals rearward, it's vigorously combed by two counter-rotating tine separators. These provide a pinch-and release action that frees grain trapped in the straw and dramatically reduces grain loss. It also minimizes power consumption. The side-by-side separator design provides a wide opening that accepts a large volume of incoming crop. Because the tine separators assist in threshing, you can lower the cylinder speed, widen the concave clearance and boost your grain quality and performance.

### Stage 4: Discharge

Crop material flows smoothly and evenly into the positive discharge beater. Whether you're chopping or spreading, no matter how demanding the harvesting conditions, you can depend on outstanding performance with virtually no plugging. High-performance, compact design that reduces slope sensitivity while delivering perfect results – proving again how our intelligent design makes a difference for you.



## When capacity counts, get the biggest walker combine on earth

Despite continuing innovations in rotary technology, walker-type combines are still the harvesters of choice for many grain producers, especially those who must balance straw quality with raw throughput. Inside the T-Series combine is the largest active harvesting separation area of any walker system on the market.

3.36 m<sup>2</sup> of powered separation area T-Series 6-walker combine and 2.80 m<sup>2</sup> on a T-Series 5-walker combine allows a T-Series 5-walker to perform at the level of some conventional 6-walker combines.

The 6-walker T-Series combine performs in an up to now unknown capacity level for walker combines.

The T-Series combines works by gently yet thoroughly separating the grain from the straw. This is accomplished by having a smooth path for the crop to follow through the tangentially mounted separator and a large wrap concave. Because there are no abrupt changes in direction for the crop, we reduce the chance of grain or straw being pinched or otherwise damaged. Walker separation releases trapped grain while treating valuable straw gently for longer, easily baled straw.

Get high performance with no compromise in grain quality or straw quality – all with the T-Series combines.



### **The John Deere Difference**

- With the largest active separation area on a walker combine, the T-Series combine is ideal for growers seeking large capacity
- T-Series separation gently separates the grain from the straw to deliver unmatched straw and grain quality from a multi cylinder combine
- Models are available from 290 to 400 horsepower



### You've never seen straw this good.

Can straw be as valuable as the grain? With the T-Series combines, the answer is yes. With their unique tangential tine technology, these combines deliver straw quality that's second to none.

T-Series combines are also a popular choice among producers who place importance upon residue management. With the premium residue management package you can chop and spread, straw and chaff, windrow straw while spreading chaff to the sides, or windrow straw and chaff. You can easily adjust the spread pattern from the cab, even "swing" the pattern from side to side to compensate for strong crosswinds.

## T-Series tangential tine technology: smooth, direct crop flow for superior straw and grain quality

### Stage 1: Threshing cylinder

Crop enters through a large cylinder and a large wrap angle concave. By providing thorough threshing, the concave begins a smooth crop path with no abrupt changes in direction, thereby reducing the chance of grain or straw being pinched or otherwise damaged.

### Stage 2: Overshot beater

This is the key difference between the John Deere system and the competition. The material is passed from the cylinder into the overshot beater, and as the name suggests, moves over the top of the beater. This is where straw quality is maintained. With no sharp direction changes the material has a gentle transition from the cylinder to the tangential tine separator. With the crop falling from a greater height, the large area of the tangential tine separator can be fully utilised – thus giving the larger separation area.

### Stage 3: Tine separator

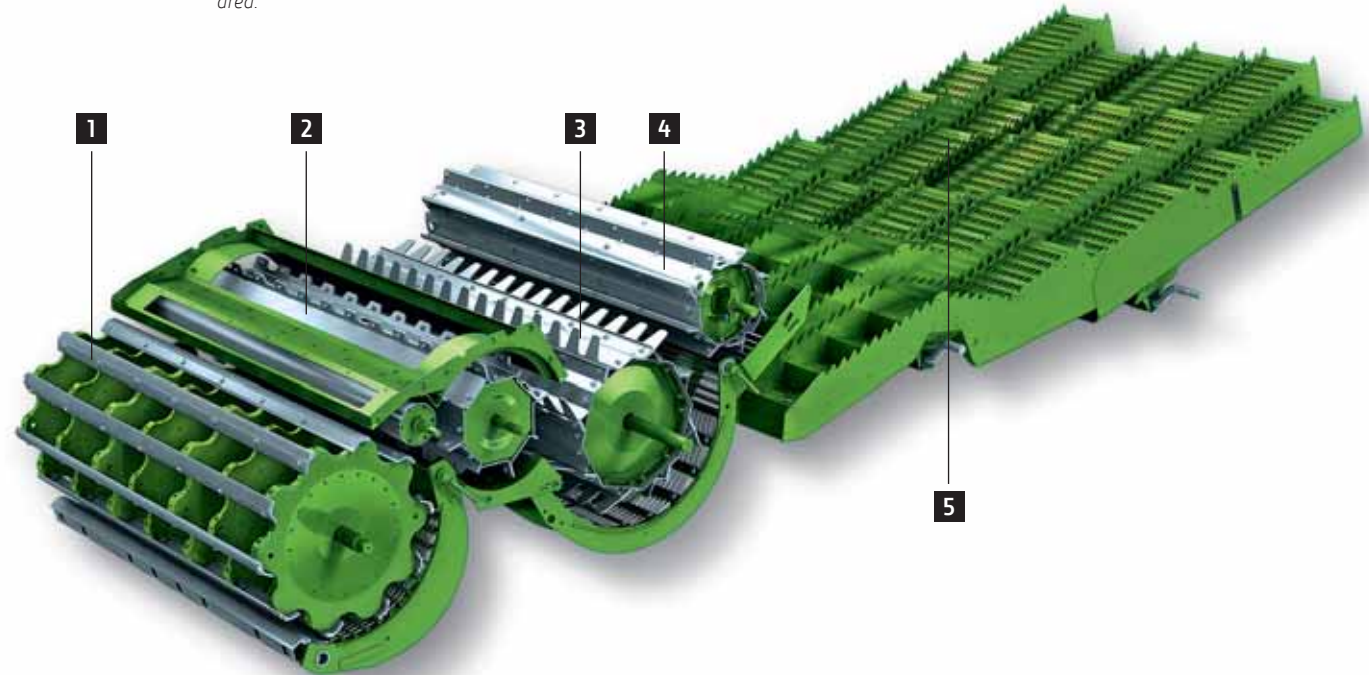
The finger grate design known from our C- & S-Series combines is leveraged here too, releasing grain that can easily get caught in a dense crop mat, resulting in costly losses. The tine separator constantly combs this mat, allowing this trapped grain to fall through to the cleaning shoe. At the same time, this tine separator uses tine technology that treats the straw gently for longer, easily baled straw.

### Stage 4: Rear beater

The rear beater smoothly transfers the crop mat out of the tine separator and passes the crop on the walkers for the final step of the separation process.

### Stage 5: Walkers

Ideal for growers harvesting a variety of difficult crops and facing difficult conditions. The walkers continue the separation process while gently handling straw to achieve top quality as well as fuel efficiency. The open grid design allows active grain capturing.



## Get all-crop, all-condition performance

A design that works almost like magic. No matter how tough, thick, or tangled the crop is when it enters the feederhouse, the separation systems on the W-Series combines are made to handle it.

Start with walker separation. Proven in years of use and in a wide variety of crops, walker separation gives you a tremendous balance of performance, grain quality, and straw quality. The Power Separator drum at the rear of the walkers (optional on some models) combs, thins, and accelerates the crop mat. This allows trapped grain to fall through to the cleaning shoe. Steps behind the Power Separator provide additional separation. The result: Hard-to-beat performance in the widest possible range of crops and conditions.



*Because of the versatility and effectiveness of a walker separation system, the W-Series combines appeal to a wide range of producers. The W-Series has both the capacity and performance needed by custom harvesters as well as owner-operators.*



### **The John Deere Difference**

- Excellent all-purpose separation for a broad range of crops and conditions
- Easily handles heavy volume and high-moisture crops
- Low specific power requirement provides lower fuel consumption

**Stage 1**

The large inertia drum and long concave separation area can easily be set to perform in a wide range of crops and conditions. A speed differential between the crop and drum speed results in thorough initial separation. The large active separation area of 1.80 m<sup>2</sup> on 6 walker & 1.50 m<sup>2</sup> on 5 walker W-Series is equivalent to that offered on some competitive machines with active preparation systems.

**Stage 2**

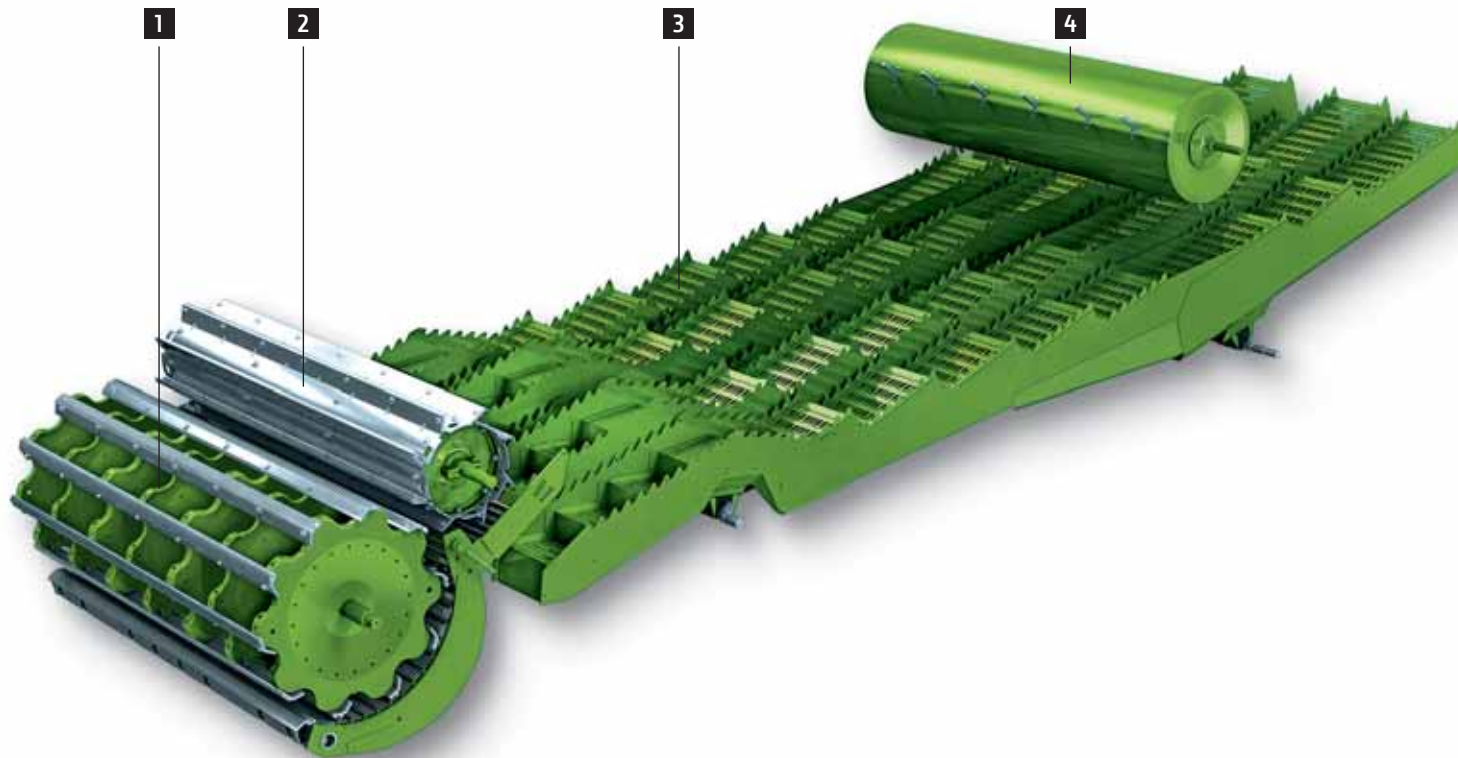
A large-diameter beater provides excellent material handling and additional separation as the second concave extends the separation area (optional in some markets). The concave is also adjustable.

**Stage 3**

Long walkers provide excellent separation in difficult crops, gentle handling for higher straw quality, and lower power consumption. It's a tremendous solution for growers with varying crops and conditions. A grid design allows active grain capturing.

**Stage 4**

The John Deere Power Separator (optional in some markets) employs "pull and release" technology. As straw is pulled over the walker grids, the tines comb the crop mat, opening channels for trapped grain to fall to the cleaning shoe. The Power Separator tines comb through the straw mat, accelerating the crop, and thinning out the straw layer. Ideal for heavy and dense crops.



## Advanced cleaning system blows the dust away

Available on the W-Series, T-Series and C-Series combines, the Quadra-Flo cleaning system is so efficient, you can set the shoe in the morning and forget about it.

The Quadra-Flo system provides a clean grain tank sample in all conditions with minimal adjustments.

The reliable design teams heavy-duty augers with a dedicated pre-cleaner, chaffer, sieve, and four independent dual flow fan rotors to handle the heaviest volumes of material. Ideal for high-yielding crops, the John Deere cleaning system ensures top-quality grain. And when it's time to change the settings, adjustments are quick and easy.

**SlopeMaster** – Fingers at the left and right-hand rear of the cleaning shoe can be removed capturing free grain in very hilly conditions. These intelligent holes are simple but effective technology that shows the practical approach John Deere has, helping you save even in the most challenging harvest conditions.



### **The John Deere Difference**

- John Deere Quadra-Flo cleaning system delivers high-volume cleaning action for extra-clean, high-quality samples
- Easy, fast adjustments let you quickly match cleaning performance to crops and conditions
- Electrically adjustable pre-cleaner for even more efficient cleaning capacity

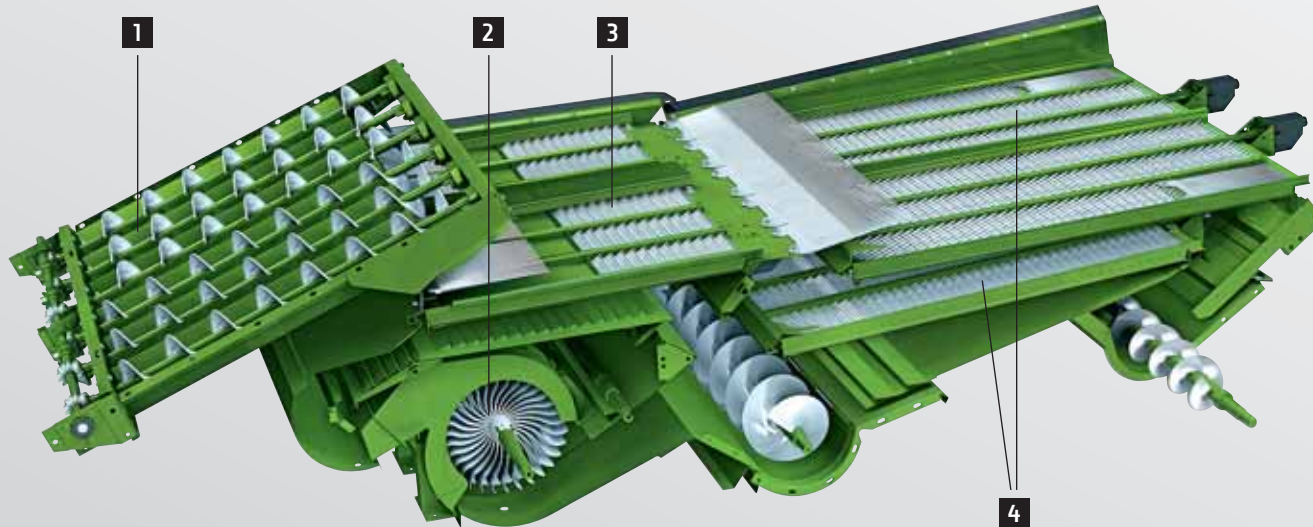
## Quadra-Flo: The ultimate cleaning system

**1. Heavy-duty conveyor augers** handle large volumes of grain with ease, ensuring an even sieve load for efficient cleaning. Note the deep auger troughs; they provide uniform distribution of material to the cleaning system with less bunching, even on side slopes even when ascending or descending hills the augers move material evenly and at a set pace on to the cleaning shoe.

**2. Four Dual-Flo cleaning fans** blast a strong, constant stream of chaff-eliminating air in two directions. Using four separate fans helps create a high-pressure differential that blasts trash away while allowing grain to fall to the shoe.

**3. Dedicated pre-cleaner.** Cleaning gets a head start as high-velocity air moves through the pre-cleaner to lift chaff and debris aloft, away from the lower part of the grain layer. In fact, 25 percent of the chaff is blown out by the pre-cleaner. Around 1/3 of the grain is pre-separated, falling directly onto the clean grain auger, reducing the volume of grain and chaff that passes to the chaffer and sieve.

**4. Chaffer/sieve.** By the time grain and residue reach the chaffer and sieve, a large part of the straw and debris has already been removed. The separated grain is easily sorted through the chaffer and sieve. Optional electric adjustment of the cleaning shoe makes optimisation simple.



**The W-, T- and C-Series cleaning shoe** features adjustable louvers. All sieves are electrically controlled and adjusted by an individual actuator, which is directly connected to ensure higher accuracy. Since no linkages are used, sieves can be removed very easily. This system features an automatic cleanout, which opens the louvers before closing to allow cleaning when making auto adjustments. Two integrated shoe lights are available to make inspection easier, day or night.



**Grain sampling solution** puts John Deere's excellent grain quality close at hand.

## Smooth material flow, unmatched straw quality

Never let tough, thick or tangled crop slow you down again. The CWS-Series 2 feederhouse can take it all in, and John Deere's feeding, threshing, cleaning and separating systems can handle it. They're designed to accomplish this task effortlessly with minimal adjustments required, allowing you to achieve the highest grain and straw quality possible.

The high-capacity feederhouse delivers consistent material flow, even in tough conditions. The big capacity threshing system features a massive 610 mm cylinder diameter to help harvest more grain. The straw walkers and cleaning system deliver excellent separation and high efficiency cleaning. The CWS-Series 2 combines, with their proven reputation and economical price, are a great choice for producers just entering the market or those carefully monitoring their cashflow.



### **The John Deere Difference**

- Proven John Deere cylinder walker separation provides superior all-crop capacity and outstanding grain quality
- Aggressive walker design delivers thorough separation for grain savings, plus perfect straw quality for baling



## Walker separation: peak productivity in a wide range of crops and conditions

### Stage 1

Crop material enters here, where a 600 mm long concave wrap provides quick and clean separation. It handles all crops so you don't need to change to other concaves. Plus, you can remove the front of the grain pan quickly and easily, saving you time and money.

### Stage 2

The John Deere Posi-Torq drive senses changes in torque and automatically tensions the drive belt. This delivers smooth material flow and consistent cylinder speed in varying conditions plus reduced wear and longer belt life.

### Stage 3

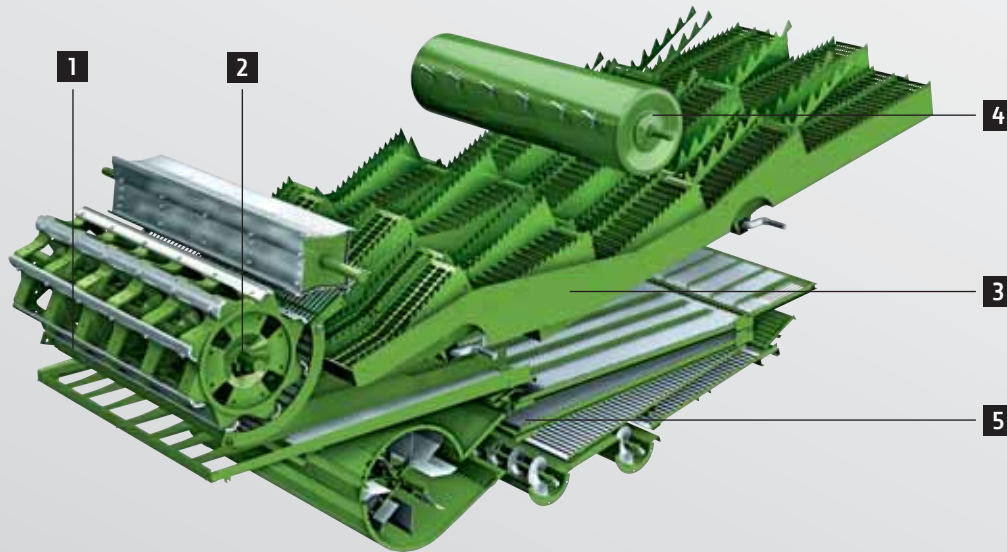
The straw walker design delivers excellent separation. Both 1450 and 1550 CWS-Series 2 combines feature a long throw and 150 rpm speed for exceptional straw fluffing and grain separation. This process is supported by the adjustable straw walker fishbacks for even higher efficiency. Bolt-on walker grids let you adjust quickly to specialty crops.

### Stage 4

The optional Power Separator drum at the rear of the walkers combs, thins, and accelerates the crop mat toward the rear of the walkers. This allows trapped grain to fall through to the cleaning shoe. Three steeper steps behind the Power Separator provide additional separation.

### Stage 5

The large cleaning features a reciprocating chaffer and sieve for effective self-cleaning action. The powerful single housing eccentric cleaning fan carries eight blades to produce more air volume and higher cleaning capacity, blowing a constant stream of air that lifts and eliminates stems, chaff and debris.



### Twice as big, twice as smooth, twice as good in heavy crops.

You're looking at the high-inertia threshing cylinder within the CWS-Series 2. You'll get tremendous threshing performance, thanks to its massive weight – 340 kg on the 1550 and 300 kg on the 1450. It delivers a flywheel effect that means better recovery from temporary overloads and a smoother-running machine. It performs more comfortably at maximum output with less fuel, meaning you get higher straw and grain quality.

## Grain handling capacity handles high yields and tough schedules

With the John Deere S-Series combine, you won't be limited by clean grain handling capacity. That's because the S-Series has some of the largest figures in the industry for unload rate, grain tank capacity and clean grain elevator capacity. That means matched components that will deliver sustainable high performance of the grain handling system ensuring higher field efficiency even in high-yielding crops.

Best of all, the unload rate (120 litres per second) is one of the largest on the market to give you peak productivity. Combine that with an 11,000 litre grain tank and 1155 litre fuel tank capacity and you can keep working in your field longer with fewer stops. You can even fold the unloading auger before leaving the field to prevent unexpected and expensive downtime.

***Unload your grain tank in just 92 seconds.*** That's all it takes to empty the 11,000 litre grain tank and keep you working with shorter turnaround times supporting your grain cart logistical challenges.



### **The John Deere Difference**

- Enormous 11,000 litre grain tank cuts unloading cycles, extends productive harvesting time
- Massive 120 l/sec unload rate empties the grain tank in one and a half minutes
- Unloading auger folds for easy transport



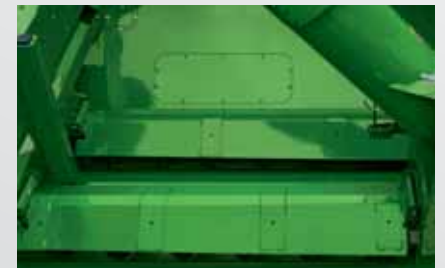
**Optional auger-mounted camera** and in-cab monitor allow you to view unloading and even in high sided trailers; a rear mounted camera gives you a view of material distribution from the straw chopper and the area ahead of the platform trailer hitch.



**Foldable unloading auger** makes road transport easier and reduces the storage space requirements for your combine during winter. Simply press one button on the armrest and the unloading auger will fold and unfold electrically.



**We increased grain handling capacity** by increasing clean grain auger speed and elevator drive speed by 8%. The result is faster grain movement away from the cleaning system, giving you higher cleaning capacity and improved overall cleaning system performance.



**Cross auger cover design** speeds up and simplifies crop changeover. Just pull the pin to raise or lower. No tools needed.

## Improve your harvest efficiency with grain tanks up to 11,000 litres big

Don't let high-yielding crops slow you down in the field. With the W-Series, T-Series and C-Series combines, you'll get a large-capacity grain tank and a high-performance grain handling system to make quick work of your grain handling. Harvest efficiency has never looked so good.

All grain tanks are matched to the high capacity of each combine. All have electrically operated covers that open wide for maximum capacity. You'll get perfect grain filling, too, thanks to a tall, fountain-style loading auger articulated with a U-joint.

The instant you engage the unloading auger, the electronic engine management system automatically provides extra horsepower for high-speed unloading on-the-go. That ensures your harvesting capacity is never compromised.

The unloading drive is electro-hydraulically actuated to ensure smooth start-up and eliminate belt slippage. A one-touch switch allows smooth, precise auger swing at any position.



### **The John Deere Difference**

- Enormous grain handling capacity helps improve harvest efficiency
- Intuitive unloading auger control at your fingertips ensures perfect grain filling
- When unloading grain, you'll get a horsepower boost on the go



*The biggest walker combine requires the largest grain tank capacity. With a T670i you will be the envy of all your neighbours with the efficiency increase you will achieve due to the huge capacity offered by the 11,000 litre grain tank on your John Deere walker combine taking your harvest productivity to new levels.*



**A hinged, high-capacity loading auger** is linked to the grain tank covers. It reduces overall height of the combine for easier transport and storage.

## Uniform spread today earns money tomorrow

### Extra-fine chopping, extra-uniform spreading

If you're looking to chop and spread your residue, our premium residue management systems are the answer. Featuring extra-fine cut chopping systems, they chop and evenly distribute a fine layer of residue behind the combine – even across the widest bouts. That makes this machine perfect for no-till and minimum-till fields.

With our premium residue management you'll see up to 120 low-profile serrated knives with a matching number of stationary knives. Together, they aggressively cut and uniformly spread your straw and chaff across the platform's entire width. Available in two speeds for maize or small grain to tailor the combine to your harvesting conditions.



**Spreading chaff with chopped straw has never been easier.** The CommandCenter armrest display gives you fingertip control from the comfort of your cab. The lower left button shown here has electrical resume memory of your vane adjustment. The memory function simply mirrors your current vane adjustment so in windy conditions one press on the headlands ensures your not blowing material onto the standing crop making your life easier.



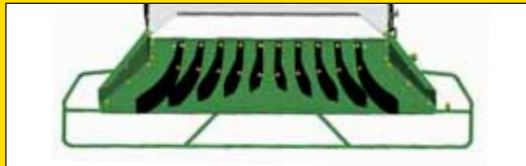
### The John Deere Difference

- Get wide, uniform coverage of finely chopped residue our premium solutions
- Ideal for no-till and minimum-till programs
- Perfect distribution of chaff and straw to full cutting platform



## Two spreading choices with the Premium residue management.

*With the premium residue management you can spread chaff as well as straw with one crop stream from through the chopper. Chaff is blown into the chopped straw and evenly distributed. No more clumps in the field – just a smooth, even layer of residue. One benefit is that if wind or slope is affecting the spreader, you can distribute chaff to either side with the straw chopper.*



*To keep an even spread patterns in cross winds and in hilly conditions, there are electrically adjustable vanes on the chopper. This allows the operator to direct the spread to the left or right of the machine.*



*On our combines the orientation of the chaff spreader is inline with the crop flow. This allows you to spread the chaff and chopped straw with a powerful air stream. This system is perfectly matched with John Deere Combines and provides even distribution of chopped straw with the widest heads or in side wind conditions.*



*If you don't want to spread the chaff with the chopper simple change the chaff spreader discharge position. Now you can spread chaff to the sides as with a conventional chaff spreader.*

## Excellent straw no matter how you use it

Whether you bale your straw for bedding or use it as feed, it doesn't get any better than this. You'll get the ideal straw length, the best uniformity and more weight per bale. With our new T-Series combine, you'll see straw quality never seen before at this productivity level. This new line compliments our W-Series and C-Series combines, well known for delivering excellent straw quality.

For farmers who feed straw to their livestock, you can depend on the highest straw volumes by leaving the chaff with the straw and for farmers who bale their straw for bedding, you can depend on tight bales which is clean from chaff.

For biomass producers, you can add the chaff to the straw and produce the heaviest densest bales, ideal for power stations.

Choose standard or premium residue management – it's up to you. Whatever your application or whatever your future requirements, John Deere residue management systems give you the features you need to tailor the combine to your require farming results.



### **The John Deere Difference**

- Tailor the residue management to deliver the results you desire
- Higher straw quality and volumes to support your higher business returns
- The Premium residue management ensures easy adjustment & control of the windrowed straw





**The choice is yours with our Premium residue management system.**

*With one lever, you can switch from blowing chaff to the sides or into perfectly formed windrows.*



**Chaff in for feed use.** Chaff is blown into the straw and together with the straw is left in a smooth, uniform windrow. This is ideal for farmers who want to remove all the residue from the field. Perfect for making bales for power stations.



**Chaff out for bedding.** The system also gives you the choice of spreading chaff to the sides of the combine while simultaneously windrowing the straw. Perfect for farmers who bale straw and use for bedding purposes.

## Deliver grain, straw and chaff with pinpoint precision

Pour on the productivity with a John Deere 1450 or 1550 CWS-Series 2 combine. A big grain tank capacity (6,000 litres or optional 6,800 litres) helps keep you on schedule. Gentle grain handling within the whole combine ensures a clean and high quality sample. And whether you unload on-the-go or at the end of your field, you'll appreciate the fast unloading rate.

Bale your straw for bedding or use it as feed? The result is excellent. And if you want to chop, the straw chopper provides sizing and even spread of residue over the full header width. The smooth or fully serrated knives deliver fine chopped straw to fulfil all your requirements.



### **The John Deere Difference**

- John Deere 1450/1550 CWS-Series 2 combines offer a full range of residue handling options to closely match your cropping practices from conventional-till to no-till
- New straw chopper drive lets you move more easily from chopping to windrowing and back again



**Optional chaff spreader** is the ideal choice for operators who want to bale straw for livestock but don't want to collect the chaff. Also good for high-volume straw and no-till and mini-mum-till conditions. The easy-to-swing-out chaff spreader gives excellent access to the cleaning shoe.



**Straw chopper drive.** The innovative straw chopper drive on the CWS-Series 2 combines has been redesigned to allow easier change-over from chopping to windrowing. A hydraulic cylinder tensions the belts when you engage the separator, but releases when you disengage to extend the life of the drive and to ensure the system only runs in the field.



**Chop to drop.** A single lever on the right side of the combine changes from chop to drop.



**The rugged chopper** delivers fine chopped straw and spreads a uniform layer of residue over the full header width.



**Unloading auger pivots a full 110°** to provide a better view and more flexibility when you unload, especially on-the-go into trailers or trucks. Unload with the auger in any of its full range of positions.

## With power like this, you can handle any harvesting job.

Hectare for hectare, feature for feature, year after year, nothing handles your harvesting job better than a John Deere PowerTech Plus engine. As the driving force behind every John Deere combine, it offers eight levels of horsepower to fit your harvest conditions and needs.

All our engines are connected to high torque ground drives with several excellent features in common. They're reliable. They're proven. They're fuel-efficient. They provide the constant power you need over a wide range of rpms. They deliver a horsepower boost for unloading and other power-hungry applications. And they generate significantly more torque as the engine speed is pulled down under load. You'll get these qualities, too, in our CWS-Series 2 combines powered by the John Deere PowerTech engine.

For the most demanding jobs, choose our flagship model S690i – the most powerful John Deere combine with 530 hp for efficient combustion, excellent fuel economy and long engine life. Its six-cylinder, 13.5 litre engine provides seven percent more power while maintaining the same fuel efficiency and serviceability of the previous 12.5 litre engine. It also generates a power boost of up to 33 hp during unloading.

### **Up to 112% engine power while unloading on the go**

*When you're unloading, you need constant engine power to maintain the fast unloading rate. To keep the separation and cleaning processes at the highest performance range, our combines deliver up to a 25 kW power boost for constant machine performance when unloading on the go. That ensures constant separator speed at varying grain tank loads and during operation in hilly fields.*

### **The John Deere Difference**

- John Deere 13.5 l PowerTech Plus engine on the S690i delivers 395 kW (530 hp ECE-R120) – the highest of any John Deere combine.
- Boosts capacity, delivers more responsive performance to varying crop and field conditions
- Additional horsepower when unloading lets you maintain full harvesting capacity



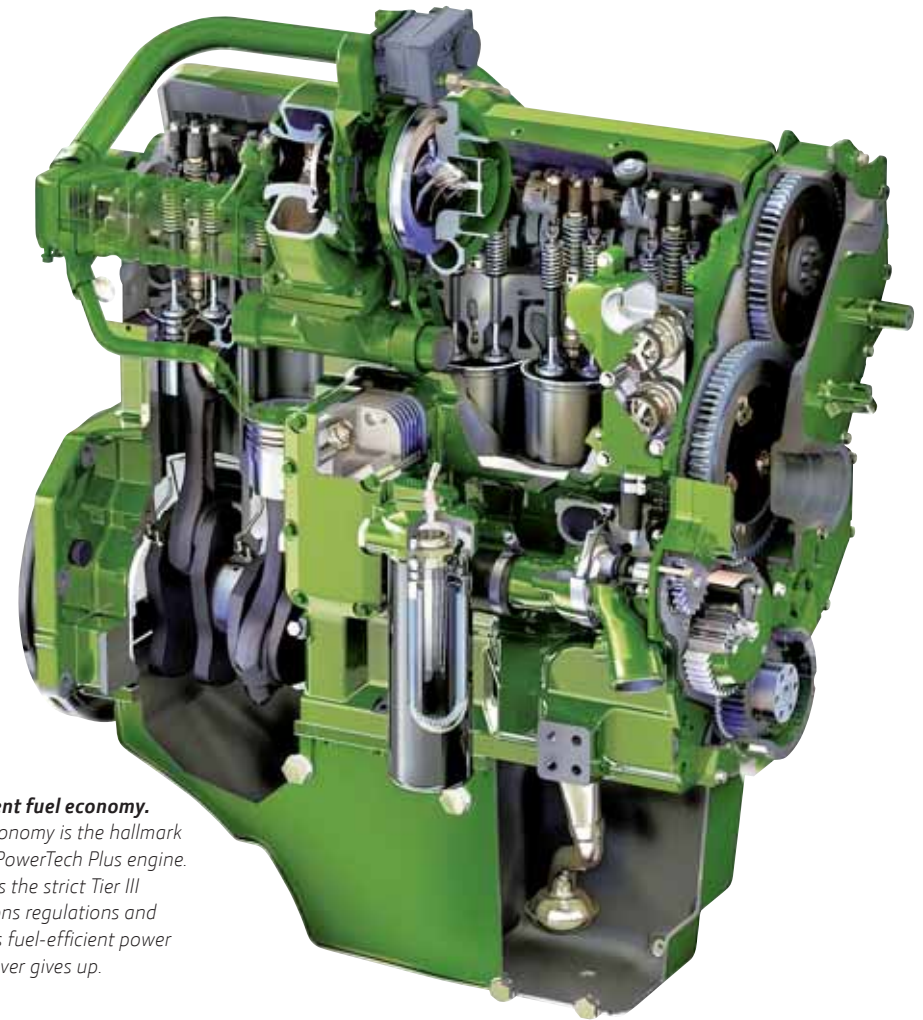


Combine model	Power rating (max. kW / hp)*	Engine size (l)
<b>S-Series</b>		
S690i	394 / 530	13.5
<b>C-Series</b>		
C670 and C670i	299 / 400	9
<b>T-Series</b>		
T670 and T670i	299 / 400	9
T660 and T660i	260 / 350	9
T560 and T560i	260 / 350	9
T550 and T550i	217 / 290	6.8
<b>W-Series</b>		
W660 and W660i	260 / 350	9
W650 and W650i	240 / 320	9
W550 and W550i	217 / 290	6.8
W540 and W540i	190 / 255	6.8
<b>CWS-Series 2</b>		
1550 CWS-Series 2	196 / 262	6.8
1450 CWS-Series 2	152 / 204	6.8

\* All ratings according to ECE R120 standard



**Improved easy-to-service cooling system.** A large radiator improves engine cooling capacity and folds out for fast, easy service or cleaning. A charge air cooler increases air density and boosts power.



**Excellent fuel economy.** Fuel economy is the hallmark of the PowerTech Plus engine. It meets the strict Tier III emissions regulations and delivers fuel-efficient power that never gives up.

## PowerTech Plus: The ultimate in emissions compliance, performance and fuel economy

When it comes to getting the most performance with the least fuel consumption and emissions, nothing beats the John Deere PowerTech Plus engine. Available in several sizes ranging from 6.8 L up to 13.5 L, our PowerTech Plus engines include cooled exhaust gas recirculation (EGR) and variable geometry turbocharger (VGT) technologies for the ultimate in Tier 3/Stage II A efficiency and performance.

The higher an engine's peak combustion temperature, the greater the amount of NOx created. Cooled EGR is an effective method of lowering peak combustion temperature. To offset the increase in particulate matter caused by the reduction of NOx, we've taken the following steps:

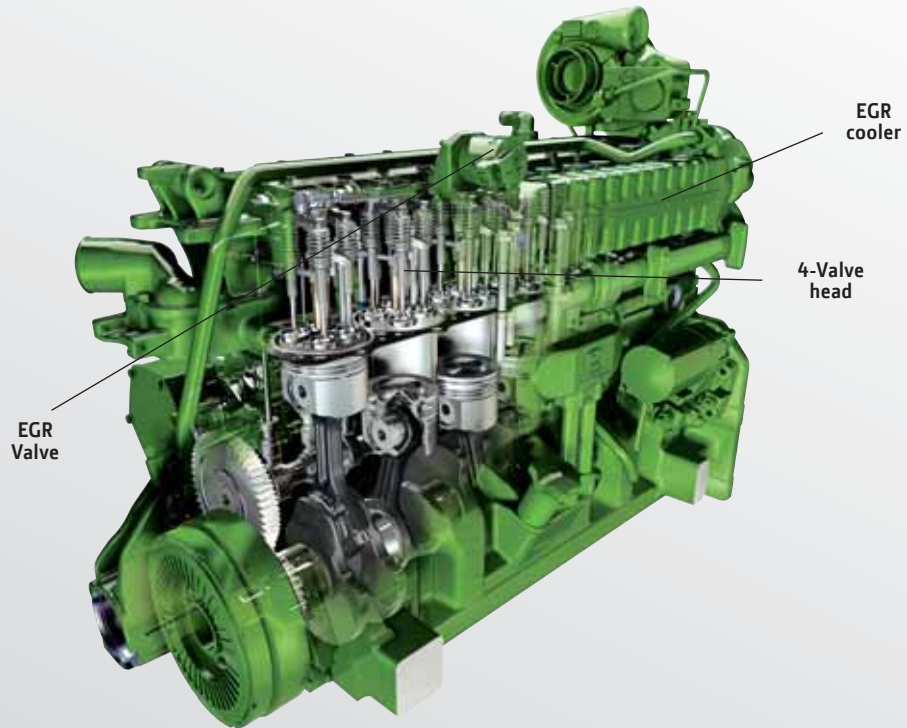
- Increased fuel injection pressure by using high-pressure common rail fuel systems and electronic unit injector technology
- Improved power cylinder components, resulting in reduced oil consumption
- Adopted VGT to control transient smoke
- Improved the shape of the combustion bowl to maximize air/fuel mixing and optimize the combustion process, reducing the amount of emissions.

The PowerTech Plus family of Tier 3/Stage II A engines meet regulations, offers you flexibility and cost-efficiency, and gives you exactly the rugged performance you need, especially in troublesome and hilly conditions.





### PowerTech Plus Technology



**An inside look at PowerTech Plus.** As a leading manufacturer of engines for agriculture, John Deere has perfected the PowerTech Plus with all these features to meet strict emissions standards with better fuel economy and performance as well as the lowest installed costs.



**Variable geometry turbocharger** ensures greater low-speed torque, faster transient response, higher peak torque, and best-in-class fuel economy.

Narrow vane openings increase boost at low speeds and load.

Wider vane openings increase efficiency at high speeds and load.



### Driven to perform at peak levels.

The main engine gearcase distributes engine power to five different operations:

1. Separator gearcase drive
2. Hydrostatic ground drive
3. Main hydraulic/steering pump drive
4. Straw chopper drive
5. Grain tank unloading system drive

The separator gearcase is directly driven through the heavy-duty driveshaft and gearbox. The wet-clutch components provide a reliable and smooth engagement of the separator. The simple design also eliminates the need to de-clutch belts for separator drive and engagement. All you do is flip a switch. The hydrostatic pump, charge pump, main hydraulic pump, and steering pump are also driven directly from the engine gearcase.

The differential driveshaft is heat-treated and induction-hardened for extra strength and durability. The high-capacity tapered roller bearings provide smooth performance and long life. The driveshaft is sized to handle stress and high torque loads. All gear sets and components are well-lubricated throughout the axle.

### The John Deere Difference

- Main PTO gear case simplifies the design resulting in proven reliability
- Simple layout of drives ensures easy maintenance
- Clean design approach to ensure easy access to belts & drives

## Simply more efficient and easy to maintain.

Drivelines don't get any simpler in design than this. In every John Deere combine, you'll find an open, uncluttered and very simple driveline system that delivers two outstanding advantages:

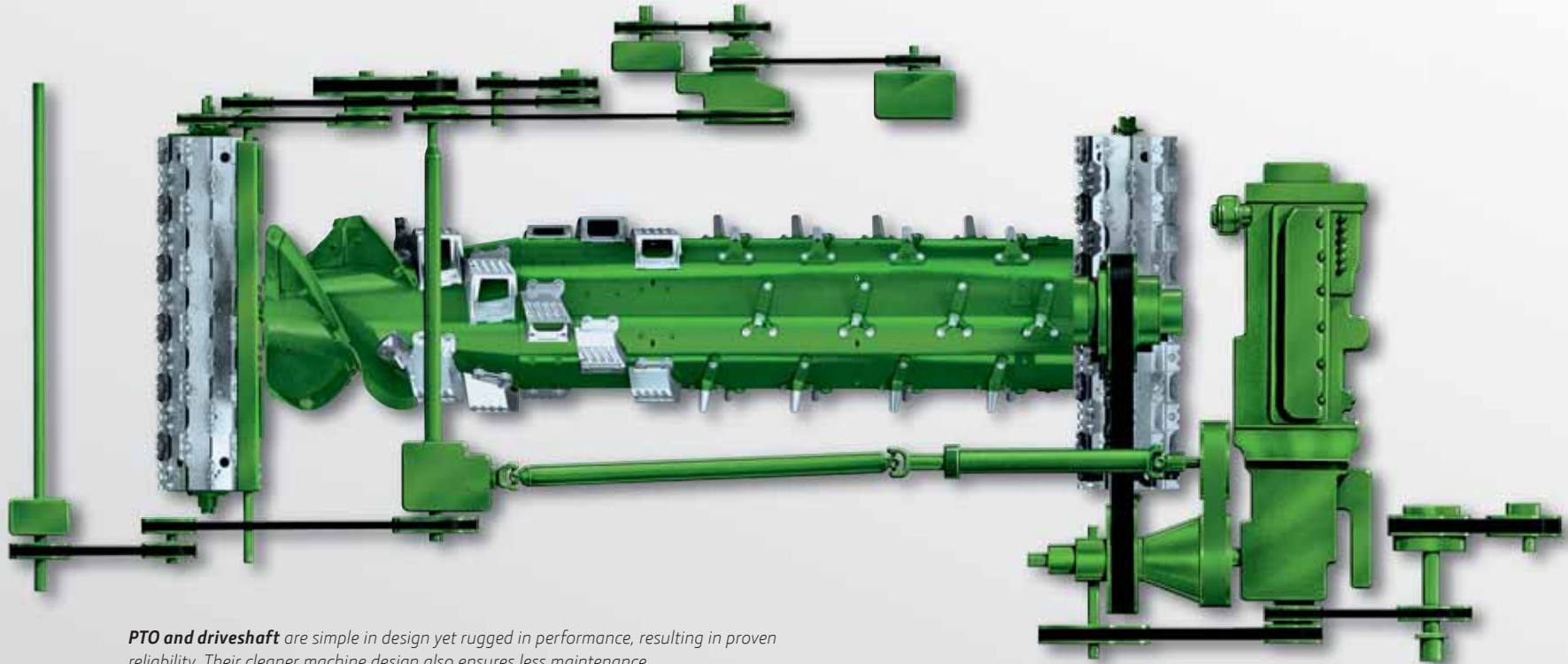
**Peak efficiency.** Our drivelines ensure a strong and reliable transmission of engine power to make the most of your harvest productivity. Thanks to the massive main engine gearcase and rugged driveshaft transmission, power flows smoothly from the transmission to the ground, year after year. All electrical components are also designed and built for extra reliability.

**Simple maintenance.** Simplicity of design also ensures excellent access on both sides of the combine, greatly reducing service time. No belts to adjust or replace. The modular design of the cleaning fan, separator and chopper drives provides easy accessibility and servicing when needed. The connectors are colour-coded to enhance serviceability. Your diagnostic time is reduced, too, thanks to our on-board diagnostics and self-diagnostic capabilities.



**Strongest power reverser on the market** lets you harvest without fear of plugging. With 80 hp on all W-, T- and C-Series and 134 hp on the S-Series, the feederhouse and reel reverser give you full drive power to dislodge the toughest header and feederhouse plugs. All you do is flip a switch from the comfort of your cab to engage a hydraulic cylinder to actuate the gearcase shift lever. It's convenient, it's quick, it's reliable and it helps you minimize downtime in the field.





***PTO and driveshaft** are simple in design yet rugged in performance, resulting in proven reliability. Their cleaner machine design also ensures less maintenance.*

***Flexible hydraulic hoses** are built to withstand your severe harvest conditions.*

***Flat-faced O-ring fittings** help ensure reliable hydraulic performance. All major oil line connectors use special industrial-quality O-ring compression fittings for dependability.*

## Simply more reliable and durable.

Our simple driveline systems deliver more than peak performance and ease of maintenance. You can also depend on longer life through our CANBUS electrical system and enhanced hydraulic systems.

### **New CANBUS electrical system: easier, faster diagnostics.**

Our driveline system has another important feature to ensure overall reliability: the new John Deere CANBUS electrical system. It delivers easier and quicker diagnostic time through improved on-board diagnostics. With more self-diagnostic capabilities, it greatly reduces the time it takes to diagnose any potential electrical problems.

The system includes improved wiring harness routing featuring a simpler harness design and colour-coded connectors to add simplicity of operation.

It also has inductive speed sensors with built-in diagnostics – no setting or adjustment required.

The results: you get both increased reliability of electric components and reduced diagnostic.

### **Hydraulic system: the power you need when you need it.**

All John Deere combines use an open-centre hydraulic system to ensure quick response times when you need it. You'll get ample power for all your combine's hydraulic needs. All functions are electro-hydraulically controlled for easy operation.

The 105 ccm, shaft-driven, triple-section hydraulic pump generates 210 bar pressure for steady, reliable performance. It requires no maintenance to keep you going, year after year. A common reservoir for the hydraulic and hydrostatic system provides more reliable functions and facilitates service.

An electro-hydraulic valve assembly is located on the left-hand side, isolating the operator's cab from noise. The valve's one-piece design reduces the opportunity for hydraulic leaks.

The results: increased reliability and more uptime for the customer for improved productivity.





**New CANBUS electrical system**  
improves overall reliability and delivers easier, quicker diagnostic time.



**Hydraulic system**  
John Deere combines use an open centre hydraulic system with all functions electro hydraulically controlled for finger tip control. The shaft driven, triple section gear pump generates 210 bar pressure and doesn't require maintenance.

## Finally, an automatic-shift transmission for your combine. New ProDrive.

New ProDrive is the latest advance in transmission drive technology. ProDrive delivers peak harvesting efficiency in all ground conditions. You'll love the precise speed control it offers, especially in hilly terrain and tough harvest conditions. There's no need to constantly monitor and adjust the hydrostatic control handle. Or stop to shift gears while harvesting.

**Seamless shifting.** When ground conditions change, ProDrive lets you smoothly shift between two speed ranges with the push of a button to keep harvesting at the speed you want. You won't lose valuable time when shifting on hills or leaving your field.

**Up to 64% more torque** at a harvesting speed of 8 km/h for the power you need in tough conditions.

**Choose your speed.** Just set the first speed range for normal harvesting and the second speed range for faster fieldwork or transport. Select any speed in either range by using the hydrostatic control handle on the CommandTouch console.

**Harvest Smart delivers peak results.** With this John Deere feature, you can control your combine's speed based on the amount of crop material entering the machine (Capacity Mode) or the amount being lost (Smart Mode). Used with ProDrive, it delivers a dramatic efficiency boost. Why? Because when Harvest Smart dictates a speed increase or decrease, ProDrive ensures the speed goal is achieved. (For more information on Harvest Smart, see pages 74 – 75.)



### **The John Deere Difference**

- *On the go shifting increases your productivity*
- *Two programmable speed ranges improving comfort and control*
- *Diff-lock make harvesting safer and easier even in the most challenging conditions*



## Productivity has never been more comfortable.

How much can you accomplish during an average day at harvest? The more comfortable you are and the more control you have, the more you'll get done. We can help you with both.

Our newly designed operator station features a CommandTouch armrest, a CommandCenter armrest display and CommandTouch corner post displays to put you in control of all operations. Plus an open, spacious design, an air suspension seat and all the features you need to make operating your combine as comfortable and convenient as possible.

Controls are logically arranged, easy to comprehend and close at hand. "Soft-touch" switches make it easier to fine-tune combine performance. The three-function joystick is fully automated. When operating with AutoTrac & Harvest Smart, your time and attention is freed up to focus on the important jobs of header & machine optimisation & adjustment.

Visibility is excellent. With tinted safety glass around the cab, you'll get a clear view to the front and sides of your machine. There's also an optional in-cab monitor with an exterior camera to let you see behind the combine – very helpful during unloading.

### **The John Deere Difference**

- Newly designed cab interior is open and spacious with excellent visibility and automatic climate control
- New features such as the CommandTouch armrest put you in charge of all operations to optimize your productivity
- Simple, logical controls make it easier to train new operators and get better results



**New cab mirrors for better visibility.** With a détente-reset position, they quickly return to proper position if a branch should knock them out of place. You can adjust them electrically from your seat. Plus, they're also heated to keep them clear, even in humid conditions.

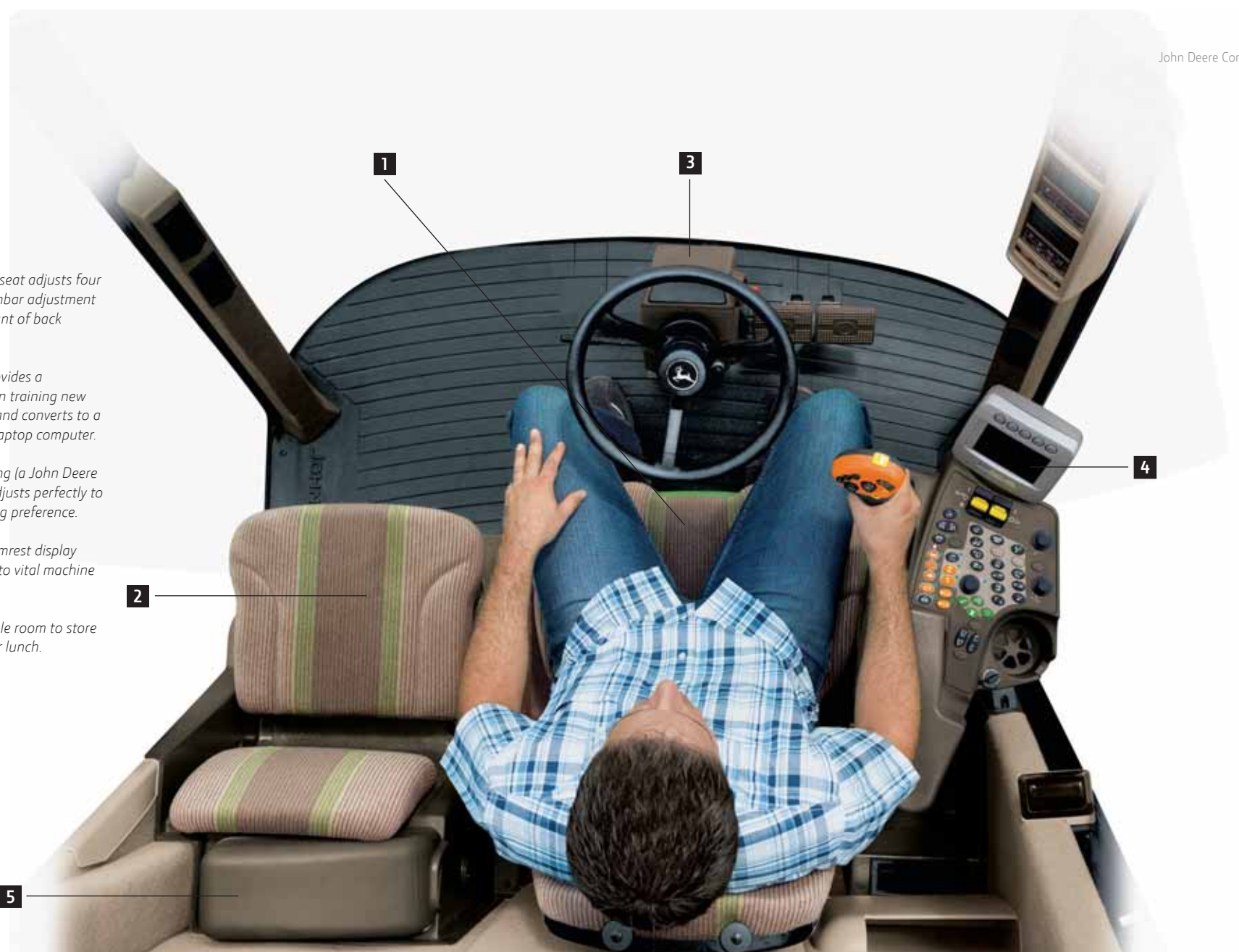


**New electrical system with enhanced on-board diagnostics.** With improved wiring harness routing and colour-coded connectors, it alerts you of any electrical problems to reduce diagnostic and repair downtime.



**In-cab colour monitor and exterior cameras** let you see behind the combine as well as the unloading auger and trailer.

1. The standard air suspension seat adjusts four ways to fit you perfectly. Lumbar adjustment gives you just the right amount of back support.
2. A dedicated training seat provides a comfortable place to sit when training new operators. The seat flips up and converts to a field office with space for a laptop computer.
3. A standard tilt and telescoping (a John Deere exclusive) steering column adjusts perfectly to your height, reach and driving preference.
4. The new CommandCenter armrest display gives you quick, easy access to vital machine readings and functions.
5. Handy coolbox provides ample room to store two 1.5-litre bottles and your lunch.



## New CommandCenter armrest display puts you in charge like never before.

Control and calibration have never been simpler. The new CommandCenter armrest display puts vital machine and crop information within easy reach, making it simple to make quick adjustments to critical controls.

The handy cornerpost monitors show you everything you need to know about your combine's performance in one glance. They're located in your line of sight so you won't need to turn your head from your work. It's easy to make adjustments – either on the monitors or on the console to your right.

**The new CommandCenter armrest display puts control at your fingertips. From one panel, you get quick access to:**

- Combine setup
- Remote shoe adjust and automatic combine adjust (ACA)
- Harvest Monitor
- Harvest Smart automatic feedrate control
- Warning alarms
- Calibration "wizards"
- On-board diagnostics
- Set-point adjust



### **The John Deere Difference**

- Access to vital machine and crop information has never been so easy, thanks to new CommandCenter armrest display
- With the handy CommandTouch corner post displays, you can see everything you need to know about your combine's performance
- We've made it easy to make adjustments – either on the monitors or on the console





**New CommandTouch corner post display gives you quick, easy access to vital information.**

**HeaderTrak display** features a vertical bar readout that provides a visual representation of relative header height – this is also shown as a number in the upper RHS. The header height resume setting is shown as an arrow on the right of the bar chart. The bottom right of the display shows the header resume number you selected on the master control lever (1, 2 or 3).

**VisionTrak display** lets you monitor and control the performance of the cleaning shoe (left vertical bars) and separator (right vertical bars) independently or together (the vertical bars in the center). The horizontal bar shows tailings volume. You get a much clearer idea of show and separator performance to help maximize grain savings.

**The triple display tachometer** lets you monitor three functions simultaneously. In addition to your ground speed (see top line here), you can select engine rpm, cylinder rpm, concave clearance or cleaning fan speed. Any time you touch or adjust any monitored combine function, it's automatically displayed on the bottom line.



**A closer look at the CommandCenter display.**

You'll get quick, fingertip control of these vital functions:

**Home**

- Harvest Monitor information
- Crop machine setting
- Detailed machine settings

**Harvesting Information**

- Yield, moisture (min/max)\*
- Performance, productivity, fuel usage, area distance, weight/moisture
- Field totals
- Crop totals

**Combine setup**

- Setup, current machine settings, TouchSet
- Crop grain loss seed size, farm and field
- Current header width, recording stop height
- Moisture\*
- Harvest Smart setup\*

**Diagnostics and calibration**

- Diagnostic/Cal, active alarms
- Calibrations

\* optional equipment

**TouchSet Automatic Combine Adjustment makes it easy to match combine performance to crop conditions.** You'll get automatic one-touch control over critical combine settings such as concave opening, cleaning fan speed, cylinder speed and sieves – ensuring greater accuracy.

## The best-possible combine performance and harvest results – all at your fingertips.

It's never been so easy to get the most from your combine. All the controls you see here are logically arranged, easy to comprehend, and easy to reach. "Soft-touch" buttons make it easy to fine-tune combine performance. Plus, 100% of all the necessary combine readouts are visible 100% of the time so you're always in control.



**CommandTouch armrest** is located next to the CommandCenter armrest display. With improved ergonomics, it's never been easier or quicker to fine-tune your combine settings. Simply press one button then adjust with the dial.





**HeaderTrak** lets you have full, simple, intuitive control over every aspect of the automated header functions. You can customize the auto header setup via the HeaderTrak display and header resume switches on the master control lever. Switching the individual elements of the system on and off will result in the three presets on the multi-function lever changing functions. ▶ ◀ These arrows show the chosen function is active.

### Header resume switches

1. **Button 1** lets you return to preselected header height for long stubble crops. Ideal for harvesting crops such as rape or sunflowers or to raise the platform at the end of the field.
2. **Button 2** lets you maintain a preset stubble height in standing cereals, for example, using ground contact of the mechanical sensors.
3. **Button 3** lets you maintain a preset header ground pressure for perfect contour following in laid crops.



### Performance Pack (Optional on T- & C-Series combines):

There's a reason we call this the Performance Pack. The combination of the new ProDrive transmission, Harvest Smart, and Harvest Monitor adds considerably to your combine's mechanical performance, as well as its data collection and feedback skills.

**ProDrive** – Finally, an automatic shift transmission for your combine! You'll love the simplicity it brings to combine operation, especially in hilly ground and difficult harvest conditions. There's no stopping required to change gears while harvesting.

**Harvest Smart** – In simple terms, this system controls the combine's speed, based on the amount of crop material coming into the machine (Capacity Mode) or the amount of material being lost (Smart Mode). Though used successfully since 2005, pairing Harvest Smart with ProDrive dramatically boosts overall efficiency. Why? Because when Harvest Smart dictates a speed increase or decrease, ProDrive ensures that the speed goal is achieved.

**Harvest Monitor** – This yield monitoring system records all your important harvest data, including yields, moisture, and crop, farm and field totals. It consists of three components: a highly accurate moisture sensor, a yield sensor, and a monitor now integrated into the CommandCenter display. The instantaneous data display helps you make machine adjustments as you go.



# Take command of your harvest in total comfort.

Step inside the cab and you'll believe you're in a much larger, more powerful John Deere machine. That's because everything about this cab is designed to enhance visibility and comfort and provide you with outstanding control.

For instance, take a look at the ultra-comfortable operator's seat, the master control lever, the corner post display monitors, the air conditioning system and the panoramic view.

John Deere's cab is an integral part of our overall design for comfort, convenience and productivity. This improves your ride and lowers the levels of sound and vibration.



A pivoting ladder with four-step position offers easy access to the comfortable cab. Note the rails on either side of the ladder and the wide platform area. Excellent operator safety features are standard.



Clearly arranged corner post displays are easy to read and give you complete information on combine performance while alerting you to potential problems.

Dual-display InfoTrak monitors let you customize this display to show any two functions at once, providing a much clearer picture of performance and alerting you of any potential problems. Select two of the following to simultaneously display: ground speed, engine speed, cylinder speed, cleaning fan speed, time, concave clearance, engine hours, separator hours, service interval reminders and header diagnostic codes.



The handy master control lever fits your hand perfectly to give you remarkably smooth hydrostatic speed control. It also controls feederhouse raise/lower, reel raise/lower, reel fore/aft, return-to-cut mode, emergency stop, and optional active stubble height and float pressure functions.



An integrated coolbox holds up to two 1.5-litre bottles and is a great place to store your lunch.



From the comfort of your cab, you can easily make electrical adjustments, including the concave for optimal threshing and operation to match the crop you're harvesting.

### The John Deere Difference

- Spacious cab, providing outstanding visibility and superior operator comfort
- You'll get better harvesting results, feel relaxed and work more efficiently with outstanding control, accessibility and ease of use



**1. Standard training seat** offers a safe place to teach new operators.

**2. Tilting/telescopic steering column** lets you position the wheel for all-day comfort.

**3. Corner post monitors** are easy to see, but won't interfere with your visibility.

**4. Adjustable right-hand armrest** moves with the seat and features fore/aft adjustments for increased comfort and precise control.

**5. Note the easy-to-identify switches** with fingertip harvesting control – simple, logical and easy to use. Enjoy outstanding visibility to the platform, crop, sides and rear.

## Meet Harvest Doc for the ultimate documentation convenience.

In the perfect world of harvesting, the fields are forever level, the weather is always ideal, the crop density is completely uniform and the moisture levels are right all the time. In the real world, though, there's only one constant: change.

How do you manage change and get the most from your John Deere combine during harvest? It starts with having the right information at the right time.

**The best management decisions start with Harvest Doc.** On your GreenStar 2600 display Harvest Doc automatically gathers your raw yield, moisture and mapping information for every part of every field. At any given moment during your harvest, you'll know precisely your crop yields, crop moisture levels and harvesting productivity.

Working seamlessly with the combine's Harvest Monitor hardware system, Harvest Doc loads all this vital information onto a PC card. Take it to your home computer, download the data, and create comprehensive yield and moisture maps along with productivity reports of each field. Precisely the information you need to better manage your inputs and make informed planning decisions. Plus, harvest the crops that are proven to meet quality assurance requirements.

*The GreenStar 2600 is used to operate Harvest Doc, providing at-a-glance access to harvesting data and on-screen mapping on a large, touch screen, colour-coded display.*





### Harvest Monitor: an excellent way to monitor harvest data.

Harvest Monitor lets you keep track of your crops' condition and performance during harvesting. From the comfort of your cab, you can find out crop moisture content, dry yield and productivity on the CommandCenter. Keep totals of your crop yields and determine any crop variations in your field on the go. With this information, you can move towards minimizing inputs and maximizing your productivity, even on your marginal ground.

#### The three components of Harvest Monitor:



**1. A monitor now integrated into the CommandCenter display** helps you make machine adjustments as you go with user-friendly, one-touch adjustability.



**2. Instant yield sensor** calculates grain mass and converts it to a yield figure with  $\pm 3\%$  accuracy. Calibration is simple – simply weigh a reference trailer load and reconcile it against the measured value on the machine.



**3. Advanced moisture sensor** averages three measurements to give an accuracy of  $\pm 1\%$ . Response time is faster, too – critical when capturing accurate harvest data.

## Let AutoTrac do the steering for you

John Deere customers everywhere are talking about our AutoTrac, the satellite-based, hands-free steering system. Each pass matches the full cutting width of the platform, maximising productivity while making life easier for the driver.

“AutoTrac can drive our combine better than we can,” says one user. “We choose the line from A to B and it always travels straight down the field. The beauty of it is, wherever you start or finish and whether the crop is flat or standing, the combine will always go exactly where you want it to.”

Another says, “Once you’ve set the required cutting width, you can even miss out multiple strips and it will always go back and finish off the field completely clean. This takes a great deal of pressure off the operator, and he can concentrate on maximising output.”

Because it’s satellite-based, AutoTrac is more reliable, versatile and more accurate than laser guidance. And because it’s a hands-free system you steer only at headlands and around obstacles. “Our land is very hilly with a lot of awkward shapes, but we ended up with nice parallel lines across every field,” another satisfied user adds. “It works consistently, better than even a good operator could ever achieve.”







**Stay in control with the GreenStar 2600 display**

A large colour touch screen display, the GreenStar 2600 is easy to read in all light conditions. During harvest, you can simply stay in control of your guidance applications while monitoring yield data at the same time. Best of all, it's portable – simply move it to another vehicle after harvest.

**Precise guidance with the StarFire iTC receiver**

Pair the GreenStar 2600 with our StarFire iTC position receiver that picks up satellite signals from the Global Positioning System (GPS) and the John Deere StarFire correction network to provide the exact position in the field. Choose from three signal levels to match the precision you need for guidance and yield mapping (see below).

John Deere Guidance Signal Accuracy Comparison		
RTK*		
	SF2**	
		SF1**
± 2 cm	± 10 cm	± 30 cm

\* Accuracy depends on distance between base station and vehicle.  
 \*\* Measured at the receiver – 15 minutes, pass-to-pass accuracy 95% of the time.

## Nothing gives you a more consistent feedrate than Harvest Smart

How do you get the best feedrate in hilly terrain, different crop densities and changing field conditions? You can do it manually and hope for the best. Or you can do it automatically with John Deere's Harvest Smart feedrate control system.

Harvest Smart can adjust to changing field conditions faster than just about any operator can. It works by calculating the best speed for any field condition, then automatically adjusts the combine speed on the go. That's critical to maintaining a consistent feedrate into the combine and achieving peak productivity. It's now standard equipment on all i-Series combines from John Deere.

With Harvest Smart, you can automatically control feedrate for either maximum throughput capacity or grain loss parameters. Simply select "Capacity" or "Smart" modes, and Harvest Smart will continually adjust the combine's ground speed until you reach either your capacity limits (in Capacity mode) or loss limits (in Smart mode). Pull back on the hydro lever and Harvest Smart disengages, allowing you to slow down for headland turns.

Since it automatically keeps the machine at your set maximum-capacity load, Harvest Smart reduces fatigue and stress on the operator. Plus, you'll get better grain quality and a cleaner grain sample due to more consistent crop loads.



*Put Harvest Smart together with AutoTrac and our new ProDrive automatic-shift transmission, and the combine operates almost by itself at peak harvesting capacity hour after hour, day after day.*





## How two users made the smart choice with Harvest Smart.

*"I particularly liked the Harvest Smart automatic federate control option. It was always set for maximum output – generally, I don't go too quickly, as we like to get all the crop in the tank, and don't like to see any thrown out. Having said that, in the oilseed rape I found I just couldn't go fast enough. I was cutting at 7 to 8 km/h, twice as quick as I'd been used to. It seemed the faster I went, the better the sample was, with no grain losses. You can make a perfect sample with this combine – a neighbouring farmer who stores our crop said it was the best he had this year."*

*"Harvest Smart worked brilliantly for us. It was amazing how it adjusted to every little contour in the field. It not only increased our output, it further reduced the demands on the operator."*

## Harvest at your level best with HillMaster

Let's face it, hilly terrain is a fact of life when you're harvesting. It's not only stressful for the operator, it can also cause performance losses from grain sliding to one side of the cleaning area.

You'll get level land performance even on slopes up to 22%, thanks to HillMaster slope levelling along with the SlopeMaster system, which maintains level land capacity on slopes up to 7%. HillMaster recognises changes in slope and automatically oscillates the entire combine body up to 15% to compensate with no loss in performance.

You can fill the grain tank completely with fewer unloading stops unlike competition with a shoe levelling system. Plus, you won't have to fight gravity all day since the cab stays level. You can focus on harvesting with less stress and fatigue. You'll also enjoy better traction and stability as combine weight is distributed more uniformly on both front wheels.

HillMaster is available on all W, T, C and S-Series combines. For the highest capacity, choose the John Deere S690i, the largest whole body levelling combine in the world.



### **The John Deere Difference**

- HillMaster automatic levelling oscillates the entire combine body up to 15% for level land performance on slopes
- In combination with SlopeMaster, it can let you harvest on slopes up to 22% with no loss in performance, reduce unloading stops and save grain.



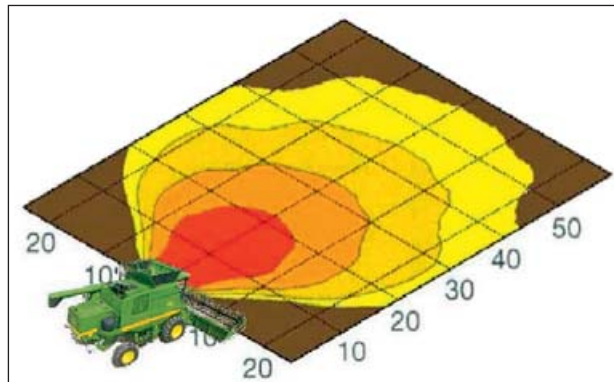
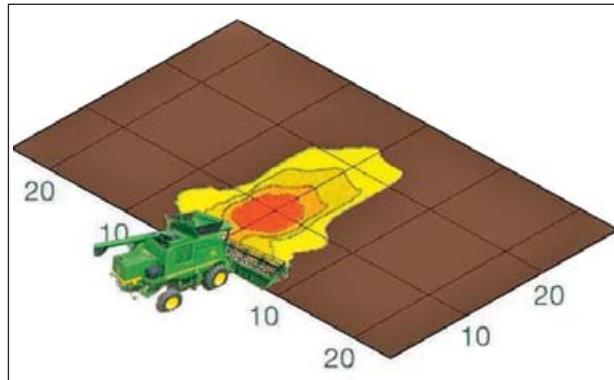
### Perfect with ProDrive.

Combining HillMaster with the new ProDrive automatic-shift transmission can boost your harvest productivity like never before. The reason is simple. When you encounter hilly ground, ProDrive automatically adjusts to give the maximum rim pull and the right gear for the condition provides all the power you need to operate at peak efficiency. Plus with diff-lock and automatic park brake application you'll always feel safe even on the steepest hills.

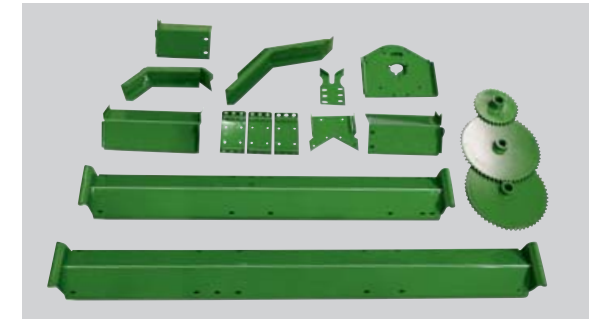
## Performance enhancing attachments

There are many things that you can do to enhance productivity on your John Deere combine and make it fit your specific needs. A selection of attachments which represent either general enhancements to increase performance or operational comfort of your machine like the xenon lights or special attachments for certain crops like the adjustable auger cover bundle for grass seeds and corn, or special combine attachments to achieve 100% performance under the conditions that you face with your machine like the C-Series rotor top covers.

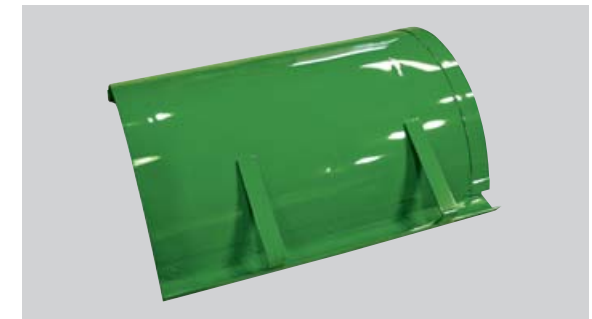
If you have any questions or want more information about this, your dealer will gladly supply you with more detailed information.



**The Xenon working lights** deliver 100 % greater illuminated area for easier and safer night operation. The Xenon working lights omit less heat and last up to five times longer than base equipment halogen lights.  
Part No. **BH 84202 / BH84557**



**Adjustable auger covers bundle.** Adjustable covers allow quick removal for grass seed and adjustments for other crops. New drive parts allow adapting speed of vertical to horizontal auger to prevent shear bolt failure. Recommended for grass seed or maize.  
Part No. **BZ100150/BZ100151**








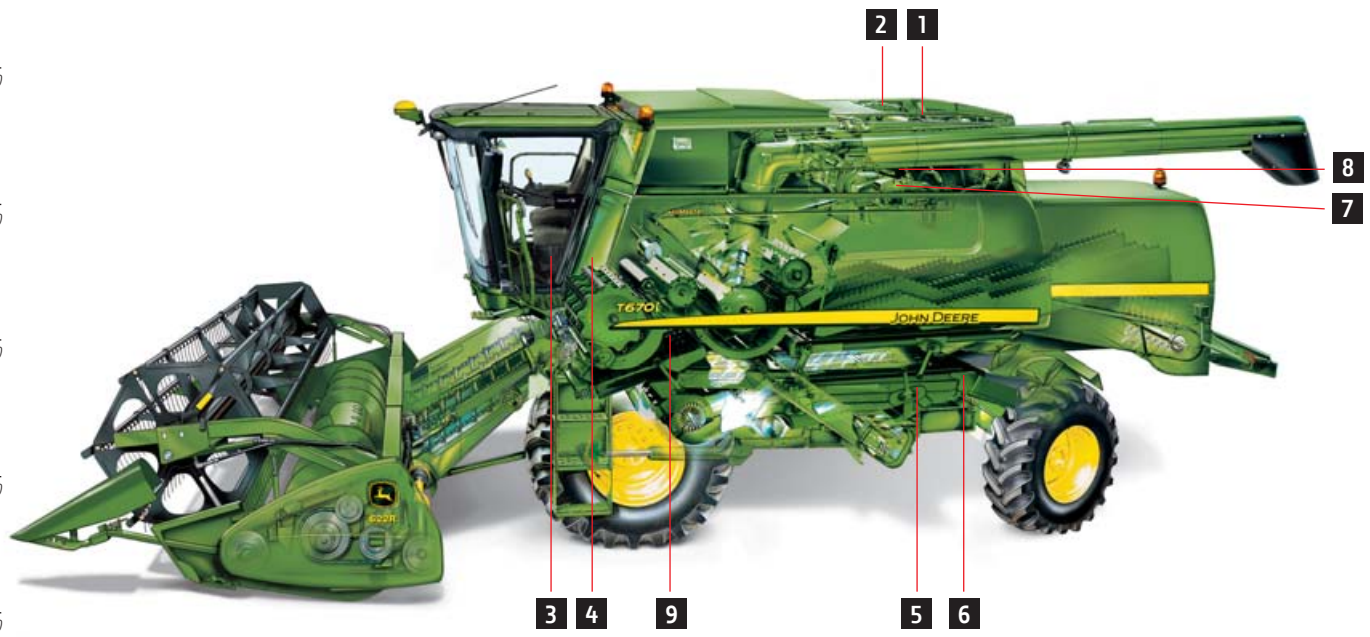
**Top covers for C-Series rotors.** Reduce separator losses by installing a set of 10° top covers (1 x left hand, 1 x right hand cover) in middle position rather than the standard 20° covers. The two 10° top covers allow you to keep the material in the machine for a longer time, resulting in a more efficient separation process. Recommended for maize.


# Genuine John Deere filters


## Filters: your hidden helpers


Filters are vital to the performance and life-span your engine and hydraulics. It is of the greatest importance that you use the off season for a quick filter inspection, so that your next harvest season is just as trouble free as the last. Genuine John Deere Filters provide the best possible protection for you and your machine. Engineered to operate in demanding agricultural environments, our heavy duty fresh air filter protects you from airborne allergens by removing dust, pollen and mould spores down to 1 micron in size. And our hydraulic and engine filters give your operating system the same thorough protection. So be sure to insist on genuine John Deere air and liquid filtration solutions to increase engine protection, extend service intervals and increase your machine uptime.


1.  **Engine: Primary air filter**  
**AH148880** W5X0, W6X0, T5X0, T6X0, C670  
 Change annually and clean daily.
2.  **Engine: Secondary air filter**  
**RE63932** W5X0, W6X0, T5X0, T6X0, C670  
 Change annually.
3.  **Cab: Recirculation air filter**  
**H220870** W5X0, W6X0, T5X0, T6X0, C670  
 Clean or replace every 200 hours and as required.
4.  **Cab: Air filter, standard**  
**AH115833** W5X0, W6X0, T5X0, T6X0, C670  
 Clean or replace after 50 hours and as required.
5.  **Engine: Fuel water separator filter**  
**RE529643** W540, W550, T550  
**AH226195** W650, W660, T560, T660, T670, C670  
 Clean or replace as required.



6.  **Hydraulic/hydrostatic/engine gearcase: Filter element**  
 Standard transmission:  
 w/o ProDrive: please order 2 x **AH128449** & W5X0, W6X0, T5X0, T6X0, C670  
 1 x **AT129775**  
 w/ ProDrive: please order 2 x **AH128449** & W6X0, T560, T6X0, C670  
 1 x **AT129775**  
 Replace every 400 hours.

7.  **Engine: Fuel filter**  
**RE522878** W540, W550, T550  
**RE525523** W650, W660, T560, T660, T670, C670  
 Clean or replace every 500 hours and as required.

8.  **Engine: Oil Filter**  
**RE504836** W540, W550, T550  
**RE509672** W650, W660, T560, T660, T670, C670  
 Replace every 250 hours or once a season, whichever occurs first. Fill crankcase with seasonal viscosity grade oil or Torq-Gard Supreme (250 hours change interval). If using Plus-50 oil and a John Deere filter, the service interval can be extended by 50 percent. Example: 250 hours extend to 375 hours.

9.  **Batteries**  
 W540-W550, W650-W660, T550-T560, T660-T670, C670 174 Ah AL119624

John Deere gifts and merchandise offer something for everyone. At [www.johndeereshop.com](http://www.johndeereshop.com) You can download our catalogue and shop online. Or you can order directly through your local dealer.



**Safety Cap:** Black cotton 6 panel cap. All trims are reflective. John Deere and safety logos. Item No. MCJ099378000



**Overall:** Sportswear style overall with fancy cut outs and topstitching. Press stud fastening, several useful pockets. Soil and stain resistant fabric. Material: 40% polyester, 60% cotton. Available in sizes XS to XXXL Item No. MCM830250082 to 88.



**Workhorse – Safety Boots:** EN 345/S3 safety boots for working professionals. Antistatic properties, slip and oil resistant outer sole, shock absorption in heel. Available in sizes 38 to 46. Item No: MCS630105038 to 46

## Easy service keeps you in the field.

Spend your valuable time harvesting, not adjusting belts and chains. When your crop is ready, your combine must be ready, too. That's why it pays to invest in a reliable new John Deere combine.

When it comes to service, you'll find fewer belts, chains, and hoses. Accessibility is unmatched. Simply unlatch the big side shields and you'll find everything you need for routine maintenance is easily within your grasp. You'll also enjoy easy access to the engine and powertrain. Simply climb the new retractable steps and step onto the wide service platform.

### **The John Deere Difference**

- No daily grease points reduces service time dramatically over the harvest season
- Enjoy wide open access to the separator, cleaning shoe, engine compartment, and all major service points



**Open out service stairs** offer stable, convenient access to the engine and powertrain. Everything you need to check or service the engine is in front of you. Quickly tuck the stairs under the platform when you're finished.



**A single electronic bank** features printed boards for quick and easy diagnostics.



**Power shut-off** switch and battery location, are both accessible from ground level.



**Numerous service lights** give you a better view for easier troubleshooting and service at night or in low light conditions.



**Big side shields** lift easily, giving you wide open access to the main service points. The new side shields are made from advanced composites. They're lighter and stronger than sheet metal shields. They are resistant to dents and impact and have a smooth, gloss finish.



**Tool box design** gives you easy access to plenty of storage space.





**The John Deere parts connection: Available everywhere your business takes you**

*Our extensive dealership network is well prepared. John Deere dealers routinely keep a supply of high-wear in-season parts available in their inventory. And parts aren't the only thing behind their counter. Knowledgeable staff are on hand to lend assistance.*

*Our parts counter is open 24 hours, seven days a week, thanks to JDParts.com. This website lets you check your dealer's parts supply and place an*

*order at any time of the day or night. You can even request that your dealer ships the required part to you.*

*Even if the required part isn't in stock, our dealers have access to a computerised global parts inventory. They can easily order a hard-to-find part and have it within 24 hours, so you can get back to work.*



**Exceptional parts availability:** All John Deere dealers are connected to a central, worldwide parts database. If the part you need is not in stock, your dealer can quickly query other dealers using the JDPOINT online order system and have the part delivered to your operation the very next day.

**Convenient location and hours:** John Deere dealers work your hours. Most are open on weekends so you can get the part or service you need as soon as possible. And during the harvest season, dealers provide extended service hours. It's all part of our long term commitment to help keep your business running strong.

## S-Series Specifications

1. **Quiet, spacious cab with CommandCenter Display** puts combine controls at your fingertips
2. **Feederhouse** is a new heavy duty design providing smooth material handling, excellent visibility & reliable operation
3. **High-tech threshing and separating system** easily handles loads that would choke other rotaries
4. **600 Series cutting platforms** match the capacity of your combine
5. **Dual-Flo II cleaning system** was designed for the S690i for high volume cleaning action
6. **Durable 4WD heavy duty axle** offers tremendous reliability

### Other Specifications

**AutoTrac** the best way to maximise your field efficiency

**HarvestSmart** keeping your combine working to its maximum potential losses or capacity

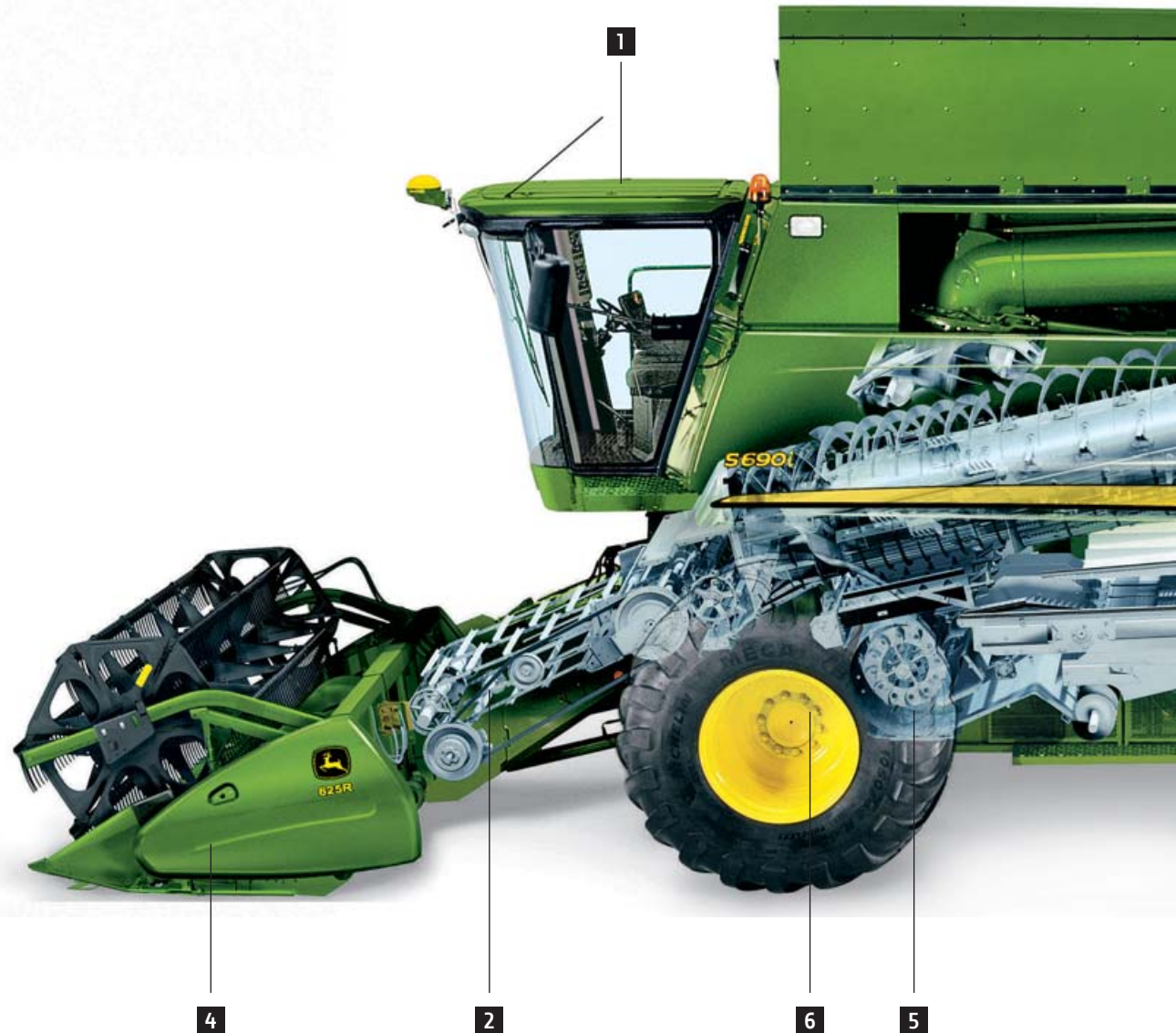
**Highest horsepower: 530 hp** is delivered by a 13.5 L PowerTech Plus engine

**ProDrive transmission** seamlessly shifts between two ranges for precise speed control

**New CANBUS electrical system** delivers easier, quicker diagnostic time

**i Series** is standard on all S690 combines

**HillMaster** the highest capacity whole body levelling combine available on the market



Learn more at [www.JohnDeere.com](http://www.JohnDeere.com)



	S560	S690
<b>FEEDERHOUSE</b>		
Conveyor chains	3 chains	4 chains
Header reverser Power Fixed Speed / Xtra High Torque 5 Speed, kW / hp	135 / 216	135 / 216
<b>FEED ACCELERATOR</b>		
Feed Accelerator drum wings	10	10
Feed Accelerator drum speed, rpm	500 / 1000	500 / 1000
<b>HIGH PERFORMANCE ROTOR</b>		
Feeding and Threshing section diameter, mm	600	672
Threshing Elements	15	15 / 24 opt.
Total rotor length, mm	3124	3124
Separating section diameter, mm	678	838
Separating tines	18	24
Rotor speed range	Dual range	Dual range
Low range, rpm	210 – 550	210 – 550
High range, rpm	380 – 1300	380 – 1000
<b>CYLINDER CONCAVE</b>		
Concave sections	3	3
Number of separating grates	4-rows	4-rows
<b>DISCHARGE BEATER</b>		
Discharge beater drum wings	10	10
Discharge beater width, mm	1024	1365
Total separating area, m <sup>2</sup>	2.54	3.00
<b>TOTAL ACTIVE SEPARATION AREA</b>		
Concave area, m <sup>2</sup>	0.90	1.10
Separating grate area, m <sup>2</sup>	1.30	1.5
Discharge beater grate area, m <sup>2</sup>	0.34	0.40
Total active separation area, m <sup>2</sup>	2.54	3.96
<b>DUAL-FLO CLEANING SYSTEM</b>		
Cleaning fan speed, rpm	500 – 1200	500 – 1350
<b>GRAIN TANK</b>		
Volume, l	9000	11000
Unloading auger swing range, degree	105	107
Unload rate – Average, l/sec	78	120
<b>FINE CUT STRAW CHOPPER (STANDARD)</b>		
Number of knives	36 rotating, 31 stationary	NA
<b>EXTRA FINE CUT STRAW CHOPPER (STANDARD)</b>		
Number of knives	NA	120 rotating, 57 stationary
<b>PREMIUM STRAW CHOPPER (OPTION)</b>		
Number of knives	NA	88 rotating, 57 stationary
<b>ENGINE</b>		
John Deere PowerTech Plus, 6- cylinder, turbocharged, air-to-air after-cooled, diesel		
Engine type	6090HH008	6135HH001
Rated speed	2200	2200
Displacement, l	9	13.5
Maximum harvesting power (ECE R120) @ rated speed – 100 rpm, kW / hp	260 / 350	394 / 530
Power boost when unloading, kW / hp	24 / 33	25 / 33
Fuel tank capacity, l	757	1155
<b>GROUND DRIVE</b>		
Transmission type	3 Speed Manual Shift	3 Speed Manual Shift
ProDrive	NA	option (std. on HM)
<b>WEIGHTS</b>		
Level/Land combines, kg	14460	15760
HillMaster combines, kg	NA	16260

\* Specification and design subject to change without notice

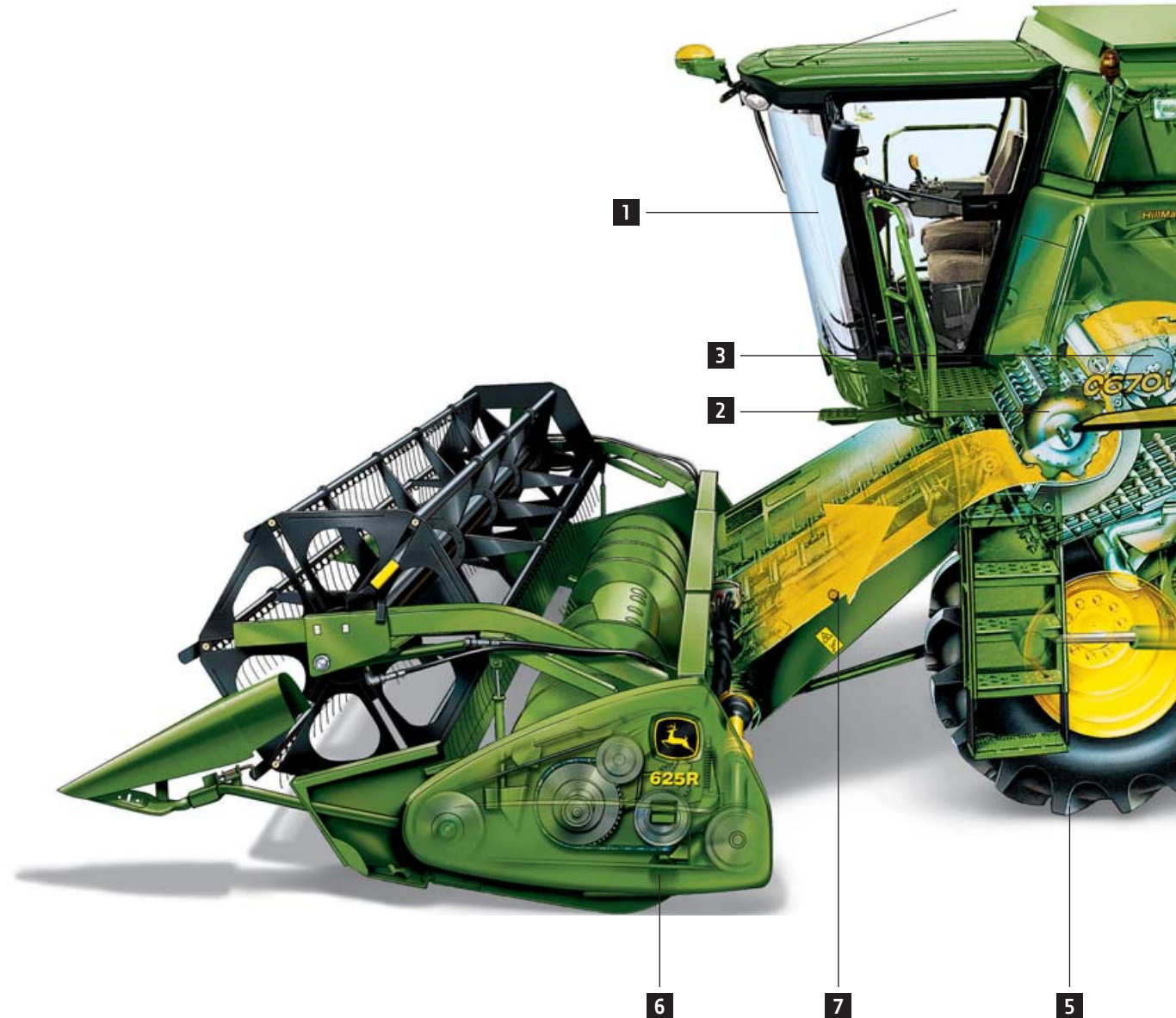
\*\* Data varies depending on specification, weight with trailer hitch & chopper

## C-Series Specifications

1. **Quiet, spacious cab with CommandCenter Display** delivers comfort and control
2. **Large threshing cylinder with tine separation** works in all crops and provides superior grain quality
3. **Overshot beater design** reduces power consumption and improves straw quality for a more efficient harvest
4. **Positive discharge rear beater** helps eliminate plugging
5. **Narrow transport width of 3.5 m on 800 tyres** provides tremendous flexibility in road transport
6. **600 Series cutting platforms** match the capacity of your combine
7. **Long feederhouse with shallow angle** positions platform for excellent visibility
8. **QuadroFlo cleaning system** offers superior cleaning capacity
9. **Efficient straw chopper** gives fine cutting with a wide, uniform spread pattern
10. **10,000 L grain tank** has big capacity to keep you in the field

### Other Specifications

- 400 horsepower, 9 L PowerTech Plus engine provides both power and efficiency
- ProDrive transmission seamlessly shifts between two ranges for precise speed control
- 800 L fuel tank keeps you harvesting, not refuelling



Learn more at [www.JohnDeere.com](http://www.JohnDeere.com)



	C670
<b>FEEDERHOUSE</b>	
Conveyor chains	3 chains
Header reverser power, hp	80
<b>THRESHING CYLINDER</b>	
Cylinder diameter, mm	660
Cylinder width, mm	1400
No. of rasp bars	10
Cylinder speed range, standard, rpm	475 – 1030
Cylinder dual range drive, option, rpm	240 – 510 & 475 – 1030
<b>CYLINDER CONCAVE</b>	
No. of concave bars (small grain and universal)	13
<b>STRIPPER</b>	
Stripper diameter, mm	140
Stripper width, mm	1400
<b>OVERSHOT BEATER</b>	
Overshotbeater diameter, mm	418
high speed (standard) for small grain and rape, rpm	1100
low speed (optional) for maize, peas and beans, rpm	700 rpm
<b>TINE ROTORS</b>	
Rotor diameter – front, mm	464
Rotor diameter – end, rpm	502
Rotor length, mm	3400
Rotor speed – standard dual range drive, rpm	570 for corn and fragile crops ; 740 for small grain and hard threshing conditions
<b>DISCHARGE BEATER</b>	
Beater diameter, mm	390
Number of wings	4
<b>TOTAL ACTIVE SEPERATION AREA</b>	
Cylinder concave area, m <sup>2</sup>	1.05
Tine concave area, m <sup>2</sup>	2.85
Total active separation area, m <sup>2</sup>	3.90
<b>CLEANING SYSTEM DUAL-FLO; ADJUSTABLE PRE-CLEANER</b>	
Fan speed range, rpm	750 – 1600
<b>GRAIN TANK</b>	
Volume, l	10000
Unloading auger swing range, degree	105
Unloading rate, l/sec	88
<b>RESIDUAL DISPOSAL</b>	
<b>PREMIUM STRAW CHOPPER (STANDARD)</b>	
Number of knives	88 rotating, 57 stationary
<b>ENGINE</b>	
John Deere PowerTech Plus. 6- cylinder, turbocharged, air-to-air after-cooled, diesel	
Engine type	6090HZ003D
Rated speed, rpm	2200
Displacement, l	9
Maximum power available for harvesting (ECE R120), kW / hp	2999 / 400
Engine speed (rated – 100), rpm	2100
Fuel tank capacity, l	800
<b>GROUND DRIVE</b>	
Transmission type	3 speeds
ProDrive	optional
<b>WEIGHTS</b>	
LevelLand combines, kg	15310
HillMaster combines, kg	15810
<b>TRANSPORT WIDTH</b>	
With 650/75R32, m	3.3
With 800/75R32, m	3.5

\* Specification and design subject to change without notice

\*\* Data varies depending on specification, weight with trailer hitch & chopper

## T-Series Specifications

1. **Adjustable pitch on the fingers of the reel** – Allowing optimisations for crop feeding
2. **Long feederhouse** with shallow angle provides excellent visibility of the platform
3. **Quiet, spacious cab with CommandCenter Display** provides unbelievable comfort and control
4. **600 Series cutting platforms** match the capacity of your combine
5. **HillMaster** – For full body levelling, for optimum performance and operator comfort
6. **Advanced T-Series separation system** guides crop mat along a smooth path for tremendous straw quality
7. **Dedicated precleaner and advanced walker design** combine to provide rigorous separation and cleaner grain
8. **Up to 11,000 L grain tank capacity** keeps you harvesting, not unloading
9. **Standard or Premium Chopper system** – Allows individual solution to meet every farmer's needs

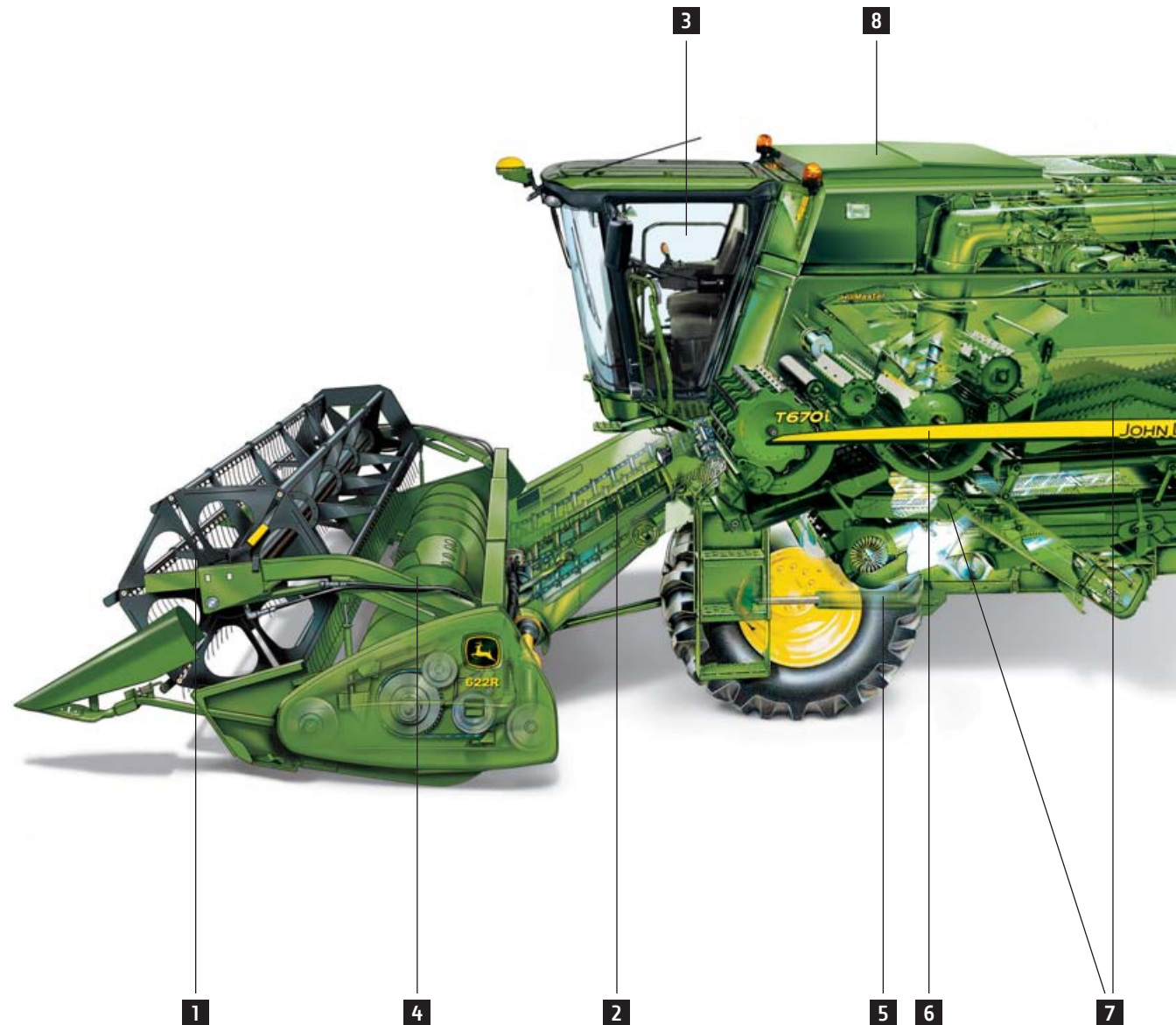
### Other Specifications

**Automatic Combine Adjustment (ACA)** with 16 crop settings makes it easy to match combine performance to crop conditions

**PowerTech Plus engine**, with a 290 to 400 hp range, provide a balance of high power and fuel economy

**ProDrive transmission** seamlessly shifts between two ranges for precise speed control

**800 L fuel tank** gives you all-day harvesting ability



Learn more at [www.JohnDeere.com](http://www.JohnDeere.com)



	T550	T560	T660	T670
<b>FEEDERHOUSE</b>				
Conveyor chains	3 chains	3 chains	4 chains	4 chains
Header reverser power, hp	80	80	80	80
<b>THRESHING CYLINDER</b>				
Cylinder diameter, mm	660	660	660	660
Cylinder width, mm	1400	1400	1670	1670
Number of rasp bars	10	10	10	10
Cylinder speed range standard, rpm	475 – 1030	475 – 1030	475 – 1030	475 – 1030
Cylinder dual range drive, option, rpm	240 – 510 & 475 – 1030	240 – 510 & 475 – 1030	240 – 510 & 475 – 1030	240 – 510 & 475 – 1030
<b>CYLINDER CONCAVE</b>				
Number of concave bars (small grain and universal)	13	13	13	13
<b>TINE SEPARATOR AND SEPARATOR CONCAVE</b>				
Cylinder diameter, mm	660	660	660	660
Tine Separator speed, rpm	450 & 900	450 & 900	450 & 900	450 & 900
<b>THIRD CYLINDER AND CONCAVE</b>				
Rear beater diameter, mm	400	400	400	400
Third cylinder speed	Single speed rel. to 1 x separator adjustable	Single speed rel. to 1 x separator adjustable	Single speed rel. to 1 x separator adjustable	Single speed rel. to 1 x separator adjustable
Third concave				
<b>TOTAL ACTIVE SEPARATION AREA</b>				
Cylinder concave area, m <sup>2</sup>	1.05	1.05	1.25	1.25
Tine concave area, m <sup>2</sup>	1.30	1.30	1.56	1.56
Third concave area, m <sup>2</sup>	0.45	0.45	0.55	0.55
Total active separation area, m <sup>2</sup>	2.80	2.80	3.36	3.36
<b>STRAW WALKERS</b>				
Number of walkers	5	5	6	6
Walker length, m	3.25	3.25	3.25	3.25
Number of steps	7	7	7	7
Walker area, m <sup>2</sup>	4.5	4.5	5.4	5.4
<b>CLEANING SYSTEM DUAL-FLO; ADJUSTABLE PRE-CLEANER</b>				
Fan speed range, rpm	750–1600	750–1600	750–1600	750–1600
<b>GRAIN TANK</b>				
Volume, l	8000	10000	11000	11000
Unloading auger swing range, degrees	105	105	105	105
Unloading rate, l/sec	88	88	88	88
<b>STANDARD STRAW CHOPPER</b>				
Number of knives	56 rotating, 54 stationary	56 rotating, 54 stationary	68 rotating, 66 stationary	68 rotating, 66 stationary
<b>PREMIUM STRAW CHOPPER (OPTION)</b>				
Number of knives	88 rotating, 57 stationary	88 rotating, 57 stationary	108 rotating, 68 stationary	108 rotating, 68 stationary
<b>ENGINE</b>				
John Deere PowerTech Plus, 6 cylinder, turbocharged, air-to-air after-cooled, diesel				
Engine type	6068HZ482	6090HZ003B	6090HZ003B	6090HZ003D
Rated speed, rpm	2400	2200	2200	2200
Displacement, l	6.8	9	9	9
Maximum power available for harvesting (ECE R120)*, kW / hp	217 / 290	260 / 350	260 / 350	299 / 400
* engine speed (rated – 100), rpm	2300	2100	2100	2100
Fuel tank capacity, l	800	800	800	800
<b>GROUND DRIVE</b>				
Transmission type	3 speeds	3 speeds	3 speeds	3 speeds
ProDrive	NA	optional	optional	optional
<b>WEIGHTS</b>				
Levelland combines, kg	14240	14480	15290	15290
HillMaster combines, kg	14740	14980	15790	15790
<b>TRANSPORT WIDTH</b>				
With 650/75R32, m	3.3	3.3	3.3	3.5
With 800/75R32, m	3.5	3.5	3.8	3.8

\* Specifications and design subject to change without notice

## W-Series Specifications

1. **600R Series platforms** provide lower, faster cutting
2. **Long feederhouse** with shallow angle provides excellent visibility of the platform
3. **Quiet, spacious cab with CommandCenter Display** provides unbelievable comfort and control
4. **HillMaster** – For full body levelling, for optimum performance and operator comfort
5. **QuadroFlo cleaning system** – offers superior cleaning capacity
6. **Dedicated precleaner and advanced walker design** provide vigorous separation and cleaner grain
7. **HeaderTrak system** maintains even stubble height, even in rolling conditions
8. **Up to 11,000 L grain tank** keeps you harvesting, not unloading
9. **Premium Chopper system** offers two windrowing possibilities for excellent residue management

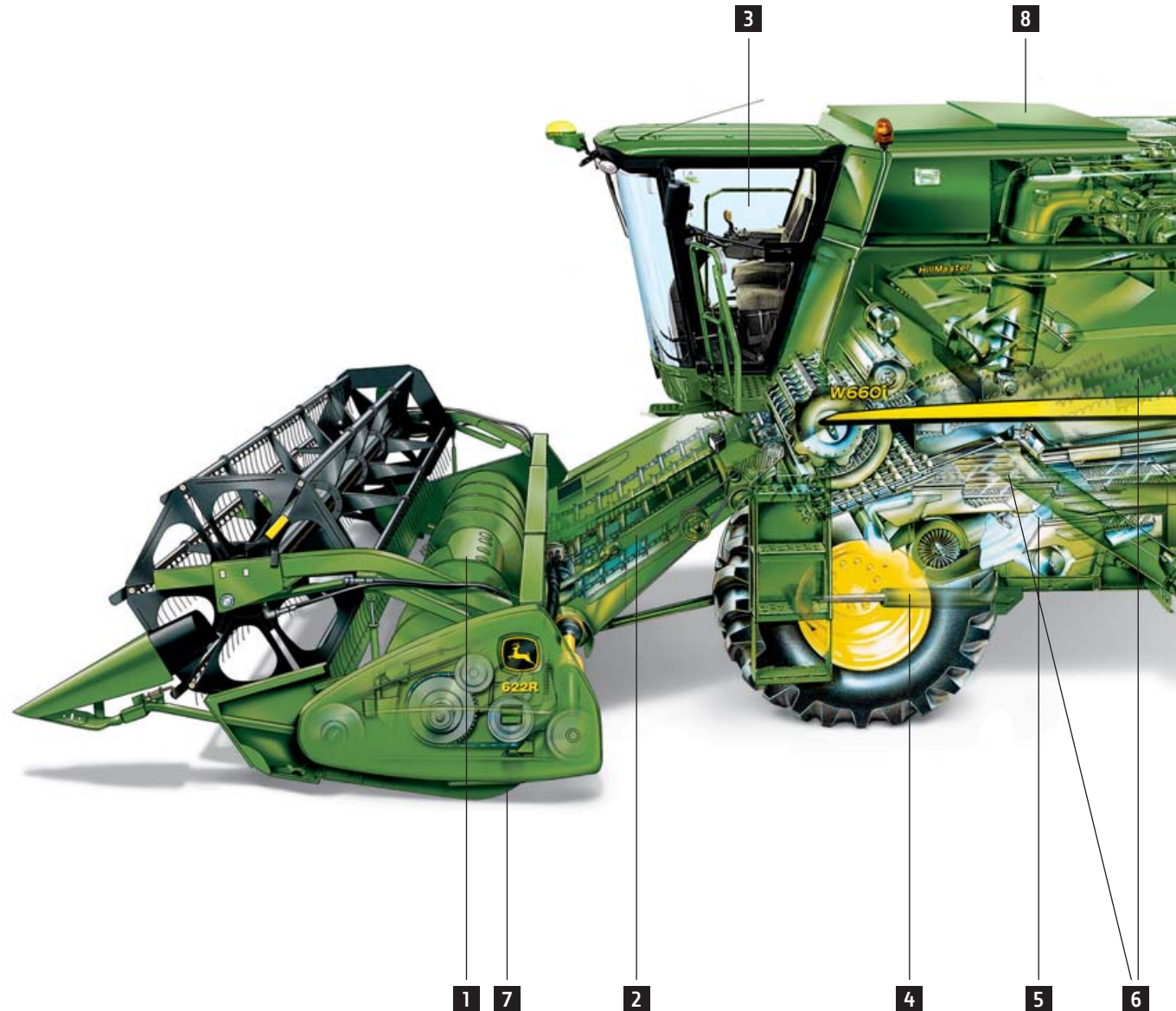
### Other Specifications

**255 to 318 hp** from the PowerTech Plus™ engine gives you the power to climb steep hills, even with a full grain tank

**Automatic Combine Adjustment (ACA) with 16 crop settings** makes it easy to match combine performance to crop conditions

**ProDrive transmission** seamlessly shifts between two ranges for precise speed control

**800 L fuel tank** gives you all-day harvesting ability



Learn more at [www.JohnDeere.com](http://www.JohnDeere.com)





	W540	W550	W650	W660
<b>FEEDERHOUSE</b>				
Conveyor chains	3 chains	3 chains	4 chains	4 chains
Header reverser power, hp	80	80	80	80
<b>THRESHING CYLINDER</b>				
Cylinder diameter, mm	660	660	660	660
Cylinder width, mm	1400	1400	1670	1670
Number of rasp bars	10	10	10	10
Cylinder speed range standard, rpm	475 – 1030	475 – 1030	475 – 1030	475 – 1030
Cylinder dual range drive, option, rpm	240 – 510 & 475 – 1030	240 – 510 & 475 – 1030	240 – 510 & 475 – 1030	240 – 510 & 475 – 1030
<b>CYLINDER CONCAVE</b>				
Number of concave bars (small grain and universal)	13	13	13	13
<b>SECONDARY CYLINDER AND CONCAVE</b>				
Beater diameter	400	400	400	400
Secondary cylinder speed	single speed rel. cyl.	single speed rel. cyl.	single speed rel. cyl.	single speed rel. cyl.
Secondary concave	adjustable	adjustable	adjustable	adjustable
<b>TOTAL ACTIVE SEPARATION AREA</b>				
Cylinder concave area, m <sup>2</sup>	1.05	1.05	1.25	1.25
Secondary concave area, m <sup>2</sup>	0.45	0.45	0.55	0.55
Total active separation area, m <sup>2</sup>	1.50	1.50	1.80	1.80
<b>STRAW WALKER</b>				
Number of walkers	5	5	6	6
Walker length, m	4.6	4.6	4.6	4.6
Number of steps	11	11	11	11
Walker area, m <sup>2</sup>	6.4	6.4	7.7	7.7
<b>POWER SEPARATOR</b>				
Drum diameter, mm	410	410	410	410
Number of type, pattern of fingers	15 retractable, in-line	15 retractable, in-line	18 retractable, in-line	18 retractable, in-line
<b>CLEANING SYSTEM DUAL-FLO; ADJUSTABLE PRE-CLEANER</b>				
Fan speed range, rpm	750 – 1600	750 – 1600	750 – 1600	750 – 1600
<b>GRAIN TANK</b>				
Volume, l	8000	8000 base; 10000 opt. for LL only	8000	8000 base; 11000 opt.
Unloading auger swing range, degrees	105	105	105	105
Unloading rate, l/sec	88	88	88	88
<b>STANDARD STRAW CHOPPER</b>				
Number of knives	56 rotating, 54 stationary	56 rotating, 54 stationary	68 rotating, 66 stationary	68 rotating, 66 stationary
<b>PREMIUM STRAW CHOPPER (OPTION)</b>				
Number of knives	88 rotating, 57 stationary	88 rotating, 57 stationary	108 rotating, 68 stationary	108 rotating, 68 stationary
<b>ENGINE</b>				
John Deere PowerTech Plus, 6 cylinder, turbocharged, air-to-air after-cooled, diesel				
Engine type	6068HZ480C	6068HZ482	6090HZ003C	6090HZ003B
Rated speed, rpm	2400	2400	2200	2200
Displacement, l	6.8	6.8	9	9
Maximum harvesting power (ECE R120)*, kW / hp	190 / 255	217 / 290	240 / 320	260 / 350
* at engine speed (rated – 100), rpm	2300	2300	2100	2100
Fuel tank capacity, l	800	800	800	800
<b>GROUND DRIVE</b>				
Transmission type	3 speeds	3 speeds	3 speeds	3 speeds
ProDrive	NA	NA	optional	optional
<b>WEIGHTS</b>				
LevelLand combines, kg	13650	13650	14720	14720
HillMaster combines, kg	14150	14150	15220	15220
<b>TRANSPORT WIDTH</b>				
With 650/75R32, m	3.3	3.3	3.5	3.5
With 800/75R32, m	3.5	3.5	3.8	3.8

\* Specifications and design subject to change without notice

\*\* Datas varies depending on specifications weight with trailer hitch & chopper

\*\*\* LevelLand combines only

## CWS-Series 2 Specifications

1. **600R Series platforms** provide lower, faster cutting in a variety of widths
2. **Long feederhouse** with shallow angle provides excellent visibility of the platform
3. **Quiet, spacious cab with clearly arranged corner post displays** offer you an easy, at-a-glance view of combine performance
4. **Heavy duty front axle and chassis** provide a sturdy structure to overcome all ground conditions
5. **4-stage separation** provides unbeatable performance across a wide range of crops
6. **Advanced walker design** provides proven, rigorous separation and cleaner grain
7. **HeaderTrak system** ensures even stubble height, even in rolling conditions
8. **6,000 to 6,800 L grain tank capacity** keeps you harvesting, not unloading
9. **John Deere 1450/1550 CWS-Series 2 combines** offer a full range of residue handling options to closely match your cropping practices from conventional-till to no-till

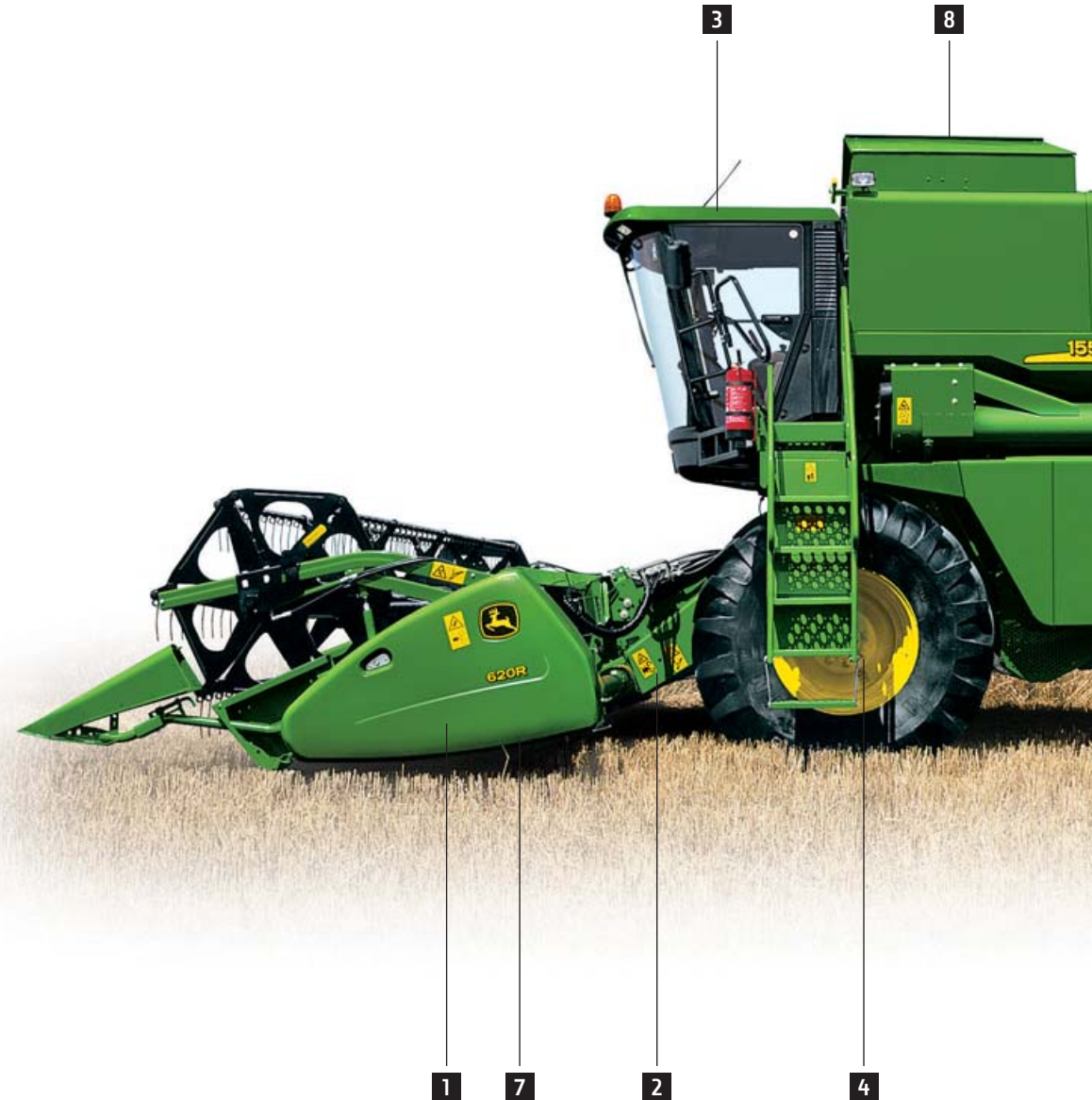
### Other Specifications

**PowerTech Plus engine** ranging from 204 to 262 hp provide a balance of high power and fuel economy

**Standard air compressor system** provides best maintenance facility

**Single-lever latching** gives you fast, convenient coupling of hydraulics and electrical components as well as locking the platform with only one movement

**Simple electric concave adjustment** is just one example of comfort and productivity – not normally found in combines of this class but standard on the CWS-Series 2 combines



Learn more at [www.JohnDeere.com](http://www.JohnDeere.com)



	1450 SERIES 2	1550 SERIES 2
<b>FEEDERHOUSE</b>		
Conveyor chains	3 chains	4 chains
Header reverser power, V	16	16
<b>THRESHING CYLINDER</b>		
Cylinder diameter, mm	610	610
Cylinder width, rpm	1300	1560
No. of rasp bars	8	8
Cylinder speed range, standard, rpm	380 – 1100	380 – 1100
Cylinder dual range drive, option, rpm	150 – 420; 400 – 1100	150 – 420; 400 – 1100
<b>CYLINDER CONCAVE</b>		
No. of concave bars (small grain and universal)	14	14
Concave adjustment	electrically in cab	electrically in cab
<b>BEATER</b>		
Beater diameter, mm	380	380
No. of wings	4	4
Beater speed	860	860
<b>STRAW WALKER</b>		
No. of walkers	5	6
Walker length, m	3.75	3.75
No. of walker steps	5	5
Walker area, m <sup>2</sup>	4.83	5.79
<b>POWER SEPARATOR</b>		
Drum diameter, mm	443	443
No. of, type, pattern of fingers	15	18
<b>CLEANING SYSTEM</b>		
Type of fan	scroll type	scroll tape
Fan speed adjustment	electrically in cab	electrically in cab
Fan speed range, rpm	550 – 1150	550 – 1150
<b>GRAIN TANK</b>		
Volume / optional, l	6000 / 6800	6000 / 6800
Unloading auger swing range, degrees	110	110
<b>STRAW CHOPPER</b>		
Number of knives	52	64
<b>ENGINE</b>		
John Deere PowerTech Plus, 6-cylinder, turbocharged, air-to-air after-cooled, diesel		
Engine type	6068 H	6068 H
Displacement, l	6.8	6.8
Maximum power available for harvesting (ECE R120), kW / hp	152 / 204	196 / 262
Fuel tank capacity, l	470	470
<b>GROUND DRIVE</b>		
Transmission type	3 speeds	3 speeds
<b>WEIGHTS</b>		
LevelLand combines, kg	10500	11600
<b>DIMENSIONS</b>		
Transport width, m	620/75 R30 --> 3.29	650/75 R32 --> 3.43

\* Specification and design subject to change without notice.

5

6

9

## Professional and friendly support you can depend on

Buying a John Deere combine is just the first step in the whole John Deere ownership experience. We work hard to make sure our customers are satisfied and come back to us year after year, that's why you'll find we're always there when you need us. In field service from our factory trained technicians is just one of the many services that make up the whole John Deere ownership experience. ServiceADVISOR computerised diagnostics provides high first-time, first-fix rates and when you add our comprehensive parts support John Deere service is second-to-none. Our European Parts Distribution Centre stocks 168,000 different parts lines with 99% fulfillment of emergency orders. Genuine John Deere parts are also designed to last longer. Take our Plus-50 oil. When it's used in combination with John Deere filters you can enjoy significantly longer intervals between oil changes.



This literature has been compiled for worldwide circulation. While general information, pictures and descriptions are provided, some illustrations and text may include finance, credit, insurance, product options and accessories NOT AVAILABLE in all regions.

PLEASE CONTACT YOUR LOCAL DEALER FOR DETAILS. John Deere reserves the right to change specification and design of products described in this literature without notice.

"John Deere's green and yellow colour scheme, the leaping deer symbol and JOHN DEERE are trademarks of Deere & Company."



### "Take the credit for buying the best"

John Deere Credit – A range of finance options as powerful as our products. Contact your John Deere dealer for a comprehensive range of finance options to suit the specific needs of your business.

"Not available in all countries please consult your local dealer"