



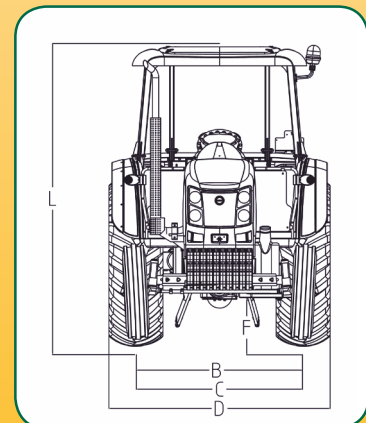
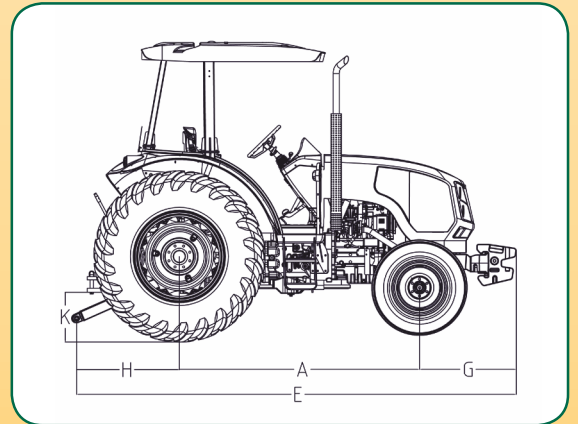
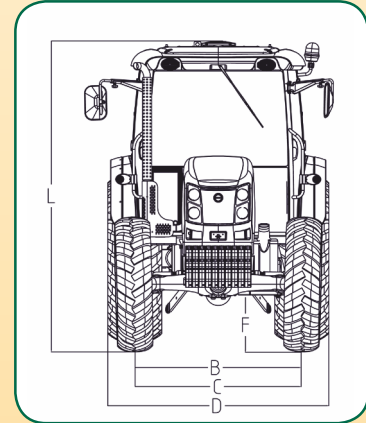
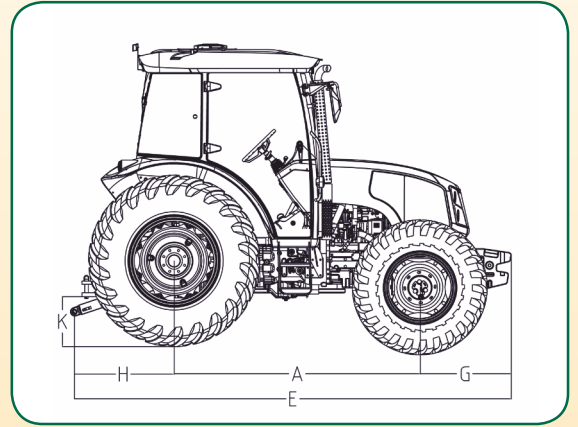
ArmaTrac[®]

852e / 854e



Armed well for even the toughest job.
Anywhere on earth.

ENGINE	ArmaTrac 852e	ArmaTrac 854e
Trademark / Type	Perkins 1104A-44 TIER 0 / Water-cooled, direct injection diesel, 4 cylinders	
Power	61,5 kW / 83 hp @ 2200 rpm	
PTO Power	52 kW @ 2200 rpm	
Volume	4,4 lt	
Aspiration	Naturally aspirated	
Bore / Stroke	105 mm / 127 mm	
Torque	289 Nm @ 1400 rpm	
CLUTCH		
Type	Dry, dual, mechanical control, 280 mm diameter, cerametallic lining material	
TRANSMISSION		
Type	T 506 UP mechanical	
Shifting	1-2-3-4, F/R synchronised; range non-synchronised	
Gears	12+12	
POWER TAKE-OFF (PTO)		
Type	Mechanical, hand-lever operated, top link sensing, independent	
PTO Speed	540-750 rpm	
LINKAGE and HYDRAULICS		
3-point linkage	Top link sensing, Cat.2 linkage with ball ends	
Linkage control	Mechanical, with draft, position and mixed	
Max. lift capacity @ link ends	2600 kg or 3000 kg	
Max. oil flow / operating pressure	38 lt/min, 45 lt/min (optional) / 180 bar	
Remote valves	1 or 2 sets of additional valves, with hand lever control	
STEERING		
Type	Hydrostatic	
BRAKES		
Type	Hydraulic, oil-cooled, 5 plate disc brakes	
Parking brake	Hand-lever operated	
Trailer brake	Compressor (Optional) or Double-circuit pneumatic system (Optional)	
WHEELS and TIRES		
Front	7,50-18	12,4-24
Rear	18,4-30	
WEIGHTS and DIMENSIONS		
Unballasted weight	3020 kg / 3210 kg	3290 kg / 3480 kg
A - Wheelbase	2275 mm	2330 mm
B - Front track width	1500-1900 mm	
C - Rear track width	1500-1900 mm	
D - Width	1990 mm	
E - Length	4115 mm	
F - Ground clearance	520 mm	
G - Distance from front to axle axis	880 mm	825 mm
H - Distance from lowerlink ends to rear axle axis	960 mm	
K - Drawbar height	475 mm	
L - Maximum height	2720 mm	
LUX OPTIONS		
Available with cab versions	Air condition, compressor, deluxe seat, 2 sets of remote valves, 3200 kg lifting capacity, side lamps, beacon lamp, rear wiper, electrical lifting system, adjustable steering wheel, radio/CD Player	



The manufacturer, Erkunt Tractor Industry Inc. realizes continual improvement policy. Therefore, it reserves the right to modify the technical characteristics indicated above without any notice.

Erkunt Tractor Industry Inc.

Organize Sanayi Bölgesi Batı Hun Cad. No:2 Sincan 06935 Ankara - TR
 P: +90 312 267 44 88 (Pbx) F: +90 312 267 44 91
 info@armatrac.com - www.armatrac.com