



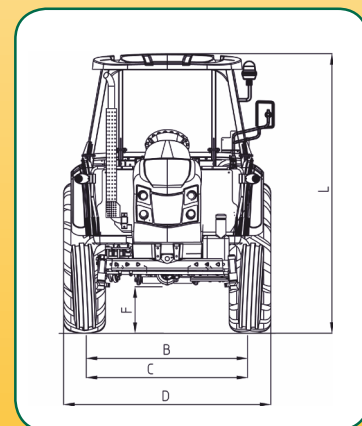
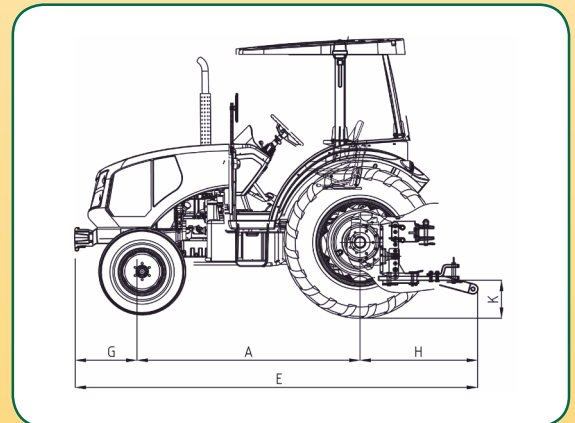
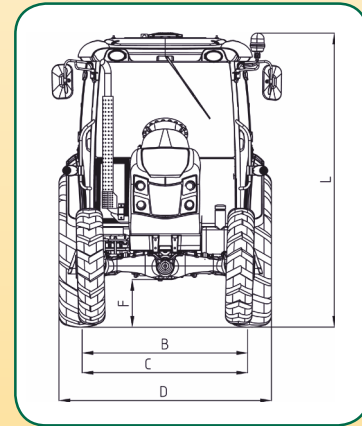
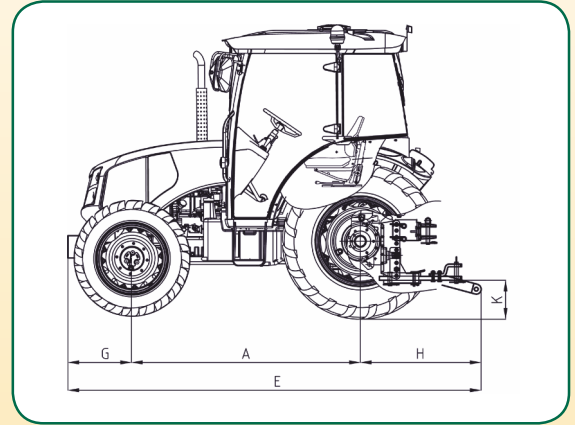
**ArmaTrac**<sup>®</sup>

602e / 604e



Armed well for even the toughest job.  
Anywhere on earth.

ENGINE	ArmaTrac 602e	ArmaTrac 604e
Trademark / Type	Perkins 1104A-44 TIER 0 / Water-cooled, direct injection diesel, 4 cylinders	
Power	48,5 kW / 66 hp @ 2200 rpm	
PTO Power	41 kW @ 2200 rpm	
Volume	4,4 lt	
Aspiration	Naturally aspirated	
Bore / Stroke	105 mm / 127 mm	
Torque	252 Nm @ 1400 rpm	
<b>CLUTCH</b>		
Type	Dry, dual, mechanical control, 280 mm diameter, organic lining material	
<b>TRANSMISSION</b>		
Type	T 50	
Shifting	1-2-3-4, F/R synchronised; range non-synchronised	
Gears	12+12	
<b>POWER TAKE-OFF (PTO)</b>		
Type	Mechanical, hand-lever operated, top link sensing	
PTO Speed	540 rpm or 540-750 rpm (optional)	
<b>LINKAGE and HYDRAULICS</b>		
3-point linkage	Top link sensing, Cat.2 linkage with ball ends	
Linkage control	Mechanical, with draft, position and mixed	
Max. lift capacity @ link ends	2200 kg	
Max. oil flow / operating pressure	38 lt/min, 45 lt/min (optional) / 180 bar	
Remote valves	1 set of valves, with hand lever control	
<b>STEERING</b>		
Type	Hydrostatic	
<b>BRAKES</b>		
Type	Mechanical, oil-cooled, 4 plate disc brakes	
Parking brake	Hand-lever operated	
<b>WHEELS and TIRES</b>		
Front	7.50-16	9.5-24
Rear	14.9-30	14.9-30
<b>WEIGHTS and DIMENSIONS</b>		
Unballasted weight	2483 / 2653 kg	2743 / 2923 kg
A - Wheelbase	2132	2180
B - Front track width	1400-1800 mm	
C - Rear track width	1400-1800 mm	
D - Width	1915 mm	
E - Length	3743 mm	
F - Ground clearance	376 mm	
G - Distance from front to axle axis	625 mm	
H - Distance from lowerlink ends to rear axle axis	950 mm	
K - Drawbar height	380 mm	
L - Maximum height	2563 mm	



The manufacturer, Erkunt Tractor Industry Inc. realizes continual improvement policy. Therefore, it reserves the right to modify the technical characteristics indicated above without any notice.