



MASSEY FERGUSON

TRELLEBORG

AGCO FINANCE

AGCO PARTS

Castrol

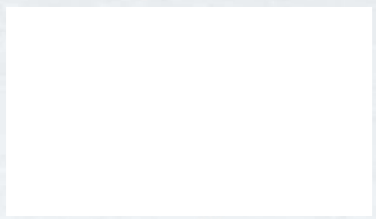
POWERED BY
FUSE TECHNOLOGIES

Supplay
Accelerator of solutions. Everywhere.

TAB LEONI
batteries

Telene
Innovative chemistry for designers

LODI



Web: www.MasseyFerguson.com
 Facebook: www.Facebook.com/MasseyFergusonGlobal
 Twitter: Twitter.com/MF_EAME
 Instagram: Instagram.com/MasseyFergusonGlobal
 YouTube: www.YouTube.com/MasseyFergusonGlobal
 Blog: Blog.MasseyFerguson.com



Responsible forest management

MF 5610 **ANTARCTICA 2** **NOW AVAILABLE**
SPECIAL EDITION

#BELIEVEINIT

Throughout the 28-day 4638 km journey, the MF 5610's engine clocked up an impressive 584 hours of operation.

FIRST STOP ANTARCTICA NEXT STOP YOUR FARM

www.masseyferguson.com/MF5610special



At 04.30 hrs on 9 December 2014, the intrepid Antarctica2 tractor expedition reached its destination. 90 degrees South, as far South as you can go!

In taking the team safely to the Geographic South Pole, the MF 5610 created a world record – the first standard farm tractor fitted with tyres to make it to the Pole overland! It was an epic and inspirational achievement.

Now, here's your chance to share in the adventure with the new MF 5610 Antarctica2 Special Edition – a little piece of history on your farm!

MF 5610 Antarctica2 Special Edition - features package:

- Superdeluxe air-suspended seat
- Mechanical cab suspension
- Six LED lights
- 540/540E/1000 rpm PTO
- Massey Ferguson's high-spec, off-road audio entertainment system
- Rear wiper
- AutoDrive Dyna-4 transmission
- Fenders as standard
- Trelleborg tyres fitted as standard
- Special black paint on engine grilles
- Decals of the Antarctica2 expedition partners
- Special Antarctica2 identification plate
- Optional AgCommand telemetry-based machine management system
- Castrol® oils used exclusively in factory-fill of lubricants
- Comprehensive range of financing solutions from AGCO Finance

The tractor comes with a package of unique features and exclusive design attributes reflecting the rugged challenges of the 4638 km battle across the ice.

With the emphasis on high performance, comfort, safety and control, this is a totally-select, one-off bundle of features developed especially by Massey Ferguson to celebrate the thrilling journey of the Antarctica2 expedition.

The MF 5610 South Pole tractor had a job to do and it delivered, just as it will deliver in the most challenging conditions on your farm.

Massey Ferguson's Antarctic heritage: In 1958, explorer Sir Edmund Hillary led the first mechanised expedition to the South Pole using Ferguson TE20 tractors fitted with tracks.

In 2014, 56 years since Hillary's epic journey, Manon Ossevoort had the same dream to take a Massey Ferguson MF 5610 tractor to the South Pole. This second bid for the South Pole by tractor was named Antarctica2. As part of the expedition, Manon invited others to share their dreams and believe in their goals.

#BELIEVEINIT



Antarctica2 – 04:30 hrs CET, 09 December 2014: Arrival ceremony at the South Pole.

MISSION ACCOMPLISHED, DREAM FULFILLED!

In achieving the mission, the MF 5610 made history and became the first standard farm tractor equipped with tyres to reach the Geographic South Pole.



"The tractor has been great - strong, steady and sure."
Manon Ossevoort, 'Tractor Girl'



Through intensive testing in Iceland, and a cold chamber in a military installation in France, Massey Ferguson engineers developed the ultimate tractor for the Antarctica2 expedition. Whilst the MF 5610's three cylinder engine remained unaltered, the tractor underwent a number of preparations to ensure Tractor Girl and the team make it to the South Pole.

Webasto technology and glycol tubes around the engine and transaxle to maintain the oil temperature

Powered by FUSE® on-board technologies

Additional hand rail so the driver can steady themselves with one arm, whilst driving with the other

Polycarbonate windows - more resistant to wind and less likely to break

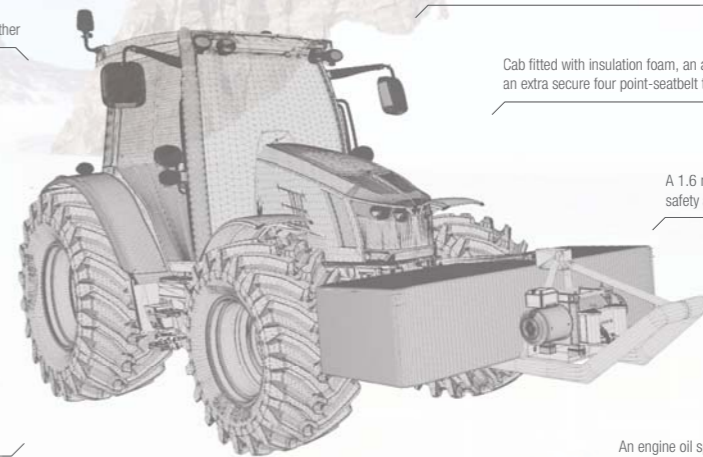
Thermal protection to the ECUs (Electrical Control Units) in the cab. Liquid-free battery technology

Cab fitted with insulation foam, an additional heating system and an extra secure four point-seatbelt to cope with bumps and jolts

Also carried on board was a bespoke tent large enough to house the MF 5610, the 220v generator and its fuel tanks

A 1.6 metre tow bar and built in winch for added safety and protection in areas with risks of crevasses

Additional 400 litre fuel tank, fixed to the tractor by a purpose-built frame connected to the three-point linkage rear system



Grille modified to incorporate larger air intakes and to increase air filtration into the engine and avoid ice formation

An engine oil specifically designed for high performance in very low temperatures was chosen from Castrol Lubricants

Progressive traction special tyres developed by Trelleborg for the 5.5 tonne, fully equipped, MF 5610. Ideal for the 10-20cm of compacted snow in Antarctica

MF 5610 ^{*}ANTARCTICA 2 SPECIAL EDITION

The MF 5610 Antarctica2 Special Edition provides straightforward dependability with exclusive features and unique design. These Exclusive features and design are not available on the standard MF 5600 model range. A machine ready to tackle the most challenging conditions on any farm.



Challenging light conditions:

- LED lights pack
- On handrails and roof

Special Antarctica2 support license plate (when Visio roof is not specified as an option)

Partner logos on cab

Optimal comfort whatever the terrain:

- Mechanical cab suspension
- Superluxe air-suspended seat

Increased safety with extra rear visibility whatever the weather conditions

- Rear wiper

Black cooling grilles

Comfort and safety, allowing the driver to concentrate on the task he is doing

- Autodrive Dyna-4 transmission

Hands-free Bluetooth® and USB socket - choose your audio source connecting directly your MP3 player, your USB Stick or your smartphone to keep connected with your business and personal contacts

- Off-Road Audio System (Radio / CD / Bluetooth®)

Offers standard and ECO PTO Speed at 1560 engine revs to save fuel and cut production costs

- 540/540E/1000 PTO

Extra protection for the tractor and the driver

- Lodi fenders as standard

Delivers excellent fuel economy and performance - maintenance free. Combines superb performance with efficiency in all conditions.

- AGCO POWER three cylinder engine

Antarctica2 Driver's kit

Exclusive Castrol Oil

Benefit from the traction performance and low soil compaction of the first Ag Tyre Brand to have reached the South Pole.

- Trelleborg front and rear tyres ONLY. Choose the dimension to fit your needs.

Metal plate in-cab featuring Special Edition Number



Jacket inspired by Antarctica2



Partner logos on cab



Special Edition Number metal plate

Total Support. There when you need it



AGCO's overarching new technology strategy is called Fuse Technologies and it will provide professional growers around the globe seamless integration and connectivity across all their farm assets. It will transform farming by delivering precision agriculture solutions that lead to reduced input costs, greater efficiency and profitability.



AgCommand® is the perfect fleet management and monitoring tool for large businesses, contractors or anybody who needs to keep a close eye on equipment out working – at all times. Part of the Fuse Technologies, it can be fitted to a wide range of equipment to create a comprehensive, universal system.

Operating data is collected automatically, transferred wirelessly and displayed in near real time on a secure webpage – there's no need to install any special software.



manager

provides total peace of mind

manager Service and Extended Warranty Plan* is a comprehensive, industry-leading package that provides total care of your tractor providing routine maintenance, repairs and a full AGCO-backed warranty, which includes:

- Engine and transmission
- Hydraulics
- PTO
- Steering
- Electronics
- Cab and controls
- Axles

The Massey Ferguson distributor and dealer network ensures every machine comes with the support and service you need to keep working – whenever and wherever you need it.

Our dealers are committed to finding the right product for you and then supporting you with the best services, parts provision and back-up. Behind every Massey Ferguson machine is a family of highly skilled specialists who are dedicated to supporting you, your equipment and your business.

Regular servicing in the **manager** plan provides 'preventive maintenance' – picking up any faults before they become a problem, which helps reduce downtime. A full dealer service history, using genuine AGCO Parts will also increase the residual value of the machine.

Ask your dealer about our finance plans, which can include leasing, hire purchase, contract hire and loan facilities.

NOW AVAILABLE FOR A LIMITED PERIOD ONLY