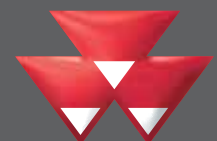


HP 243-276 | MFACTIVA S

The MF 7300 Combine Harvester; a new class of performance
2 models: 5 and 6 straw walkers



VISION INNOVATION LEADERSHIP QUALITY RELIABILITY SUPPORT PRIDE COMMITMENT



MASSEY FERGUSON



Breganze, Italy

Harvesting Centre of Excellence for Massey Ferguson,
Home of precision engineering and manufacture,
Birthplace of the best purchase you'll ever make.

This is where each machine comes to life, where every tiny piece comes together to produce machines of incredible capabilities. The Breganze combine factory lies within the beautiful province of Vicenza in Italy. Like the various Massey Ferguson production plants around the world, the Breganze factory has an extensive and proud agricultural manufacturing history.

The Breganze factory manufactures mid-range, hybrid and 8-walker combine harvesters for Massey Ferguson, for distribution in Europe, Africa and the Middle East. This modern facility is 220,000 square metres and employs over 400 people. Produced using the latest technology, combine harvesters at the Breganze plant are built to the highest specification and quality by a very dedicated team.

Today Breganze produces combines with a range of threshing technologies. All combines are complemented by a range of FreeFlow or PowerFlow headers, available in different sizes, that are designed to maximise harvesting speed and efficiency while minimising crop loss.



Built to meet the demands of the toughest harvests



01. PowerFlow header – Active crop flow for continuous feed to the threshing cylinder in all conditions.

02. Power Feed Roller – Ensures continuous feed across the full width of the crop elevator for high outputs and excellent threshing quality.

03. Threshing cylinder – High inertia threshing cylinder with ballast bars delivers high performance even in tough conditions.

04. Heavy Duty concave – Independent front and rear setting of concave clearance facilitates optimal adjustment for best threshing results in any condition and crop (optional Universal concave).

05. Multi Crop Separator Plus – Increased active grain separation in tough conditions. Uniquely the MCS Plus concave can be swivelled over the top to maintain good straw quality in dry conditions.

06. Straw walkers – 4.256 m long straw walkers with high and permeable straw walker steps for improved separation

07. Shaker shoe – Long grain pan with high dividers and 'High Capacity' sieves offer a very clean grain sample.

08. Cab – Comfortable and ergonomic cab layout with all controls within close working distance on the armrest mounted Multi Function Lever and console, both of which mounted on the air suspended driver seat.

09. Grain Tank – New grain tank design with electrically operated grain tank lids and high capacity for long runs in the field.

10. Engine – Powerful AGCO SISU POWER 6-cylinder engine with SCR technology for excellent fuel efficiency and cleaner emissions.

11. Straw chopper – Multi adjustable serrated blade chopper for excellent chopping quality with low power requirement giving an even spread of material over the entire table working width.

Ready when you are. The MF ACTIVA S - a practical solution for mixed farmers

Designed to offer farmers a real choice, the new Massey Ferguson Activa S combine range has features that create performance and offer practicality. The operator has been given new, higher levels of comfort in this class while offering simple straightforward choices of specification.

Medium to large farmers often have a variety of crops to combine and each machine needs to offer the best selection of settings to get the output required whilst maintaining a good clean sample.

Surveys show that the operators of these machines need practical solutions to do this and therefore value simplicity and comfort.

Drawing on 50 years' experience in the design and manufacture of harvesting machinery, these combines are capable of handling the most demanding harvests.

MF ACTIVA S combines are built to the high standards you would expect of a modern manufacturing plant. Its straightforward practical design gives a mix of technology and functional features that are simple to work with and get the best from, in the field, where time is of the essence.

Low cost of ownership is a critical factor. Every component has been designed and selected for maximum durability and long life.

Many of the parts that actually come into contact with the crop benefit from the use of thicker, hard-wearing materials. What is more, over 80% of the parts are galvanized and all are painted before assembly. This further enhances the longevity of the machine and maximises resale value.

The harvest doesn't need to be a daunting prospect. Relax and make light work of it with the MF ACTIVA S range.

Model	Power hp/ kW (ISO 14396)	No. of straw walkers	Grain tank capacity (litres)
MF ACTIVA S 7345	243/179	5	8600
MF ACTIVA S 7345 MCS	243/179	5	8600
MF ACTIVA S 7347	276/203	6	8600
MF ACTIVA S 7347 MCS	276/203	6	8600



Your workplace – the control centre

When you're combining for long periods of time you want comfort and control. The MF 7300 ACTIVA S Cab offers the environment you need.

Enjoy new styling and new cab features with the MF Activa S
Making light work of long working days is the aim of the MF 7300 Series ACTIVA combine. Spending the best part of the day and sometimes the night in the combine cab means the working environment needs to be functional, productive and comfortable.

The multi adjustable air suspension seat is the key; positioned with maximum visibility in mind, the multi position steering column slots into place once the operator is in the seat. As the new armrest is part of the seat it also positions itself correctly, placing the dash and multifunction lever in a comfortable position for the operator. The multifunction control lever falls readily to hand next to the new console holding the switch and function layout.

Monitoring and Control - Keeping a watching brief
The Agritronic plus monitor and right-hand console provide all the information and control needed by the operator throughout the harvesting process including; harvested area, engine rpm, losses and shaft speed monitoring. You can also see and alter the position of the front and rear concave.

A superb array of lights make night harvesting easy going. All work lights are specifically positioned for enhanced visibility.

The cab comes with a host of features you would expect in an operator environment of this quality

- Adjustable airseat
- Air conditioning and heating
- Electrically adjustable heated mirrors
- Instructor seat
- Optional cooler and storage box
- Eight working lights
- Excellent sound insulation
- Easy, safe steps to reach the cab

01. Comfortable, spacious cab.
02. Easy to use Multifunction lever.
03. New control panel.
04. Information at your fingertips - Agritronic plus.
05. Ten powerful working lights.



01



02



03



04



05

09

Performance starts with X993080005002the header and feed

Even in the toughest conditions you want to get on, superior feed is a must for work efficiency. The MF Activa S combine now offers two types of high performance header; you can rely on them both to get the job done.

The FreeFlow cutting tables on the MF 7345S and MF 7347S combines are designed for harvesting a wide variety of crops. The table consists of a welded frame to which bolt-on panels are mounted. These panels, for example the table bottom plates, can be replaced easily when required.

The crop is cut by a high performance (1254 strokes per minute) Schumacher knife and gearbox. It then feeds into a large 610mm diameter table auger that has feathering fingers along its entire length. These ensure even distribution of the crop as it is fed into the main crop elevator.

All the table and reel adjustments are made using the MultiFunction lever in the cab. Auto level and automatic cutting height control is standard on all machines to optimise table performance on all types of terrain. Lifters can be fitted and to keep turnaround time to a minimum a multi coupler is fitted as standard.

PowerFlow - The powerful choice

A Schumacher knife and drive is also used for the PowerFlow table - Crops like oil seed rape, peas and rye are as difficult to harvest as laid wheat and barley. Pioneered by Massey Ferguson, the PowerFlow table has the ability to tackle these crops with ease.

The knife is a massive 1.14 m from the table auger for maximum visibility and performance.

The rugged PowerFlow belts power the crop away from the knife and into the main crop elevator at a consistent speed. Few changes are required on the table when moving from one crop to another like, for instance when combining oilseed rape. Tests have shown that you can increase your output by up to 73% in difficult conditions with PowerFlow so it's a real high performance option.

Even more capacity available

The addition of the High Capacity Rape Auger option provides extra output in tall crops by enhancing the flow through the auger and reducing header loss over the rear of the table. One or two rape knives can be specified as an option on the table which is pre-wired.

Exclusive Power Feed Roller (PFR)

In the MCS combine version the Power Feed Roller is standard equipment. It sits at the front of the main crop elevator to give a consistent crop flow from the table into the main crop elevator. As a result of a more even crop flow, less power is needed to thresh the crop. The crop is distributed across the full width of the elevator which can maximise the potential of the threshing unit.

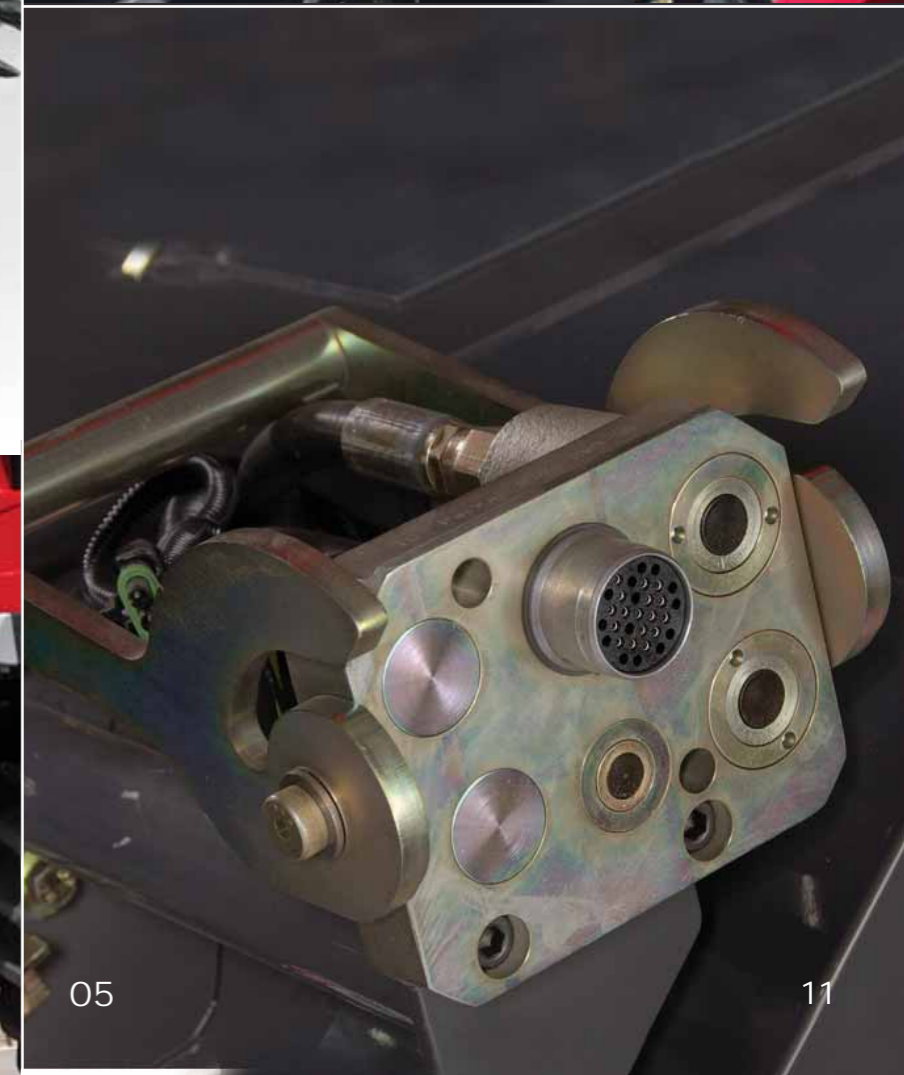
In addition, as the crop is readily prepared for optimum threshing, power requirement and fuel consumption are significantly reduced.

On the non MCS version, a straightforward simple, 4-chain elevator* is used to transport the crop from the table to the cylinder. Both versions have slip clutch protection avoiding damage and extra cost when taking in foreign bodies.

- 01. FreeFlow header.
- 02. PowerFlow header with belt feed and high capacity rape auger.
- 03. Double serrated Schumacher knives are protected by closed knife fingers for maximum strength and efficient performance.
- 04. Power Feed Roller (PFR).
- 05. The multi-coupler. With one action all connections are made.

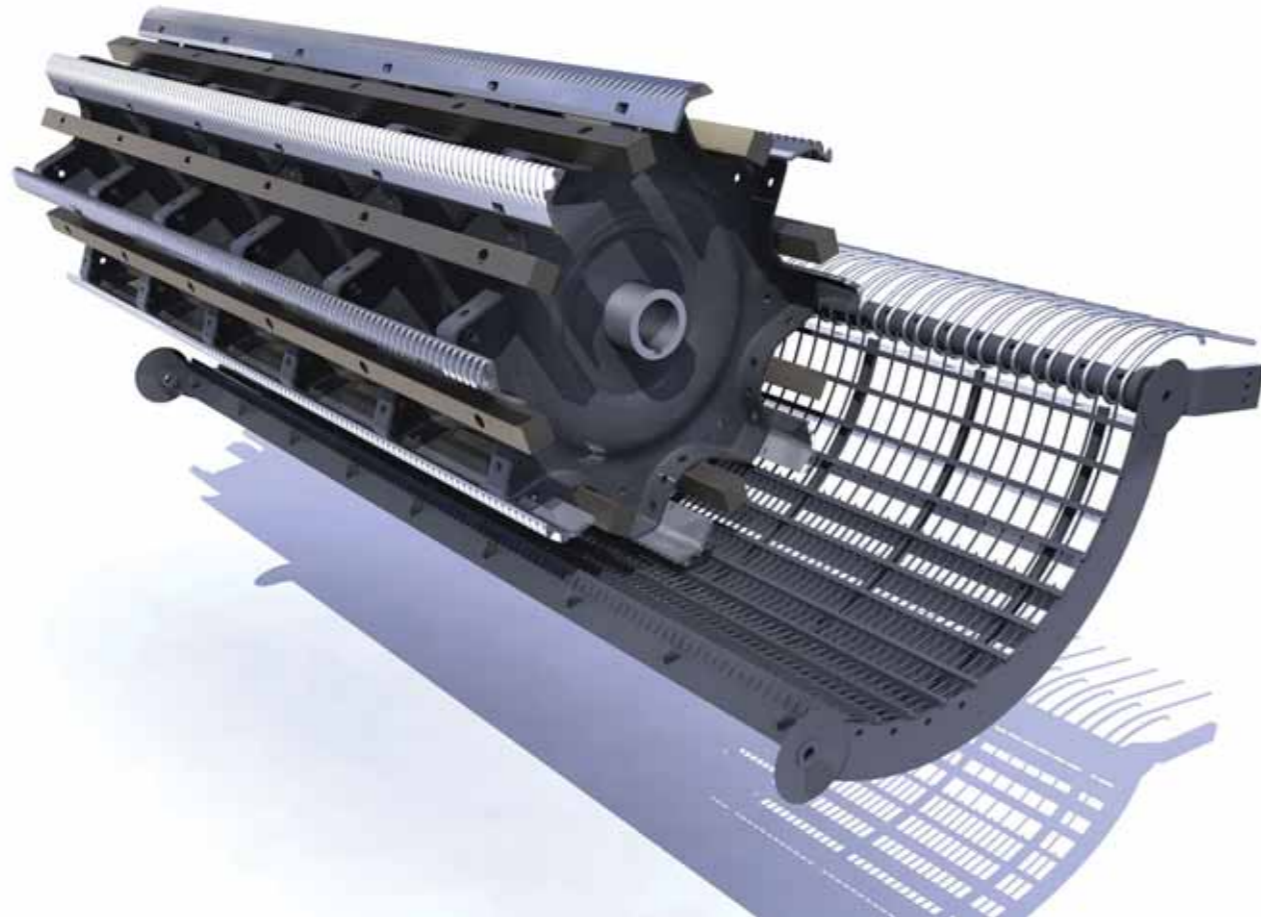
*Available on 6 walker machines. 3-chain elevator available on 5 walker machines

FreeFlow Table sizes	m	4.8	5.4	6.0	7.0	7.6
PowerFlow Table sizes	m	-	5.5	6.2	-	-



Threshing - The flexible heart of the combine

Equipped with a robust, high-inertia cylinder and a heavy-duty concave, these machines are able to effectively thresh the majority of crops with ease.



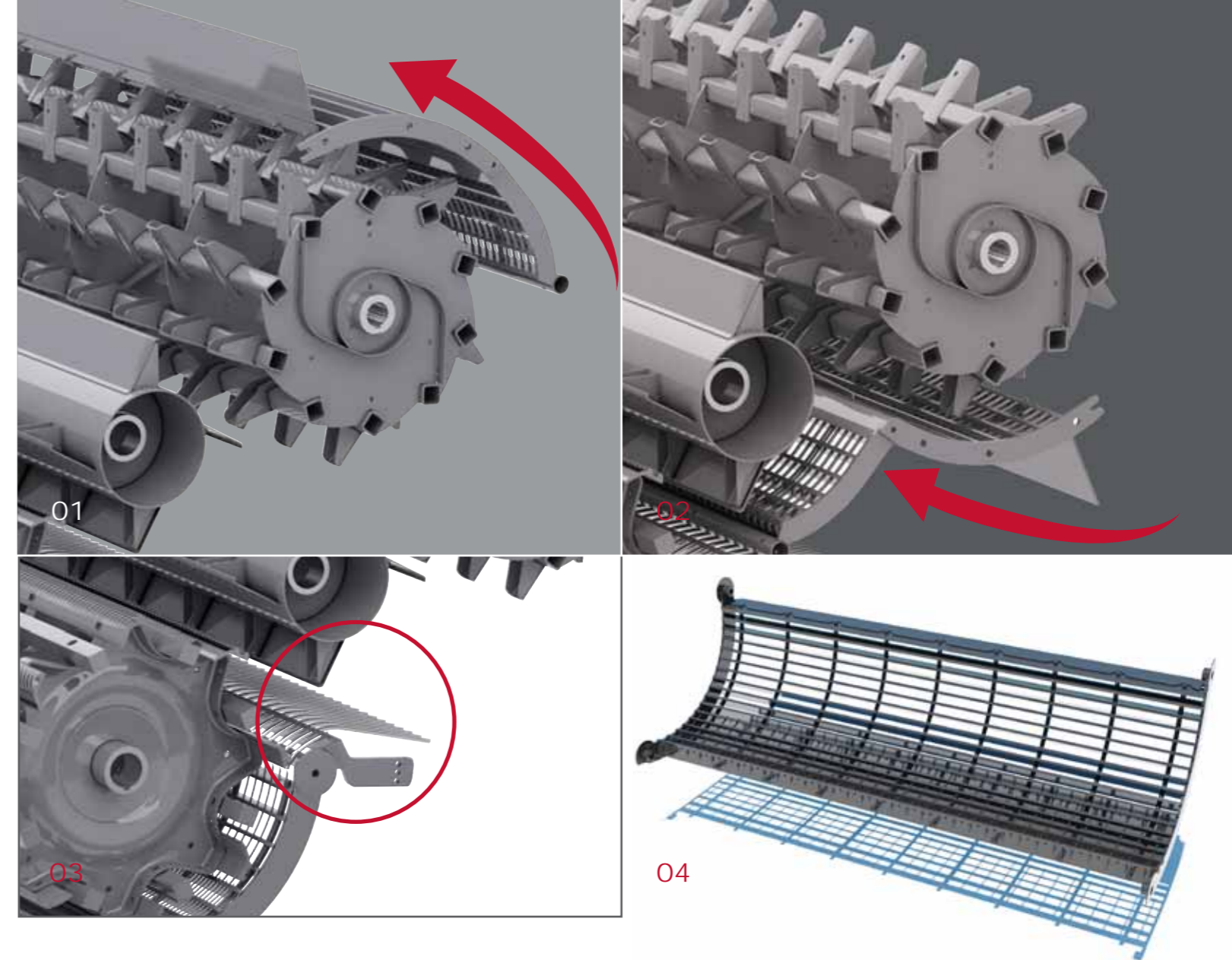
The threshing drum has added weight in the form of ballast bars to increase the weight behind the rasp bars as they thresh the heads. This reduces load on the drives, power requirement and fuel consumption.

The concave has differentiated wire spacing, i.e. the rear section of the concave has half as many wires as the front section. This principle provides the optimum balance between high threshing capacity and good grain flow through the concave.

Independent adjustment of the front and rear of the concave is via electric controls in the cab. This makes it possible for the operator to set the concave to the optimum position to suit the conditions, or even to work with the concave in the parallel position when required.

This simple and easy adjustment can make a big difference to throughput. On the non-MCS (Multi crop separator) version, the rear of the concave has the 'ABC module' which lengthens the wrap of the concave by 14 degrees

and is adjustable in three positions for different straw lengths and moistures to provide an optimum feed onto the walkers.



Separation choices to suit your harvest

The MCS version has a rotary separator as standard, which features adjustable concave and speed. This gives the operator the ability to match the combine settings to the condition of the crop, optimising separation and straw quality.

The MCS has one unique feature that sets it apart from the rest; the ability to rotate the concave up and over the top of the rotary separator when it is not required. The concave is moved electrically, requiring no tools.

This makes it possible to optimise machine performance in dry conditions, improving throughput. The separating system performs at maximum capacity according to the type of crop being harvested and straw quality requirements.

Maize and sunflower harvest made easy

For customers with smaller areas of varied crop a universal concave can be fitted from the factory saving time and money when changing crops. A full maize kit can also be fitted quickly and simply.

- 01. MCS Plus 'turned out' optimises performance in dry conditions and easy to thresh crops.
- 02. MCS Plus 'turned in' for sustained performance in heavy conditions.
- 03. The 'ABC' module.
- 04. Universal concave.



Precise separation...

...down to the very last grain, thanks to the clever walker design

The long straw walkers feature four steps with 'active walls'. The 21 cm high, vertical sections of the walker steps are made up of permeable grids. These grids release grain while the straw is being agitated.

This gives extra open surface area for more efficient separation. These are also the highest for any conventional combine. The front steps of the straw walkers are reinforced to deal with the high flow of straw from the threshing system and rotary separator.

The fully-welded walkers are of a 'closed bottom' design and are 'hot-dip' galvanized for increased durability.

These combines are gentle on the straw, leaving perfectly formed swaths with the adjustable crop guides for balers. Producing good quality straw for bedding or feeding.

Get ready for primary cultivation with your combine

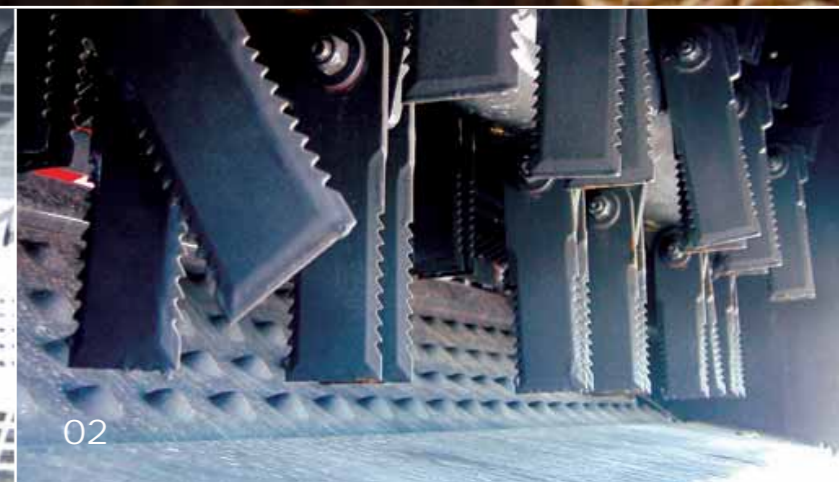
The straw chopper on the MF ACTIVA S combine is specifically designed to give these machines unrivalled chopping and spreading performance, ideal for farmers using reduced tillage operations.

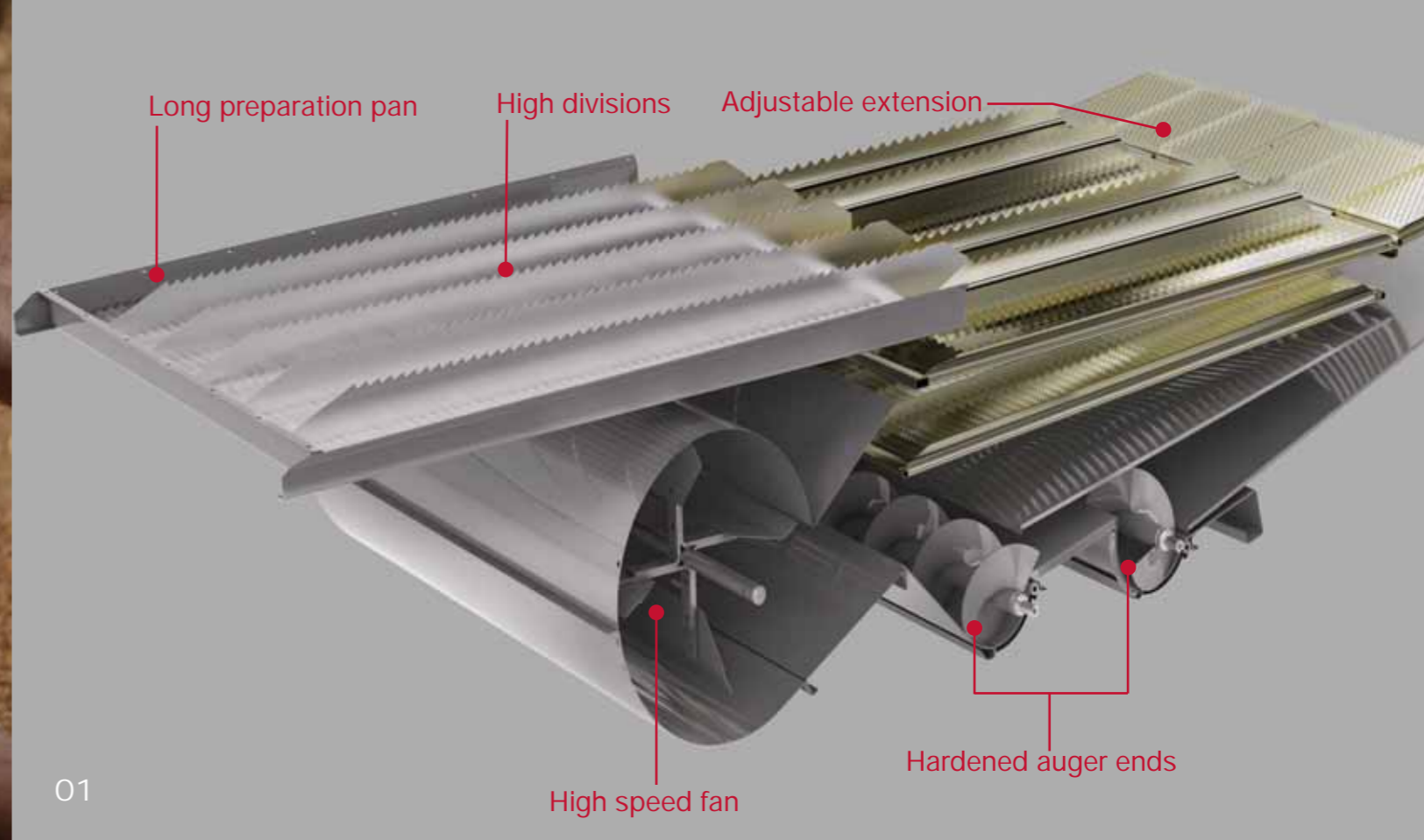
All knives in the straw chopper are serrated to give a clean chop and reduce the power requirement. The fully adjustable stationary knives and straw chopper hood ensure complete control over the quality and spread of the chopped straw. In addition, the adjustable floor of the chopper is dimpled, which deflects the chopped straw upward, back into the rotating knives for a finer chop.

The straw chopper is engaged automatically once the chopper hood is moved into the correct working position. The deflection plate on the straw walker hood is easily moved by a lever. The chopper can also be converted very quickly for harvesting maize. In order to save fuel the chopper drive line is completely disengaged when not in use.

A multi-position chaff spreader is available for use in grain or maize and provides an even chaff spread across the ground. It folds away easily allowing access into the sieve area.

01. A choice of 5 or 6 straw walkers is available.
02. Adjustable stationary chopper knives for best chopping quality.
03. Straw chopper with fully adjustable rear spreading hood.





Clean in the field - direct to the grain store

Mixed material from the threshing zone and the walkers is sorted on the long preparation pan (01). High dividers keep the material evenly spread on undulating ground which then falls into the air flow from the full width radial fan. The top and bottom sieves are balanced with opposing movement which allows excellent air circulation from the fan, which is electrically adjustable from the cab.

Unique Sieve design for high performance

The sieve profile is the key to shaker shoe performance. The high performance sieves are specially designed with vertical tags (02) which improve the sample and allow you to open the sieves wider for greater throughput.

The practical design also allows one person to remove and clean the sieves easily between crops. The good grain and return auger are reinforced, this ensures long life and durability. This is particularly beneficial after harvesting maize as wear and tear is accelerated in abrasive crops. The elevator structure surrounding these areas are made of Hardox® steel for long life but can be unbolted and replaced easily.

High capacity grain tank

The grain tanks have a high capacity of 8600 on both the 5 & 6 walker machines while the unloading rate of 85 l/sec is amongst the highest in the class.

With a 4.5m reach the unloading auger gives plenty of height and reach to fill the tallest of trailers. The grain level alarms keep the driver informed of his capacity.

Both the MF 7345 S and MF 7347 S models have metal water resistant grain tank covers, electrically operated from the driver's seat. The auger position is controlled from the multifunction lever with the engagement switch right next to it on the dashboard – a simple and logical move from the operators hand to be in complete control. For night work a standard working light illuminates the auger to makes it easier to load trailers.

01. Shaker shoe arrangement.
02. 4.5m reach unloading auger.
03. High capacity sieves with vertical tags.





Ready for the harvest...

...thanks to easy maintenance

The centralised radiators provide perfect cooling for the engine, hydraulics and air conditioning. The rotary screen flips up for easy radiator cleaning and a dust extractor keeps the largest particles out in the dustiest conditions. The platform provides safe access to the rotary screen and radiators. Grease points are few and are in close proximity to each other for quick and easy maintenance.

Due to the simple mechanical design, the number of drives is minimised, saving considerable time on maintenance, so you spend more time where you need to be... harvesting!

Reservoirs and fillers for various fluids are ideally placed for checking levels or topping up. The same applies to the engine air filter.

In addition, large, hinged panels provide easy access to machine components for daily routine maintenance or quick checks.

The four major drive engagements - threshing, table, straw chopper and unloader use a simple over centre pulley system retained by spring pressure. Adjustment by spring length makes it straightforward and easy to check.

The aluminium ladder, giving access to the engine compartment, can be detached and moved around the machine to reach other components.

- 01. Conveniently placed filters make cleaning quick and easy.
- 02. Checking levels and topping up is straightforward.
- 03. Flip-up access to the radiators.
- 04. The AdBlue tank is located next to the fuel tank.
- 05. Lightweight hinged panels provide access to belt arrangements.

Cleaner engines. Impressive fuel efficiency. Lower emissions.

All Massey Ferguson combines are built this way.

Massey Ferguson continues to lead the trend for high powered, low cost, low emission engines. MF 7300 Series ACTIVA combines are powered by the latest generation, stage 3b AGCO SISU POWER engines.

All of these engines work with SCR (Selective Catalytic reduction) and a Diesel Oxidation Catalyst (DOC), inside the exhaust which reduces the amount of harmful particulates entering the atmosphere.

These electronically controlled engines are the heart of the machine and deliver the power needed for consistent and efficient harvesting in all conditions.

For you the customer, the main benefit of SCR is fuel consumption; up to 10% less than previous versions and the confidence that the engines are working in an environmentally friendly manner, meeting all EU engine regulations.



This tried and trusted system, which is familiar to other Massey Ferguson machinery, requires the use of AdBlue which is placed in a separate tank. AdBlue works in the background as an additive, reducing the percentage of harmful NOx (Nitrous oxide) emissions present in all diesel machinery emissions. AdBlue breaks the NOx emissions down into mainly Nitrogen and water.



Total support, no matter where or when!

AGCO Customer Support...providing local service to the global brand.

Massey Ferguson is a true global brand with machines operating all over the world, from revolutionary "little grey fergie" tractors to the latest high-tech tractors and combines. Have you ever wondered how we continue to provide industry-leading parts and service support to such a vast array of machines and technologies across the globe?

Behind every Massey Ferguson machine is the powerful aftersales support of AGCO's Customer Support organisation.

Our main aim is to ensure that every machine - old or new - is fully supported locally, offering every Massey Ferguson owner:

- The best service in the industry
- Low cost of ownership
- A reliable and durable machine
- Minimum machine downtime
- A high resale value

State-of the art warehousing and logistics from AGCO Parts

Of course, every Massey Ferguson dealer is fully backed-up by the AGCO Customer Support organisation which provides industry-leading parts supply through AGCO Parts' state-of-the-art warehousing and logistics. With outstanding service levels, overnight delivery and inventory covering all Massey Ferguson machines - even those over 10 years old - we only ever supply genuine parts, and we guarantee the right fit, first time.

The right aftersales solution whatever the age of machine

Whatever the age of your Massey Ferguson machine, AGCO Customer Support has the right aftersales solution to save time and money, providing appropriate, affordable and reliable servicing and maintenance solutions in every situation.

Practical local support where you need it

AGCO places great emphasis on providing the best service to our Massey Ferguson dealers and this extends beyond the exceptional servicing and maintenance solutions and parts supply:

- Expert training and specialist equipment
- Advanced diagnostic techniques
- Information retrieval technology to communicate the very latest parts and service information
- Highly skilled technical support groups

With aftersales support from AGCO Customer Support, it's not just about supplying a filter or doing an oil change. It's about providing the best solution to our customers' needs, wrapped up with industry-leading parts and service support.



Table and main crop elevator		MF 7345 S	MF 7345S MCS	MF 7347 S	MF 7347 MCS
Cutting widths available on FreeFlow	○	4.80 to 7.60	4.80 to 7.60	4.80 to 7.60	4.80 to 7.60
Cutting widths available on PowerFlow	○	5.50 to 6.20	5.50 to 6.20	5.50 to 6.20	5.50 to 6.20
TerraControl cutting height control		Standard			
AutoLevel table levelling		Standard			
Cutting frequency FF header	stroke/ min.	1254	1254	1254	1254
Cutting frequency PF header	stroke/ min.	1220	1220	1220	1220
Power Feed Roller		-	●	-	●
No. of chains		3	3	4	4
Threshing system					
Drum width		1340	1340	1600	1600
Drum diameter	mm	600	600	600	600
Threshing drum speed	rev/min	380 to 1210	380 to 1210	430 to 1310	430 to 1310
Wrapping angle - threshing concave	degrees	120	120	120	120
Concave					
Concave area	m ²	0.83	0.83	0.99	0.99
Electrical Concave setting		●	●	●	●
Independent setting front and back		●	●	●	●
Separation system					
Multi Crop Separator plus (MCS plus)		-	●	-	●
MCS plus width	mm	-	1340	-	1600
MCS plus diameter	mm	-	600	-	600
Total powered separation area	m ²	0.99	1.89	1.18	2.25
Straw walkers					
No. / No. of steps		5 / 4	5 / 4	6 / 4	6 / 4
Walker length	mm	4256	4256	4256	4256
Straw walker area	m ²	5.73	5.73	6.81	6.81
Total separation area	m ²	6.72	7.62	7.99	9.06
Cleaning system					
Fan type		Radial			
Fan speed	rev/min	350 - 1050			
Fan speed reduction kit	rev/min	270 - 840			
Returns to cylinder		●			
Total sieve area	m ²	4.67	4.67	5.81	5.81
Straw Management					
Straw chopper		●	●	●	●
64 knives		-	-	●	●
52 knives		●	●	-	-
Double serrated knives		●	●	●	●
Electrically adjustable deflectors		○	○	○	○
Chaff spreader		○	○	○	○
Single lever switch-over for straw chopper		●	●	●	●

Grain tank		MF 7345 S	MF 7345S MCS	MF 7347 S	MF 7347 MCS
Capacity	litre	8600	8600	8600	8600
Unloading rate	l/sec	85	85	85	85
Auger length	○	4.5	4.5	4.5	4.5
Unloading height	○	4.2	4.2	4.2	4.2

Engine					
Make/type		AGCO SISU POWER e ³ Selective Catalytic Reduction (SCR)			
Capacity	litre	6.6	6.6	7.4	7.4
Power (ISO) rated at 2200 rpm	hp/kW	238 / 175	238 / 175	276/203	276/203
MAX Power (ISO) at 2000 rpm		243/179	243/179		
Fuel tank capacity	litre	620	620	620	620
AdBlue	litre	80	80	80	80

Transmission					
Type / No. gears		Hydrostatic / 4			

Tyres					
Front		650/75 R 32	650/75 R 32	650/75 R 32	650/75 R 32
Rear		460/70 R 24	460/70 R 24	460/70 R 24	460/70 R 24
Front optional		710/75 R 32	710/75 R 32	710/75 R 32	710/75 R 32
Front optional		800/65 R 32	800/65 R 32	800/65 R 32	800/65 R 32
Front optional	Below 3.5m	800/65 R 32	800/65 R 32		

Cab					
XLR		Heater, air conditioning, electrically controlled rear view mirrors, air suspended seat			

Options					
High performance top sieve for maize		○	○	○	○
Fan speed reduction	rev/min	270 to 840, option			

Dimensions					
Overall length without table	mm	8910	8910	9100	9100
Width without table, standard tyres	mm	3255	3255	3485	3485
Weight	kg	12360	12760	12800	13200

Accessories					
On request		4WD rear axle, fan speed reduction, maize kit, pea and bean kit.			

● = Standard - = Not applicable/available
○ = Optional * = With Power Boost

MF 7300 ACTIVA S highlights

Versatile all-rounders, MF ACTIVA S combines are designed and built to make a significant contribution to bottom-line profitability by providing long, reliable and dependable service.

- 01 Designed to harvest all types of crop in any conditions, across the globe, from cereals to rice to maize.
- 02 Every component has been specified to ensure maximum durability and long working life.
- 03 Choice of FreeFlow or PowerFlow tables.
- 04 Robust, high-inertia cylinder with heavy-duty concave and optional secondary separating system (MCS).
- 05 5 or 6 walker options with four steps and 'active walls'.
- 06 Auto Level tables standard on all ACTIVA S combines.
- 07 Superb levels of comfort and control in the new cab layout.
- 08 Simple, mechanical design means quick and easy maintenance.
- 09 New technology AGCO SISU POWER engines offer the lowest fuel consumption.



MASSEY FERGUSON is a worldwide brand of AGCO.
© AGCO Limited. 2011 | A-English/15206/0811/1m



MASSEY FERGUSON